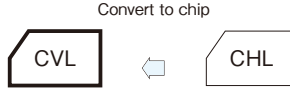




Code in front of series have been extracted from product code, which describes the segment of products, such as type and features.

- Size : $\phi 12.5 \times 10.5$ mm, compatible with surface mounting.
- Wide temperature range (-40 to 85°C), Low ESR.
- Unlike batteries, safe and high reliability without containing active and hazardous substance.
- Unlike batteries, excellent charge and discharge characteristics with no chemical reactions.
- Responds to temperature 260°C during the reflow peak.
- Ideal for industrial, smart meter, backing up of RTC's for surveillance camera, momentary power assistance of a battery, automotive etc.
- Environmental : GREEN CAP™ , RoHS compliance.



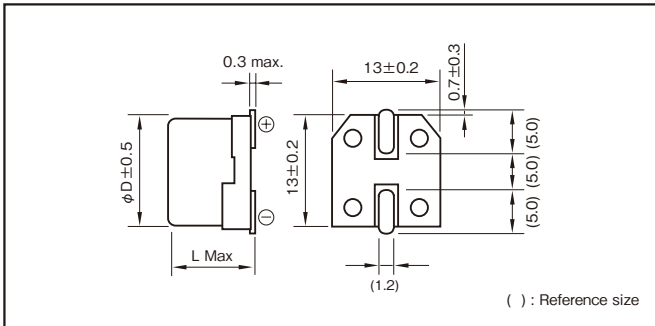
Marking color : White print on an brown sleeve

Specifications

| Item | Performance | | | |
|---|---|--|-----|------|
| Category temperature range (°C) | -40 to $+85$ | | | |
| Tolerance at rated capacitance (%) | -20 to $+80$ | | | |
| Internal resistance at 1 kHz | Rated capacitance (F) | 0.047 | 0.1 | 0.22 |
| | Internal resistance (Ω Max.) | 45 | 45 | 45 |
| Characteristics at high and low temperature | Percentage of capacitance change | Within $\pm 30\%$ of the value at 20°C | | |
| | Internal resistance | -40°C : Seven times or less of the value at 20°C 85°C : Five times or less of the value at 20°C | | |
| Endurance (85°C) | Test time | 1000 hours | | |
| | Percentage of capacitance change | Within $\pm 30\%$ of the initial measured value | | |
| | Internal resistance | Four times or less of the initial specified value | | |
| Shelf life (85°C) | Test time : 1000 hours ; Same as endurance. | | | |
| Applicable standards | Conforms to JIS C5160 - 1 (IEC 62391 - 1) | | | |

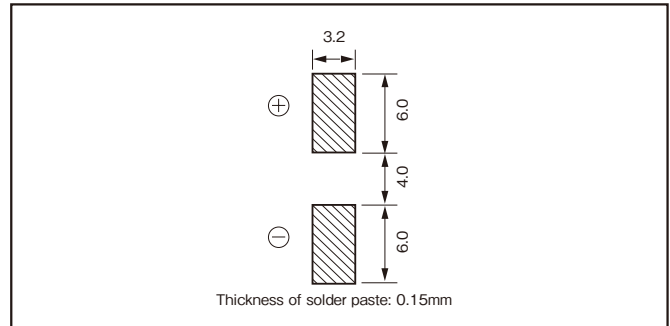
Outline Drawing

Unit : mm



Recommended land pattern size

Unit : mm



Product code system : 5.5V0.22F (*For general product)

| RS* | CVL | 224 | 5R5 | G10 | 012 | T |
|---------------|-------------|------------------|--------------|-----------|-------------------------|-----------------|
| Category code | Series code | capacitance code | Voltage code | Size code | Taping and packing code | Additional code |

Product code is refer to following table and "Product Code System" pages.

Standard Ratings

| Max. operating voltage (V) | Rated capacitance (F) | ELNA Parts No. | $\phi D \times L$ (mm) |
|----------------------------|-----------------------|--------------------|------------------------|
| 5.5 | 0.047 | RSCVL4735R5G10012T | 12.5×10.5 |
| 5.5 | 0.1 | RSCVL1045R5G10012T | 12.5×10.5 |
| 5.5 | 0.22 | RSCVL2245R5G10012T | 12.5×10.5 |

*soldering conditions are described on Individual page.