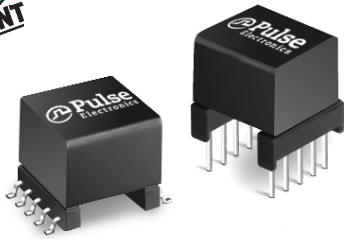


ADSL Line Transformers

For Texas Instruments' CPE Chipsets



- ADSL/ADSL2+ CPE Transformers for POTS and ISDN applications, matched to Texas Instruments AR7, AU7 and AP7 chipset
- Designed to meet EN60950 supplementary insulation requirements for working voltages up to 250Vrms

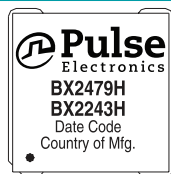
Electrical Specifications @ 25°C - Operating Temperature -40°C to +85°C

RoHS-5 Compliant Part Number	RoHS-6 Compliant Part Number	OCL (mH ±5%)	Turns Ratio (line:chip)	Isolation Voltage (Vrms)	THD @ 30kHz (dB MIN)
BX2479H	BX2479HNL	1.50	2:1	1500	-85
BX2479W ¹	BX2479WNL ¹	1.50	2:1	1500	-85
BX2243H	BX2243HNL	0.40	2:1	1500	-85
BX2443W ¹	BX2443WNL ¹	0.40	2:1	1500	-85
BX2900W ¹	BX2900WNL ¹	0.10	2:1	1500	-85

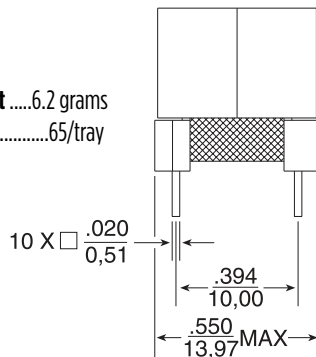
Notes: 1. Optional Tape & Reel packaging can be ordered by adding a "T" suffix to the part number (ex. BX2479WT and BX2479WNLT).

Mechanicals

BX2479H / BX2243H (and NL versions)

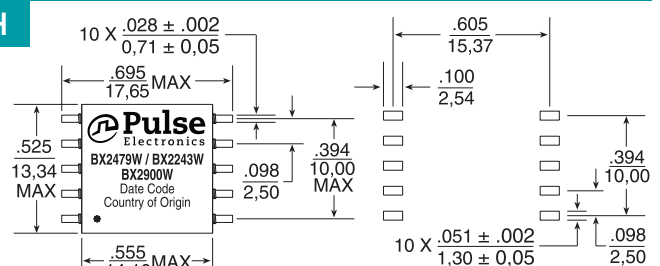


Weight6.2 grams
Tray.....65/tray



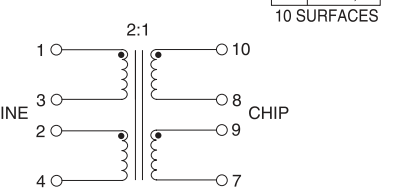
Dimensions: $\frac{\text{Inches}}{\text{mm}}$ Unless otherwise specified, all tolerances are $\pm \frac{.010}{0,25}$

BX2479W / BX2243W (and NL versions)



Weight6.2 grams
Tray.....60/tray

Schematic



For More Information

Pulse Worldwide Headquarters
12220 World Trade Drive
San Diego, CA 92128
U.S.A.

Pulse Europe
Einsteinstrasse 1
D-71083 Herrenberg
Germany

Pulse China Headquarters
B402, Shenzhen Academy of
Aerospace Technology Bldg.
10th Kejinan Road
High-Tech Zone
Nanshan District
Shenzhen, PR China 518057
Tel: 86 755 33966678
Fax: 86 755 33966700

Pulse North China
Room 2704/2705
Super Ocean Finance Ctr.
2067 Yan An Road West
Shanghai 200336
China
Tel: 86 21 62787060
Fax: 86 2162786973

Pulse South Asia
135 Joo Seng Road
#03-02
PM Industrial Bldg.
Singapore 368363

Pulse North Asia
3F, No. 198
Zhongyuan Road
Zhongli City
Taoyuan County 320
Taiwan R. O. C.
Tel: 886 3 4356768
Fax: 886 3 4356823 (Pulse)
Fax: 886 3 4356820 (FRE)

Tel: 858 674 8100
Fax: 858 674 8262

Tel: 49 7032 78060
Fax: 49 7032 7806 135

Performance warranty of products offered on this data sheet is limited to the parameters specified. Data is subject to change without notice. Other brand and product names mentioned herein may be trademarks or registered trademarks of their respective owners. © Copyright, 2012. Pulse Electronics, Inc. All rights reserved.