

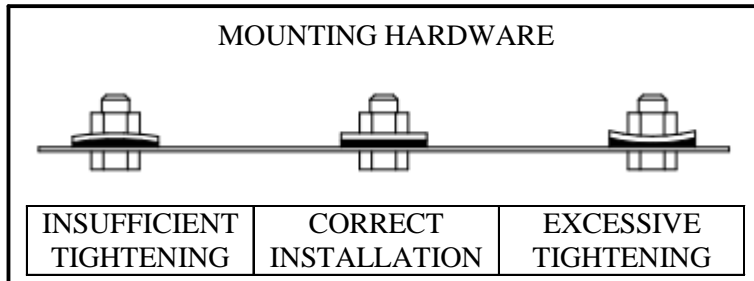
WALLMOUNT - SERIES

BUL10136
REV. H

ASSEMBLY INSTRUCTIONS FOR EN4SD, EN4TD, EN4SDSS, EN4DSC, ST, CN4SB, CN4ST, CN4SBSS & CN4STSS

NOTES:

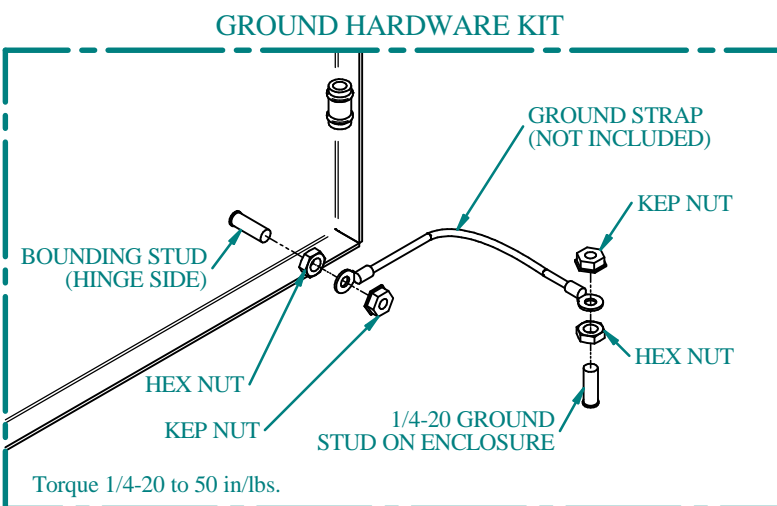
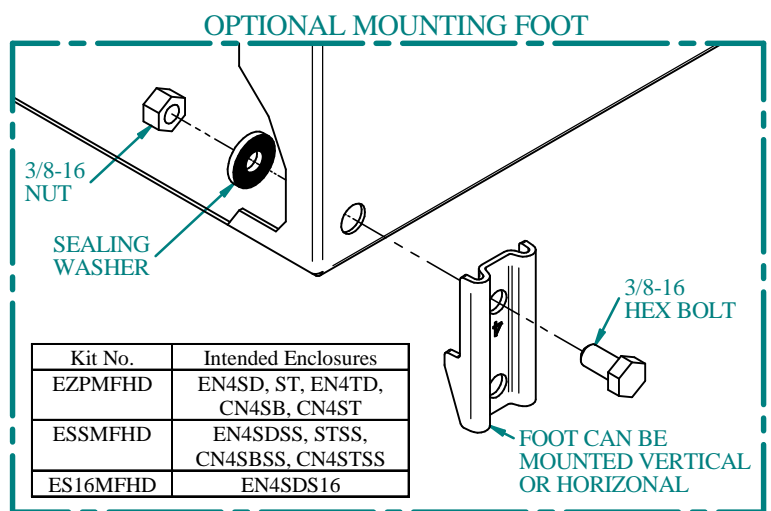
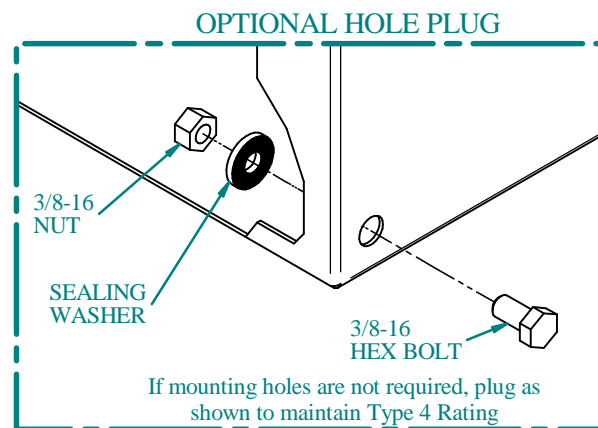
- 1) To mount enclosure using internal holes, make sure surface is flat or shim to suit. Use hex head bolts and sealing washers (rubber side against enclosure).
- 2) Tighten 3/8-16 mounting hardware as per sketch below. Washer should remain flat against enclosure surface see figure 1.1.



Mounting Foot kits are required to maintain Nema 4/4X, UL and CSA external mounting requirements.

Part No.	Material
EZPMFHD	Mild Steel (Type 4)
ESSMFHD	Type 304 Stainless Steel (Type 4X)
ES16MFHD	Type 316 Stainless Steel (Type 4X)

Figure 1.1



INNER PANEL DETAIL FOR CN4SB & CN4ST (ORDER SEPARATELY FOR EN4SD, EN4TD, ST & EN4DSC SERIES)

