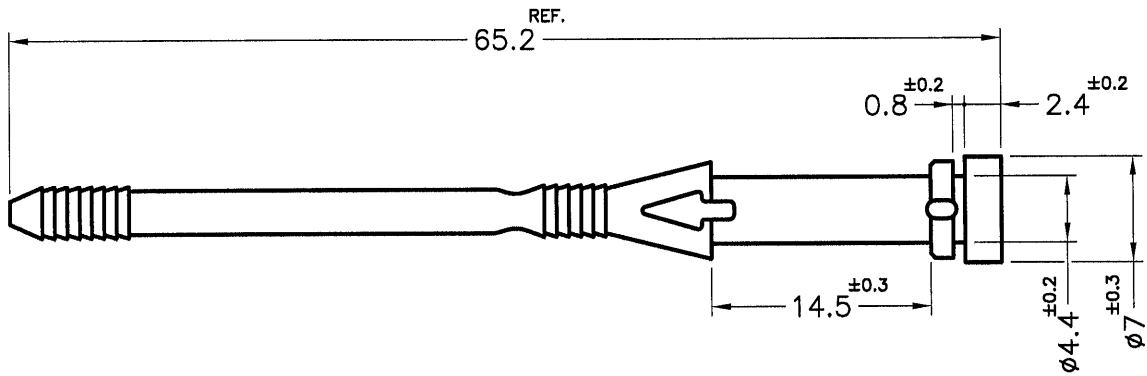

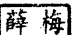



REVISIONS			
REV	DESCRIPTION	DATE	BY



MOUNTING HOLE $\phi 4.4$

NOTE:MADE OF EQUIVALENT MATERIAL.
使用同等材質

 康揚企業股份有限公司 KANG YANG HARDWARE ENTERPRISE CO., LTD. 康揚塑膠(東莞)有限公司 KANG YANG PLASTIC(DONG GUAN) CO.,LTD. 康哲電腦配件(吳江)有限公司 KANG CHE COMPUTER COMPONENTS(WUJIANG) CO.,LTD.		TITLE	FAN SNAP RIVET	SPEC. DWG.			
		MATERIAL	TPE	DATE	2004.11.01		
		HARDNESS	45°±5°	DRAWN	S.J.C		
		COLOR	BLACK	CHECK			
PART NUMBER	BUB-65G	DRAWING NUMBER	BUB-65	UNLESS OTHERWISE SPECIFIED TOLERANCE	SEE ABOVE	APPROVED	
SIZE	A4	SCALE	2:1	UNIT	mm	REV	A