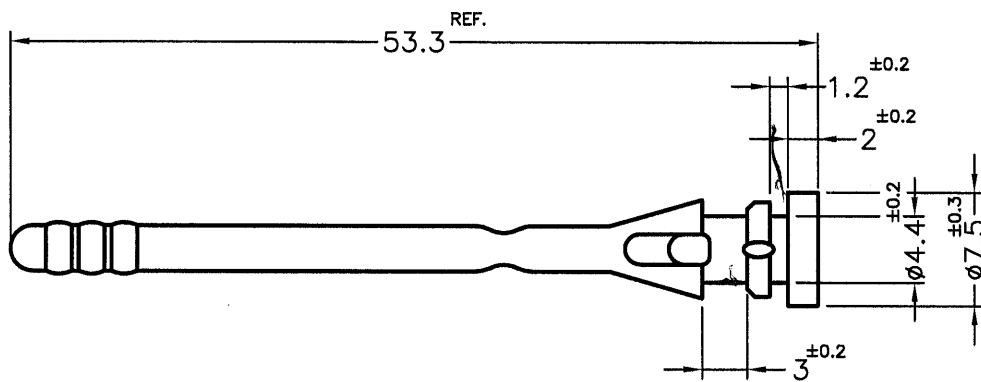


REVISIONS			
REV	DESCRIPTION	DATE	BY


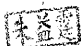


MOUNTING HOLE  $\phi 4.4$

PART NO.	HARDNESS
BUB-53G	45°±10°
BUB-53H	55°±10°

NOTE:MADE OF EQUIVALENT MATERIAL.

均可使用同等材質.

 <p>康揚企業股份有限公司 KANG YANG HARDWARE ENTERPRISE CO., LTD. 康揚塑膠(東莞)有限公司 KANG YANG PLASTIC(DONG GUAN )CO.,LTD. 康哲電腦配件(吳江)有限公司 KANG CHE COMPUTER COMPONENTS(WUJIANG) CO.,LTD.</p>		TITLE	FAN SNAP RIVET	SPEC. DWG.	
		MATERIAL	TPE	DATE	2004.06.04
		HARDNESS	SEE ABOVE	DRAWN	James
		COLOR	BLACK	CHECK	
PART NUMBER	SEE ABOVE	DRAWING NUMBER	BUB-53	UNLESS OTHERWISE SPECIFIED TOLERANCE	SEE ABOVE
SIZE	A4	SCALE	2:1	UNIT	mm
REV	B	APPROVED	