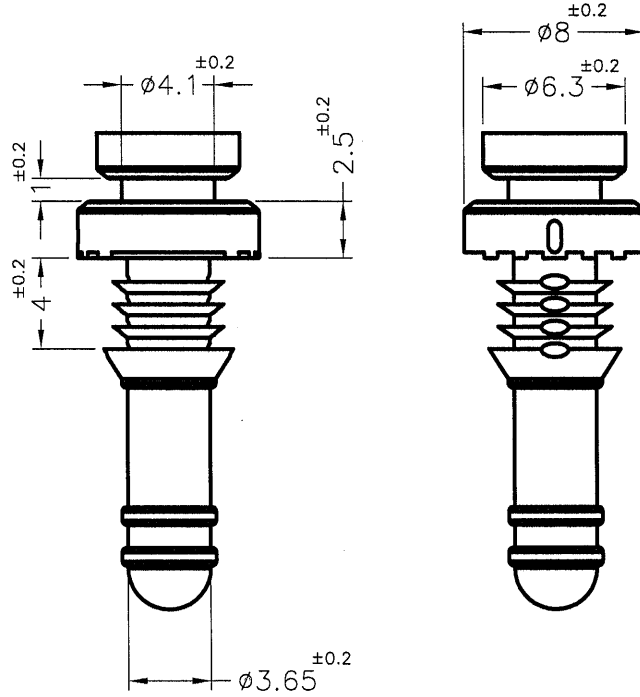

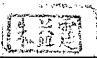



REVISIONS			
REV	DESCRIPTION	DATE	BY



PART NO.	MATERIAL	HARDNESS
BUB-171G(B)	TPE	45°±10°
BUB-171H(B)	TPE	55°±10°
BUB-171V0(B)	TPE UL94V-0	79°±10°

NOTE:MADE OF EQUIVALENT MATERIAL.
均可使用同等材質.

 <p>康揚企業股份有限公司 KANG YANG HARDWARE ENTERPRISE CO., LTD. 康揚塑膠(東莞)有限公司 KANG YANG PLASTIC(DONG GUAN)CO.,LTD. ISO 9001 ISO 14001 QC 080000 康哲電腦配件(吳江)有限公司 KANG CHE COMPUTER COMPONENTS(WUJIANG) CO.,LTD.</p>	TITLE FAN SNAP RIVET		SPEC. DWG.	
	MATERIAL SEE ABOVE		DATE 2014.06.24	
	HARDNESS SEE ABOVE		DRAWN ROBERT	
	COLOR BLACK		CHECK 	
	UNLESS OTHERWISE SPECIFIED TOLERANCE SEE ABOVE		APPROVED 	
PART NUMBER SEE ABOVE	DRAWING NUMBER BUB-171			
SIZE A4	SCALE 3:1	UNIT mm	REV C	