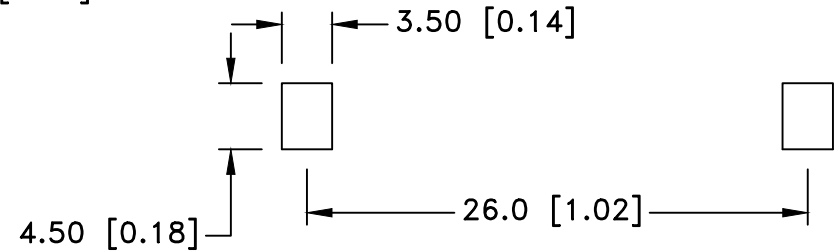
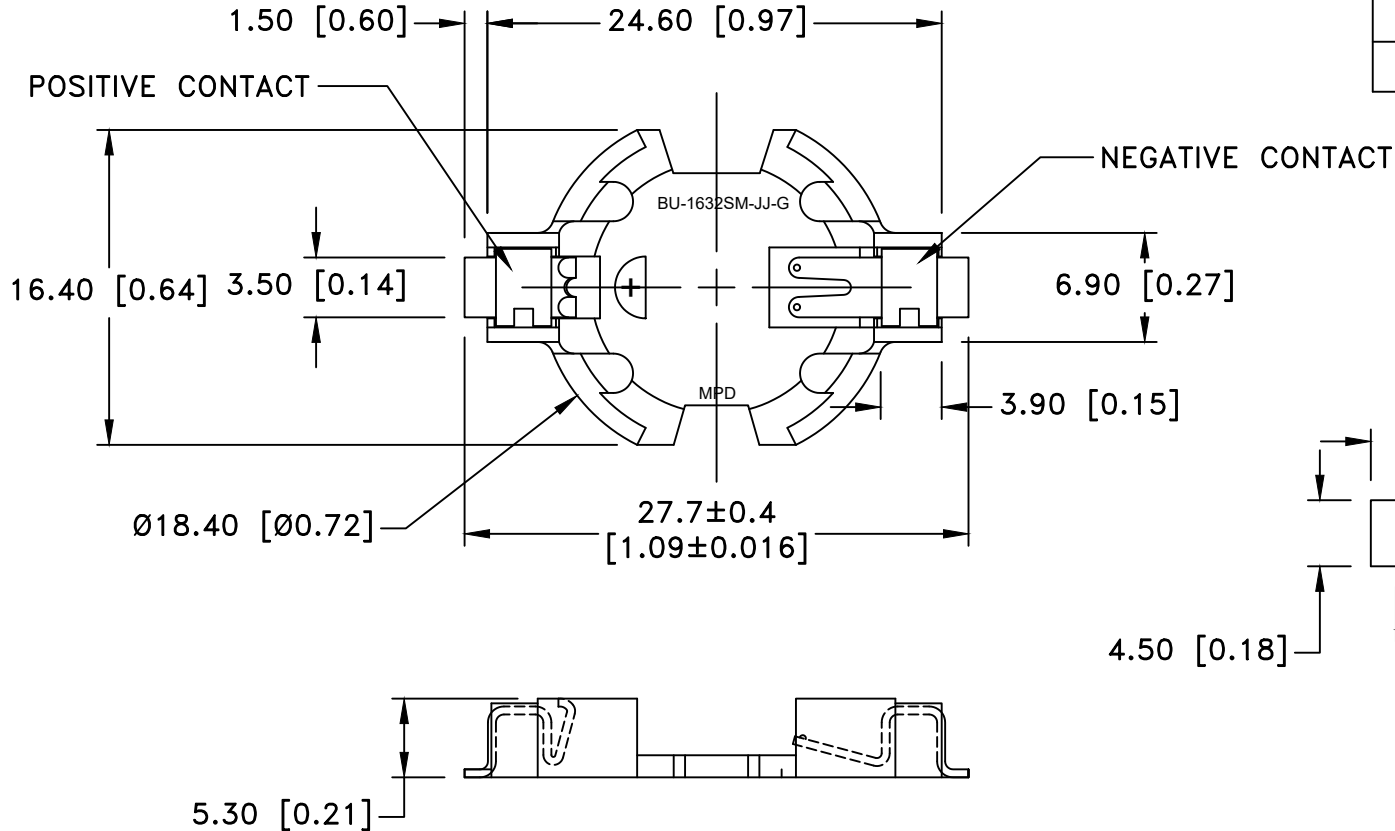



Date	SYM	REVISION RECORD	AUTH	DR.	CK.
01/27/17	C	Updated UL File number	T.B.	B.S.	
11/07/19	D	Added weight of the part	T.B.	B.S.	



PCB LAYOUT

SPECIFICATIONS:

- * Holder material- Zenite 30% glass reinforced Liquid Crystal Polymer resin, UL File No. E344082, UL94V-0
- * Color: Off White
- * Contacts : 0.020" thick PHOS-BRONZE, GOLD FLASH
- * Temperature range: -40°C to +280°C
- * Vibration Test: 10-50-10 Hz swept in 60 seconds
X,Y,Z direction: 1 hour each direction
- * Result: No dislodgement of the cell or damage
No discontinuity over 10 micro-seconds
- * Shock Test: Half sine wave acceleration 150G. 6 milli-seconds
3 shock pulses each direction per axis, total of 18 pulses
- * Result: No evidence of physical damage
- * Approximate weight: 0.92g
- * ROHS COMPLIANT

Tolerance (Except as noted)	 Memory Protection Devices, Inc 200 Broad Hollow Road, Farmingdale, New York 11735		
	decimal ±.5 (.020)	Scale	Drawn By B.S. Approved By T.B.
Fractional ± .8 (.030)	Title SURFACE MOUNT BATTERY HOLDER FOR CR1632		
Angular ± 3°	Date 11/07/19	Drawing Number BU1632SM-JJ-GTR	