

Bluetooth Mesh Motion / Light Fixture Sensor

BTX-D01-CCTFX

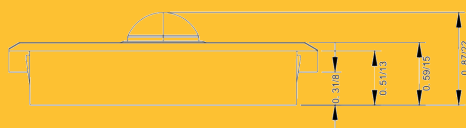
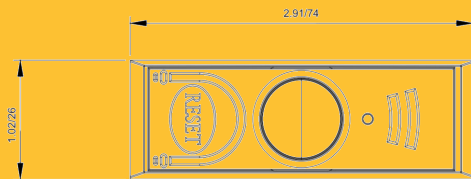
The BTX-D01-CCTFX is an Advanced Network Control for light fixtures that uses Bluetooth mesh communication for fixture to fixture grouping, wireless switch communication and mobile app based commissioning.

The Fixture sensor is perfect for automatic lighting control in low bay applications 7-15 ft (2.5-5m)

Each unit supports 2 channels of 0-20V dimming for controlling tunable white fixtures. It also includes a light sensor for Daylight harvesting to minimize energy use when sufficient ambient light is available.

Mobile apps for either iOS or Android allow configuration of operating parameters, grouping, and schedules. No gateway is needed as the Fixture Sensors communicate directly with the mobile app.

The system uses encrypted communications with security credentials shared through QR Codes for either Admin or User access. No passwords, or web access is needed or supported. All configuration is performed with direct communication with the Fixture Sensor through the mobile app.

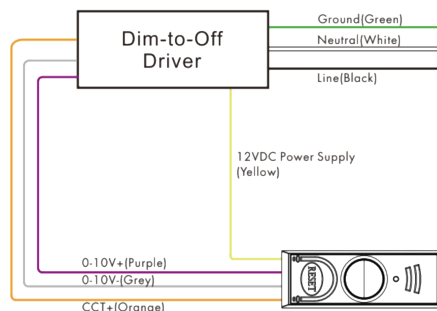


- 12VDC powered - Use w/ Dim to Off driver with Aux power output
- 0-10V CCT dimming Advanced Network Control
 - High end trim - adjust maximum light level
 - Vacancy / Occupancy sensor to dim then turn off
 - Fixture Grouping with Bluetooth mesh wireless communication
 - Daylight harvesting
 - Scheduling - time based on/off or scene recall
 - Color Tuning
- iOS and Android App based commissioning
- Scene recall
- Walk Test mode for motion sensor

Sensor/Relay



WIRING DIAGRAM



SPECIFICATIONS	BTX-D01-OCC
Power	Input Voltage: 12 DC 35mA, Standby power: 0.45W
Load	0-10V sink 20mA No relay, requires Dim to Off driver
Motion sensor	Mounting height: 8-15 ft (2.5 - 5 m), Detection range: 48 ft max.
Dimensions	2.91 x 1.02 x 0.87 in (74 x 26 x 22 mm) Fixture Die Cut: 20.8 x 64.8mm
Environmental	-30 to ~131 °F (-30 to +55°C) Operating Temperature IP20
Ambient Light Level Range	30-2500 Lux
Approvals	UL8750 Safety FCC Part 15