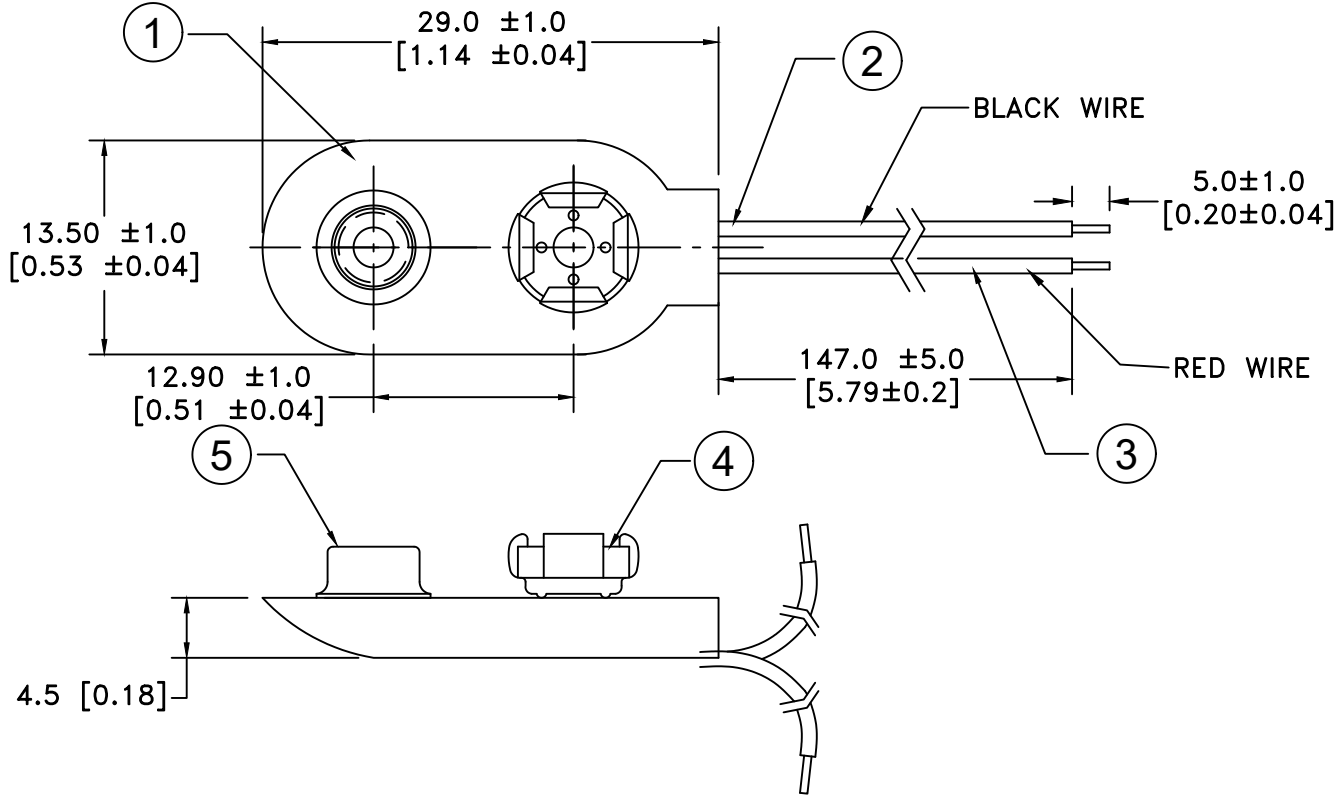


| Date    | SYM | REVISION RECORD        | AUTH | DR.  | CK. |
|---------|-----|------------------------|------|------|-----|
| 6/07/19 | D   | UPDATED ALL DIMENSIONS | T.B. | B.S. |     |
|         |     |                        |      |      |     |
|         |     |                        |      |      |     |
|         |     |                        |      |      |     |



NOTE:  
 ORIENTATION OF SNAPS AND WIRES VARIES  
 AND IS SHOWN FOR REFERENCE ONLY.  
 RED WIRE TO POSITIVE CONTACT.  
 BLACK WIRE TO NEGATIVE CONTACT.

ROHS COMPLIANT

| N0. | PART NAME     | MATERIAL                               | QTY. | Tolerance<br>(Except as noted) | MPD Memory Protection Devices, Inc<br>200 Broad Hollow Road, Farmingdale, New York 11735 |                  |                        |  |
|-----|---------------|--|------|--------------------------------|--|------------------|------------------------|--|
| 1   | COVER         | PVC COVER OVER FIBERBOARD              | 1    | decimal<br>±.5 (.020)          | Scale  | Drawn By B.S.    |                        |  |
| 2   | BLACK WIRE(-) | 24 AWG, UL-1007, CSA TR-64, 300V, 80°C | 1    |                                |  | Approved By T.B. |                        |  |
| 3   | RED WIRE (+)  | 24 AWG, UL-1007, CSA TR-64, 300V, 80°C | 1    | Fractional<br>± .8 (.030)      | Title<br>9 VOLT BATTERY SNAP-I STYLE-6" WIRE LEADS                                       |                  |                        |  |
| 4   | FEMALE SNAP   | BRASS, NICKLE PLATED                   | 1    |                                | Angular<br>± 3°  | Date<br>6/07/19  | Drawing Number<br>BS6I |  |
| 5   | MALE SNAP     | BRASS NICKLE PLATED                    | 1    |                                |  |                  |                        |  |