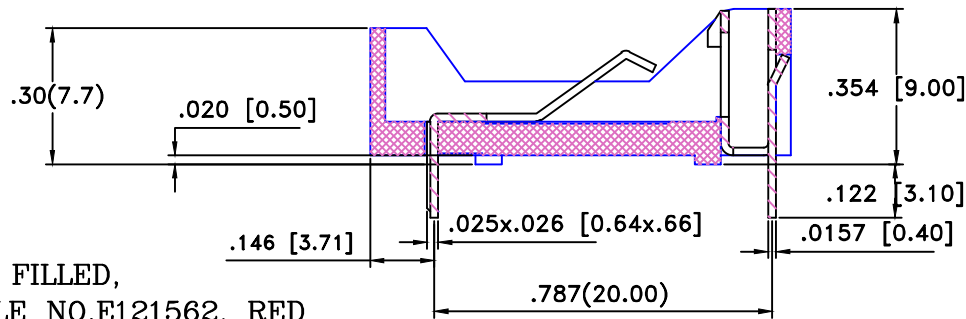
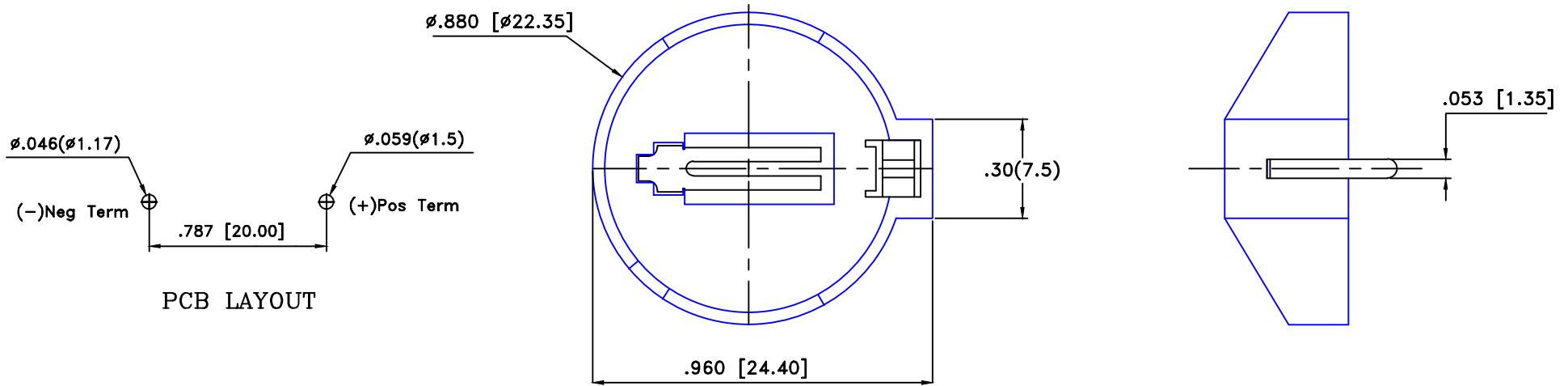


Date	SYM	REVISION RECORD	AUTH	DR.	CK.
08/07/19	C	UPDATED SPECIFICATIONS	T.B.	B.S.	
10/18/19	D	ADDED WEIGHT OF THE PART	T.B.	B.S.	



**MATERIAL**

BODY: PBT 30% GLASS FILLED,  
UL94V-0, UL FILE NO.E121562, RED

CONTACT: PHOSPHOR BRONZE

**FINISH**

CONTACT: NICKEL PLATED OVERALL

**SPECIFICATIONS**

APPLICATION FOR 3V LITHIUM BATTERY, CR2032 OR BR2032

INSULTOR RESISTANCE: 5000 mΩ MIN.


OPPERATION TEMPERATURE: -55°C TO +105°C

DURABILITY: 50 CYCLES MIN

CONTACT RESISTANCE: 30 mΩ MAX

ROHS COMPLIANT

Weight: 1.83g

Tolerance (Except as noted)	 <b>Memory protection Devices, Inc</b> 200 Broad Hollow Road, Farmingdale, New York 11735		
	decimal ±.5 (.020)	Scale 4=1	Drawn By T.S. Approved By T.B.
Fractional ± .8 (.030)	Title CR2032 BATTERY HOLDER WITH EASY RELEASE CLIP		
Angular ± 3°	Date 10/18/19	Drawing Number BS-7-RED	