

**bq2420x Single-Chip Li-Ion/
Li-Pol Charge Management IC
for Current-Limited
Applications Evaluation Module**

User's Guide

IMPORTANT NOTICE

Texas Instruments Incorporated and its subsidiaries (TI) reserve the right to make corrections, modifications, enhancements, improvements, and other changes to its products and services at any time and to discontinue any product or service without notice. Customers should obtain the latest relevant information before placing orders and should verify that such information is current and complete. All products are sold subject to TI's terms and conditions of sale supplied at the time of order acknowledgment.

TI warrants performance of its hardware products to the specifications applicable at the time of sale in accordance with TI's standard warranty. Testing and other quality control techniques are used to the extent TI deems necessary to support this warranty. Except where mandated by government requirements, testing of all parameters of each product is not necessarily performed.

TI assumes no liability for applications assistance or customer product design. Customers are responsible for their products and applications using TI components. To minimize the risks associated with customer products and applications, customers should provide adequate design and operating safeguards.

TI does not warrant or represent that any license, either express or implied, is granted under any TI patent right, copyright, mask work right, or other TI intellectual property right relating to any combination, machine, or process in which TI products or services are used. Information published by TI regarding third-party products or services does not constitute a license from TI to use such products or services or a warranty or endorsement thereof. Use of such information may require a license from a third party under the patents or other intellectual property of the third party, or a license from TI under the patents or other intellectual property of TI.

Reproduction of information in TI data books or data sheets is permissible only if reproduction is without alteration and is accompanied by all associated warranties, conditions, limitations, and notices. Reproduction of this information with alteration is an unfair and deceptive business practice. TI is not responsible or liable for such altered documentation.

Resale of TI products or services with statements different from or beyond the parameters stated by TI for that product or service voids all express and any implied warranties for the associated TI product or service and is an unfair and deceptive business practice. TI is not responsible or liable for any such statements.

Mailing Address:

Texas Instruments
Post Office Box 655303
Dallas, Texas 75265

EVM IMPORTANT NOTICE

Texas Instruments (TI) provides the enclosed product(s) under the following conditions:

This evaluation kit being sold by TI is intended for use for **ENGINEERING DEVELOPMENT OR EVALUATION PURPOSES ONLY** and is not considered by TI to be fit for commercial use. As such, the goods being provided may not be complete in terms of required design-, marketing-, and/or manufacturing-related protective considerations, including product safety measures typically found in the end product incorporating the goods. As a prototype, this product does not fall within the scope of the European Union directive on electromagnetic compatibility and therefore may not meet the technical requirements of the directive.

Should this evaluation kit not meet the specifications indicated in the EVM User's Guide, the kit may be returned within 30 days from the date of delivery for a full refund. THE FOREGOING WARRANTY IS THE EXCLUSIVE WARRANTY MADE BY SELLER TO BUYER AND IS IN LIEU OF ALL OTHER WARRANTIES, EXPRESSED, IMPLIED, OR STATUTORY, INCLUDING ANY WARRANTY OF MERCHANTABILITY OR FITNESS FOR ANY PARTICULAR PURPOSE.

The user assumes all responsibility and liability for proper and safe handling of the goods. Further, the user indemnifies TI from all claims arising from the handling or use of the goods. Please be aware that the products received may not be regulatory compliant or agency certified (FCC, UL, CE, etc.). Due to the open construction of the product, it is the user's responsibility to take any and all appropriate precautions with regard to electrostatic discharge.

EXCEPT TO THE EXTENT OF THE INDEMNITY SET FORTH ABOVE, NEITHER PARTY SHALL BE LIABLE TO THE OTHER FOR ANY INDIRECT, SPECIAL, INCIDENTAL, OR CONSEQUENTIAL DAMAGES.

TI currently deals with a variety of customers for products, and therefore our arrangement with the user is **not exclusive**.

TI assumes **no liability for applications assistance, customer product design, software performance, or infringement of patents or services described herein**.

Please read the EVM User's Guide and, specifically, the EVM Warnings and Restrictions notice in the EVM User's Guide prior to handling the product. This notice contains important safety information about temperatures and voltages. For further safety concerns, please contact the TI application engineer.

Persons handling the product must have electronics training and observe good laboratory practice standards.

No license is granted under any patent right or other intellectual property right of TI covering or relating to any machine, process, or combination in which such TI products or services might be or are used.

Mailing Address:

Texas Instruments
Post Office Box 655303
Dallas, Texas 75265

EVM WARNINGS AND RESTRICTIONS

It is important to operate this EVM within the input voltage range of 3.0–13.5 V, output of up to 4.2 V and 0.5 A, and maximum power dissipation of 1.0 W.

Exceeding the specified input range may cause unexpected operation and/or irreversible damage to the EVM. If there are questions concerning the input range, please contact a TI field representative prior to connecting the input power.

Applying loads outside of the specified output range may result in unintended operation and/or possible permanent damage to the EVM. Please consult the EVM User's Guide prior to connecting any load to the EVM output. If there is uncertainty as to the load specification, please contact a TI field representative.

During normal operation, some circuit components may have case temperatures greater than 50°C. The EVM is designed to operate properly with certain components above 50°C as long as the input and output ranges are maintained. These components include but are not limited to linear regulators, switching transistors, pass transistors, and current sense resistors. These types of devices can be identified using the EVM schematic located in the EVM User's Guide. When placing measurement probes near these devices during operation, please be aware that these devices may be very warm to the touch.

Mailing Address:

Texas Instruments
Post Office Box 655303
Dallas, Texas 75265

Contents

1	Introduction	1-1
1.1	Background	1-2
1.2	Features	1-2
1.3	Kit Contents	1-3
1.4	Performance Specification Summary	1-3
1.5	Ordering Information	1-3
2	Test Summary	2-1
2.1	Setup	2-2
2.2	Test Procedure	2-2
3	Schematic, Physical Layouts, and Bill of Materials	3-1
3.1	Schematic	3-2
3.2	Physical Layouts	3-2
3.2.1	Board Layouts	3-2
3.3	Bill of Materials	3-4
3.4	Reference	3-4

Figures

3-1	bq2420xEVM Schematic Diagram	3-2
3-2	Top Layer	3-2
3-3	Bottom Layer	3-3
3-4	Assembly Layer	3-3

Tables

1-1	Performance Specification Summary	1-3
1-2	Feature Sets of the bq2420x Family	1-3
2-1	I/O and Jumper Connections	2-2
3-1	Bill of Materials for SLUP141–bq2420xEVM	3-4

Introduction

This user's guide describes the bq2420x evaluation module (SLUP141), which conveniently evaluates a charge-management solution for portable applications using the bq2420x product family. This complete, designed-and-tested charger delivers up to 500 mA of continuous charge current for single-cell Li-Ion or Li-Pol applications using a current-limited power supply.

Topic	Page
1.1 Background	1-2
1.2 Features	1-2
1.3 Kit Contents	1-3
1.4 Performance Specification Summary	1-3
1.5 Ordering Information	1-3

1.1 Background

The bq2420x series are simple Li-Ion linear charge management devices for low-cost and space-limited charger applications. The bq2420x series offer integrated power FET, high-accuracy voltage regulation, temperature monitoring, charge status, and charge termination—all in a single IC.

The bq2420x works with a current-limited, wall-mount transformer and therefore does not provide any current regulation. However, these devices offer a fixed internal current limit to prevent damage to the internal powerFET. A time-limited preconditioning phase conditions deeply discharged cells. Once the battery reaches the charge voltage, the voltage-regulation loop takes over and completes the charge cycle. Charge is terminated on the basis of minimum current. An internal charge timer provides a backup safety for charge termination.

Other standard features include an automatic sleep mode activated when V_{CC} falls below the battery voltage and a recharge feature activated when the battery voltage falls below the V_{RCH} threshold.

In addition to the standard features, the core product provides two additional enhancements: temperature monitoring and status display. The temperature-sense circuit continuously measures battery temperature using an external thermistor and inhibits charge until the battery temperature is within the user-defined thresholds. The STAT pin indicates three conditions of charger operation: *charge-in-progress*, *charge complete*, and *fault*. This output can be used to drive an LED or to interface with a microcontroller.

1.2 Features

- Performance evaluation of a charge-management solution for portable applications using the bq2420x product family
- Complete designed-and-tested charger
- Integrated powerFET
- High-accuracy voltage regulation
- Temperature monitoring
- Charge status reporting
- Charge termination
- Up to 500 mA of continuous charge current for single-cell Li-Ion or Li-Pol applications using a current-limited power supply

1.3 Kit Contents

- bq242xx evaluation module (SLUP141)
- Set of support documentation

1.4 Performance Specification Summary

This section summarizes the performance specifications of the EVM. Table 1–1 gives the performance specifications of the EVM.

Table 1–1. Performance Specification Summary

Specification	Test Conditions	Min	Typ	Max	Unit
Input dc voltage, V_{DC}		$V_{REG} + 0.8$		13.5	V
Battery charge current, I_{CHG}	See Note	0.4	0.5	0.6	Amps
Battery voltage regulation, V_{REG}	Full battery		4.10		V
Battery voltage regulation, V_{REG}	Full battery		4.20		V
Power dissipation, P_D	$(V_{in} - V_{out}) \times I_{load}$			1.0	W

Note: Battery charge current must be limited by the external supply.

1.5 Ordering Information

Table 1–2. Feature Sets of the bq2420x Family

Part Number	Package	Functions		Regulation Voltage
		STAT	Temp Sense	
bq24200DGN	DGN—8 Pin	X	X	4.2 V
bq24201DGN	DGN—8 Pin	X	X	4.1 V
bq24202DGN	DGN—8 Pin	X		4.2 V
bq24203DGN	DGN—8 Pin	X		4.1 V
bq24204DGN	DGN—8 Pin			4.2 V
bq24205DGN	DGN—8 Pin			4.1 V



Test Summary

This chapter shows the test setups used, and the tests performed, in designing the bq2420xEVM.

Topic	Page
2.1 Setup	2-2
2.2 Test Procedure	2-2

2.1 Setup

The BQ2420X EVM board requires a current-limited dc power source to provide input power and a battery-pack charge current. The test setup connections and jumper setting selections are listed in Table 2–1.

Table 2–1. I/O and Jumper Connections

Jack	Connect To:
J1–DC+	Power supply positive
J1–DC–	Power supply ground
J2 (Jumper)	Normally connected. Option for adding current limiting resistor on board
J3 (STAT Jumper)	Option for connecting STAT pin externally
J4–BAT+	Positive battery pack terminal
J4–BAT–	Negative battery pack terminal
J4–TS	Thermistor connection
J4–BAT–	Negative battery pack terminal
J5– STAT	Charge status output
J5–DC–	Power supply ground

2.2 Test Procedure

Set up the evaluation board as described above, by making the necessary I/O connections and jumper selections.

Note:

This EVM is designed specifically to work with a current-limited dc power supply. Before test and evaluation, it is important to verify that the maximum power dissipation on the IC is not exceeded: $P_{(MAX)} = 1.0$ watts.

- 1) Select a power supply with the following specifications:
 - DC output voltage at the rated current: 3–5 V
 - DC no-load output voltage: 7–10 V
 - Rated current: 300–500 mA
- 2) The bq2420x enters preconditioning mode if the battery is below the LowV threshold. In this mode, the bq2420x precharges the battery with a low current (typically 13 mA) for approximately 30 minutes. If the battery does not reach the LowV threshold after this period, then the charge current is terminated, and the bq2420x enters fault mode. Both LEDs illuminate in fault mode. Toggling input power or battery replacement resets fault mode.
- 3) Once charged to the LowV-stop threshold, the battery enters fast-charge mode. The external power supply limits the charge current during the initial stage of charge. Note that bq2420x does not provide any current regulation.

- 4) Once the battery reaches the voltage limit (4.1 V or 4.2 V), the bq2420x begins the voltage regulation phase of the charge.
- 5) The battery remains at the fast charge mode until either the charge timer expires or taper current is detected.
- 6) If the battery discharges down to the recharge threshold, the charger starts fast charging.



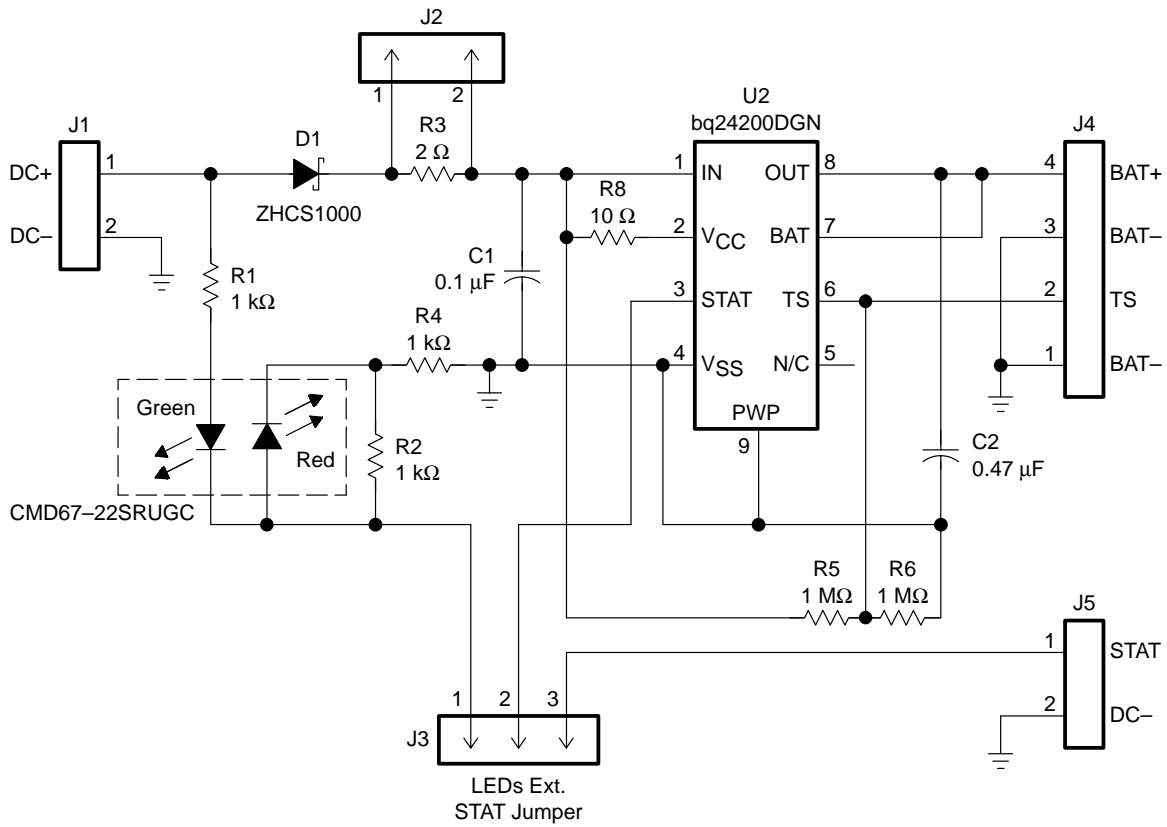
Schematic, Physical Layouts, and Bill of Materials

This chapter contains the bq2420xEVM schematic diagram, board layout, assembly drawings and bill of materials.

Topic	Page
3.1 Schematic	3-2
3.2 Physical Layouts	3-2
3.3 Bill of Materials	3-4
3.4 Reference	3-4

3.1 Schematic

Figure 3–1. bq2420xEVM Schematic Diagram



3.2 Physical Layouts

3.2.1 Board Layouts

Figure 3–2. Top Layer

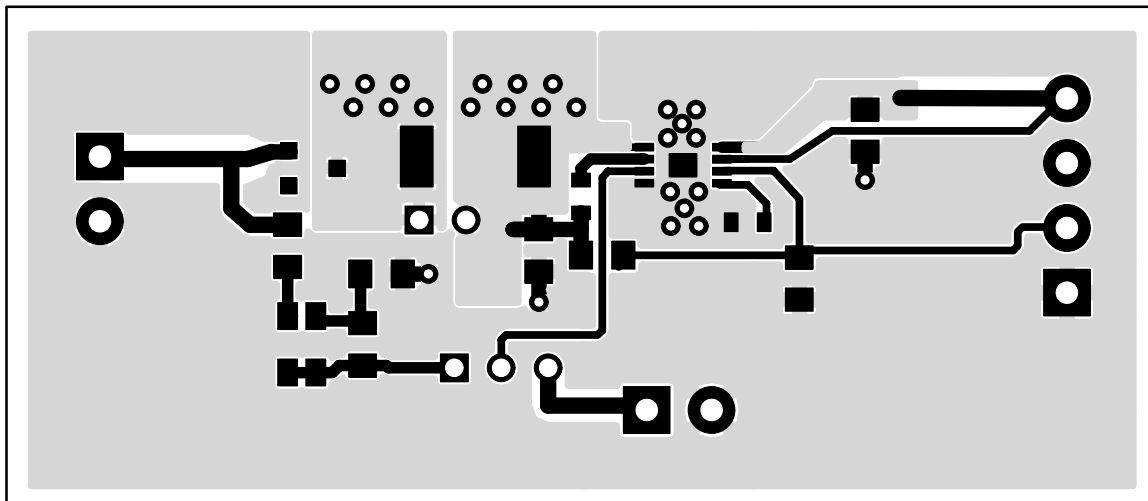


Figure 3–3. Bottom Layer

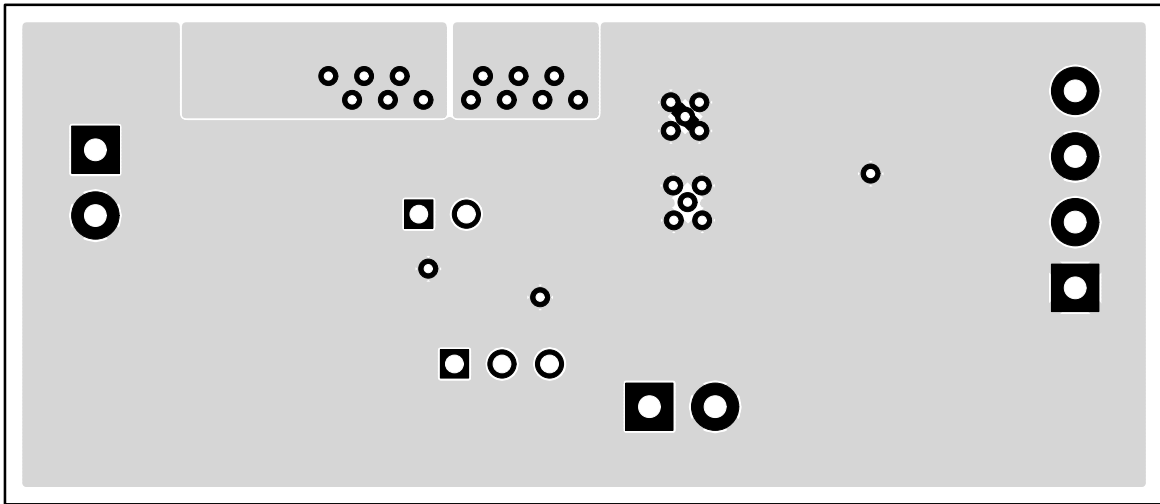
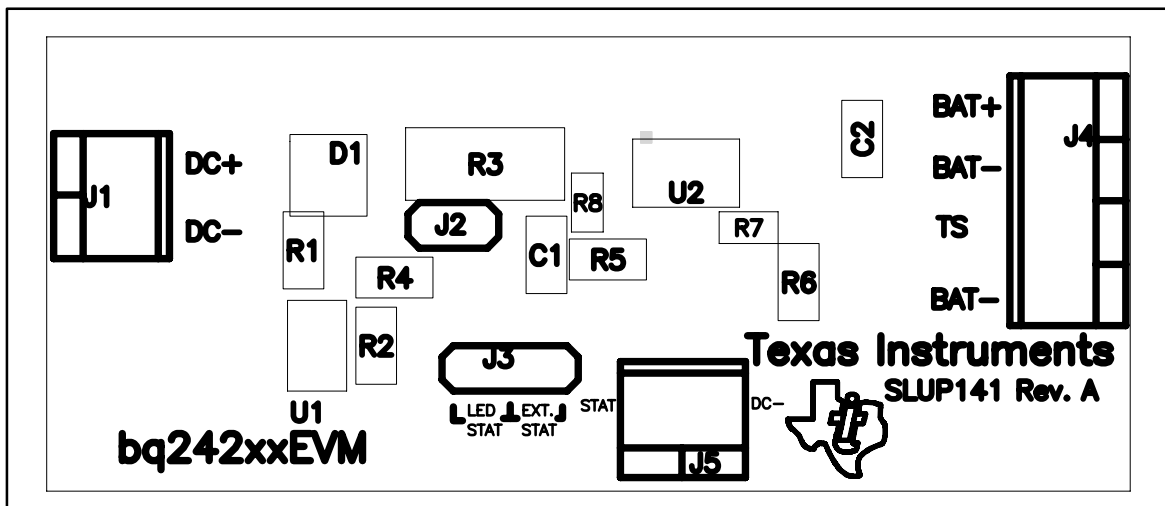


Figure 3–4. Assembly Layer



3.3 Bill of Materials

This section contains the bill of materials for the SLUP141.

Table 3–1 lists materials required for the DM2014H.

Table 3–1. Bill of Materials for SLUP141–bq2420xEVM

RefDes	Count	Description	Size	MFR	Part Number	Area
C1	1	Capacitor, ceramic, 0.1 μ F, 16 V, X7R	805	Panasonic	ECJ–2VB1C104K	10560
C2	1	Capacitor, ceramic, 0.47 μ F, 16 V, X7R	805	Panasonic	ECJ–2YB1C474K	10560
D1	1	Diode, Schottky, 1000 mA, 40 V	SOT23	Vishay–Liteon	ZHCS1000	14105
J1, J5	2	Terminal block, 2 pin, 6 A, 3,5 mm	75525	OST	ED1514	6/21/00 21:46
J2	1	Header, 2 pin, 100-mil spacing, (36-pin strip)	23100	Sullins	PTC36SAAN	6/21/00 21:46
J3	1	Header, 3 pin, 100-mil spacing, (36-pin strip)	34100	Sullins	PTC36SAAN	6/21/00 21:46
J4	1	Terminal block, 4 pin, 6 A, 3,5mm	148400	OST	ED1516	6/21/00 21:46
R1, R2, R4	3	Resistor, chip, 1 k Ω , 1/10–W, 1%	805	Std	Std	10560
R3	0	Resistor, chip, 2.0 Ω , 1 W, 1%	2512		WSL-2512-xx 1% R86	35100
R5, R6	2	Resistor, chip, 1 M Ω , 1/10 W, 1%	805	Std	Std	10560
R7	0	Resistor, NOT USED OR NEEDED	603	Std	Std	5650
R8	1	Resistor, chip, 10 Ω , 1/16–W, 1%	603	Std	Std	5650
U1	1	Diode, LED, Bicolor, Green/Red, 20 mA, 25/40 mcd	24360	Chicago Miniature	CMD67–22SRUGC	
U2	1	IC, charge management, linear Li-Ion, .5 A, 13 V VCC max., 4.2 Vreg	DGN8	TI	bq24200DGN	35250
PWB	1	PWB, SLUP141 (bq2420x)				6/21/00 21:46

- Notes:**
- 1) These assemblies are ESD-sensitive; observe ESD precautions.
 - 2) These assemblies must be clean and free from flux and all contaminants. Use of no-clean flux is not acceptable.
 - 3) These assemblies must comply with workmanship standards IPC–A–610 Class 2.

3.4 Reference

- 1) bq2420x data sheet, literature number SLUS501A