

BOX2-P14

Handheld plastic enclosure for up to three Size1 and Size2 PCBs



AVAILABLE STYLES:

GREY

PART#: BOX2-P14-GY

BLACK

PART#: BOX2-P14-BK

TRANSPARENT RED

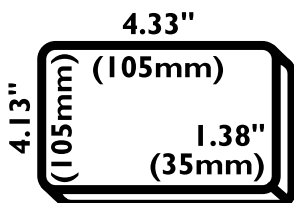
PART#: BOX2-P14-RT

TRANSPARENT BLUE

PART#: BOX2-P14-BT

BOX2-P14 Features:

- Electronic instrument enclosure fits a combination of up to three Size1 & Size2 PCBs.
- ABS plastic construction with removable end panels.
- Recessed top for adhesive overlay or membrane keypad.
- Smooth top for clear display readability with transparent enclosures.
- Textured finish hides fingerprints.
- Self-tapping screws provided for securing enclosure.



SIZE 2



BOX2-P14 Details:

The BOX2-P14 is a handheld electronic instrument enclosure constructed from ABS plastic. A combination of up to three Size1 PCBs (80 x 50mm / 3.15 x 1.97") and Size2 PCBs (100 x 80mm / 3.94 x 3.15") can be installed with the built-in PCB standoffs, with configuration options shown below.

The plastic enclosure is easy to drill and features a textured finish that hides fingerprints and provides additional grip. Two removable end panels can be drilled for connectors.

The enclosure's top panel features a recessed top for an adhesive overlay or membrane keypad. The recessed top on the transparent red and blue enclosure have a clear smooth finish designed for easy viewing of displays.



Lap joint construction provides an IP54 protection rating against dust accumulation and splashing water. Self-tapping screws provided to close the enclosure. Black and transparent blue enclosures come with black screws while grey and transparent red come with nickel finish screws. PCB standoffs use standard 4-40 0.25" machine screws (not provided).

PCB Configuration Options:



Option #1 - Two PCBs
Two Size2 PCBs



Option #2 - Three PCBs
Two Size1 PCBs +
Single Size2 PCB

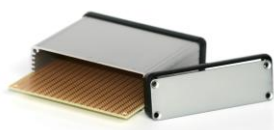


Option #3 - Two PCBs
Single Size1 PCB +
Single Size2 PCB

Related Products:



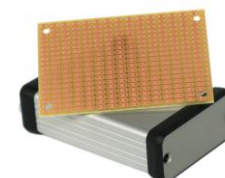
BOX1-P14



KBOX2-AL-PR2H



KIT-1553B



KBOX1-AC-PR2H

Color Options:



Black
(BOX2-P14-BK)



Grey
(BOX2-P14-GY)

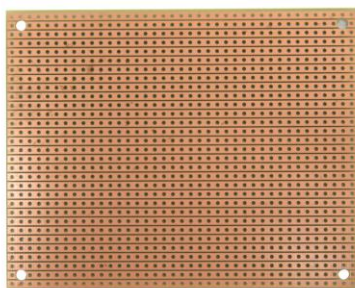


Transparent Red
(BOX2-P14-RT)

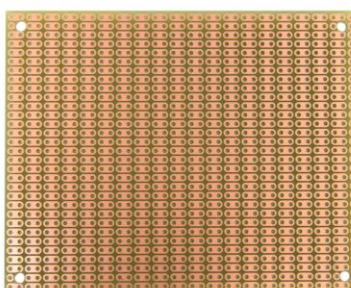


Transparent Blue
(BOX2-P14-BT)

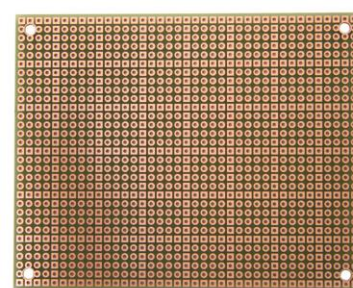
Compatible BusBoard PCBs:



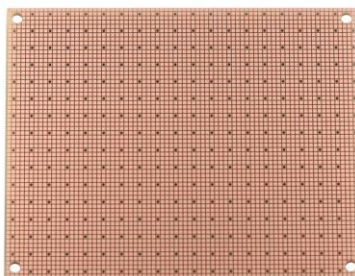
StripBoard
ST1
ST2



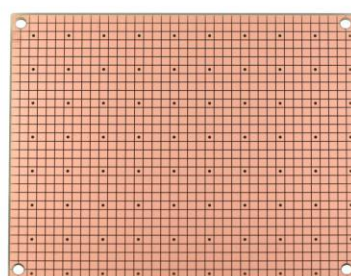
2-Hole ProtoBoard
PR2H1
PR2H2



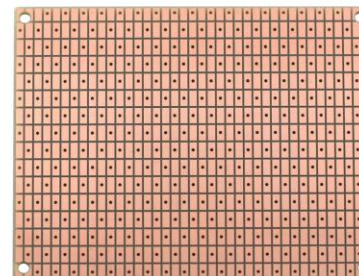
PadBoard
PAD1
PAD2



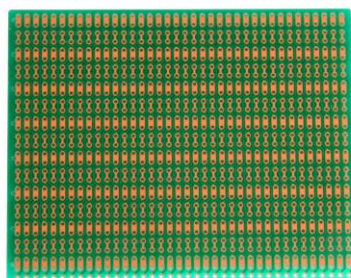
50mil SMTpads
SP1-50x50-G
SP2-50x50-G
SP2-50x50-2S



100mil SMTpads
SP1-100x100-G
SP2-100x100-G

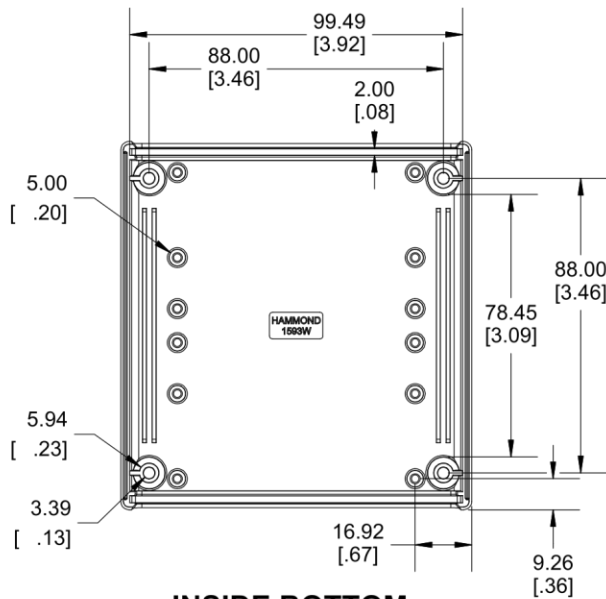
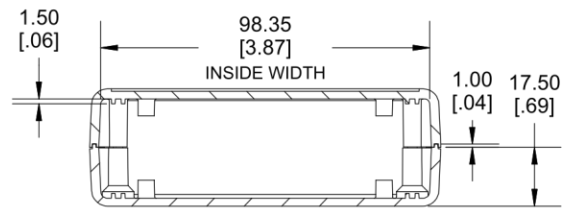
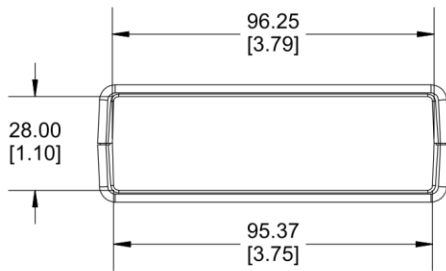
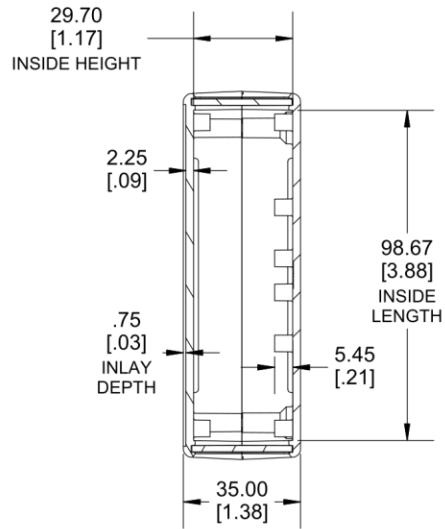
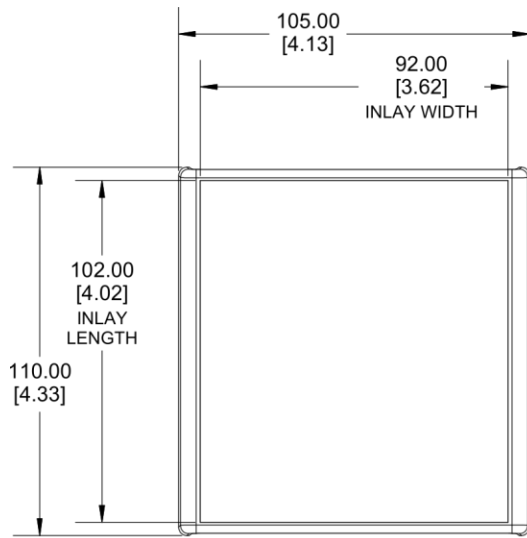


200mil SMTpads
SP1-200x100-G
SP2-200x100-G

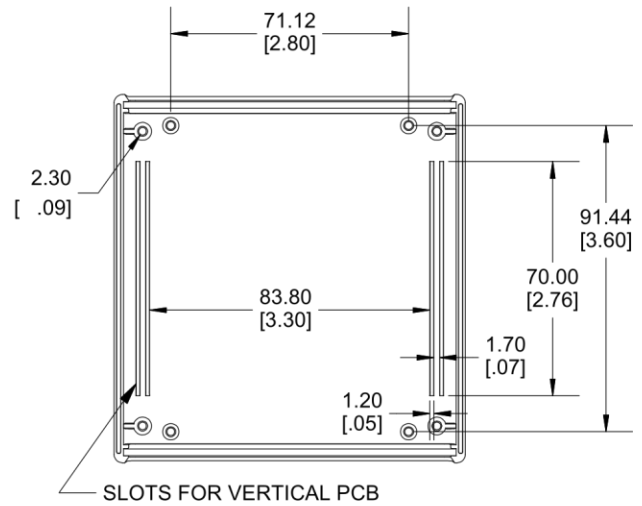


BusBoard
BB2

BOX2-P14 Details:



INSIDE BOTTOM



INSIDE TOP

