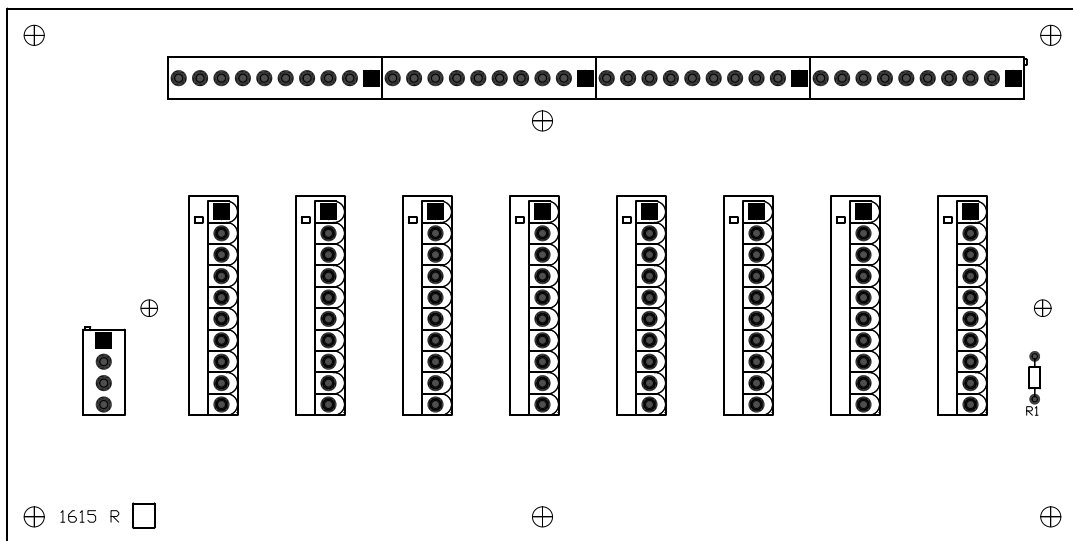
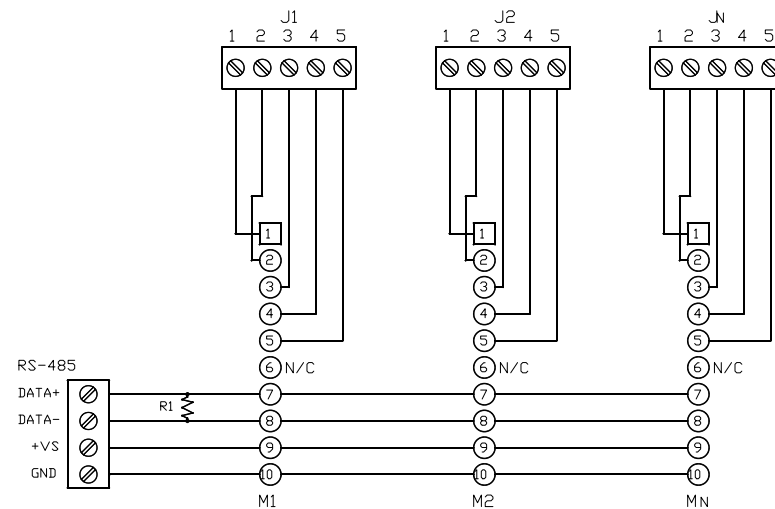


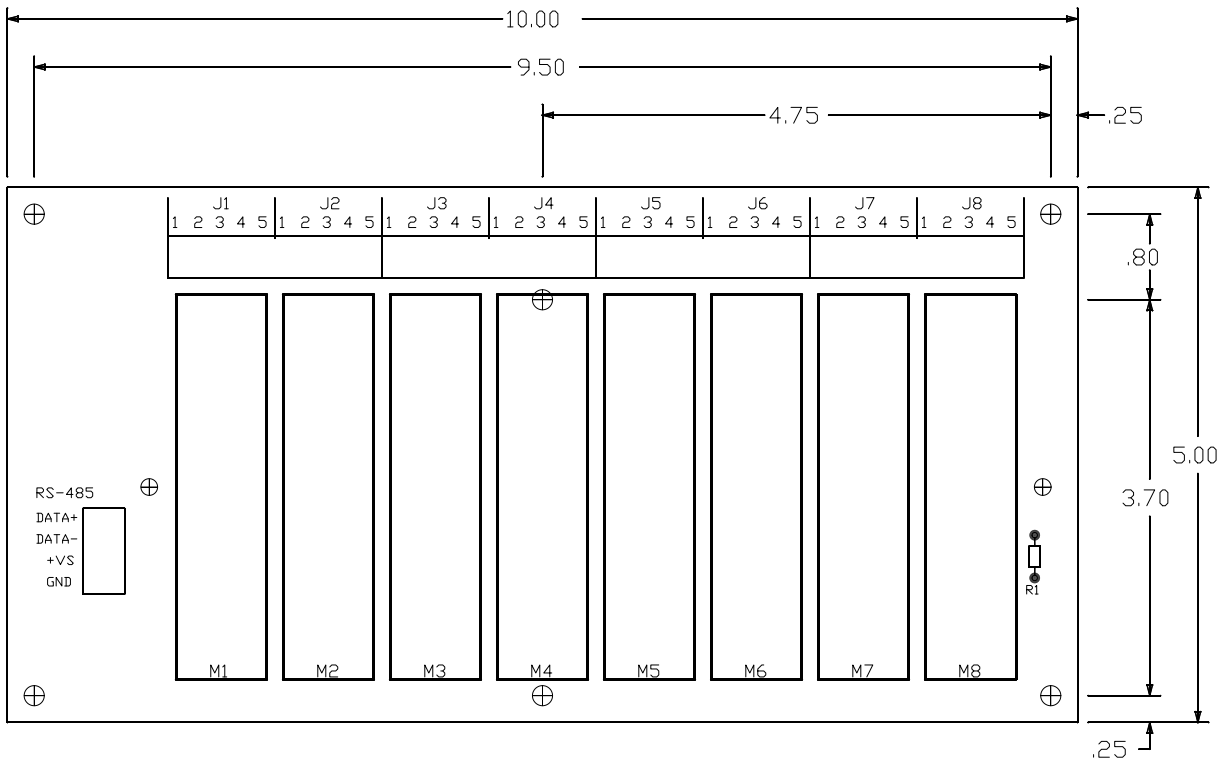
ASSEMBLY



SCHEMATIC



DIMENSIONS



SIDE VIEW

