

- 1
- 2
- 3
- 4
- 5
- 6
- 7
- 8
- 9
- 10
- 11
- 12
- 13
- 14
- 15
- 16
- 17
- 18

MATERIAL

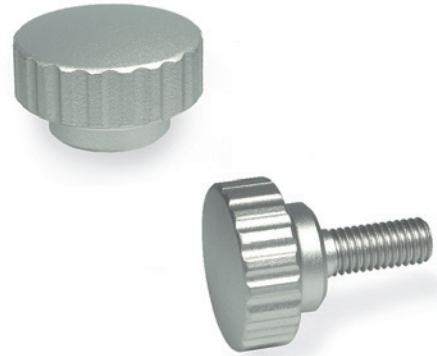
AISI 304 stainless steel, sandblasted matte finish.

STANDARD EXECUTIONS

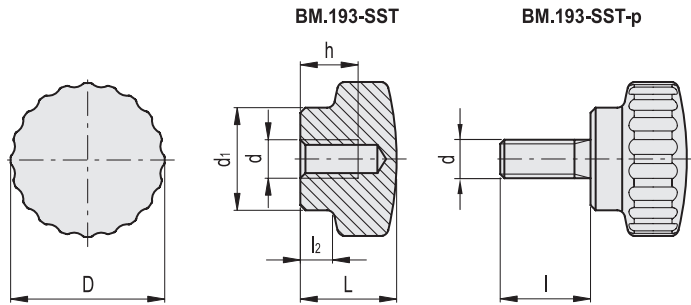
- **BM.193-SST**: threaded blind hole.
- **BM.193-SST-p**: threaded pin

SPECIAL EXECUTIONS ON REQUEST

Mirror polished (PL) finish.



Conversion Table	
1 mm = 0.039 inch	
D	
mm	inch
20	0.79
24	0.94
28	1.10



BM.193-SST

Code	Description	D	d	L	d1	l2	h	△△
503501	BM.193/20 SST-M5	20	M5	13	14	4.5	8	26
503511	BM.193/24 SST-M6	24	M6	15	16	4.5	9	38
503521	BM.193/28 SST-M8	28	M8	17	18	4.5	10	58

BM.193-SST-p

Code	Description	D	d	L	d1	l	l2	△△
503551	BM.193/20 SST-p-M5x10	20	M5	13	14	10	4.5	26
503552	BM.193/20 SST-p-M5x16	20	M5	13	14	16	4.5	27
503561	BM.193/24 SST-p-M6x16	24	M6	15	16	16	4.5	44
503562	BM.193/24 SST-p-M6x20	24	M6	15	16	20	4.5	45
503563	BM.193/24 SST-p-M6x25	24	M6	15	16	25	4.5	46
503571	BM.193/28 SST-p-M8x16	28	M8	17	18	16	4.5	68
503572	BM.193/28 SST-p-M8x20	28	M8	17	18	20	4.5	69
503573	BM.193/28 SST-p-M8x30	28	M8	17	18	30	4.5	70

Clamping elements