

Type BLR-I-301 Fuse Block - Indicating For Regular Auto Blade Fuses



www.optifuse.com (619)-593-5050

Fuse Style: Regular Auto Blade Fuses

Specifications:

Rating: 24V DC 30A

Material:

Body: Nylon (UL Flame: 94V-2)

Cap: Polycarbonate (UL Flame: 94V-2)

Terminal: Tin plated Brass – 0.25” (6.4mm) Quick Connect

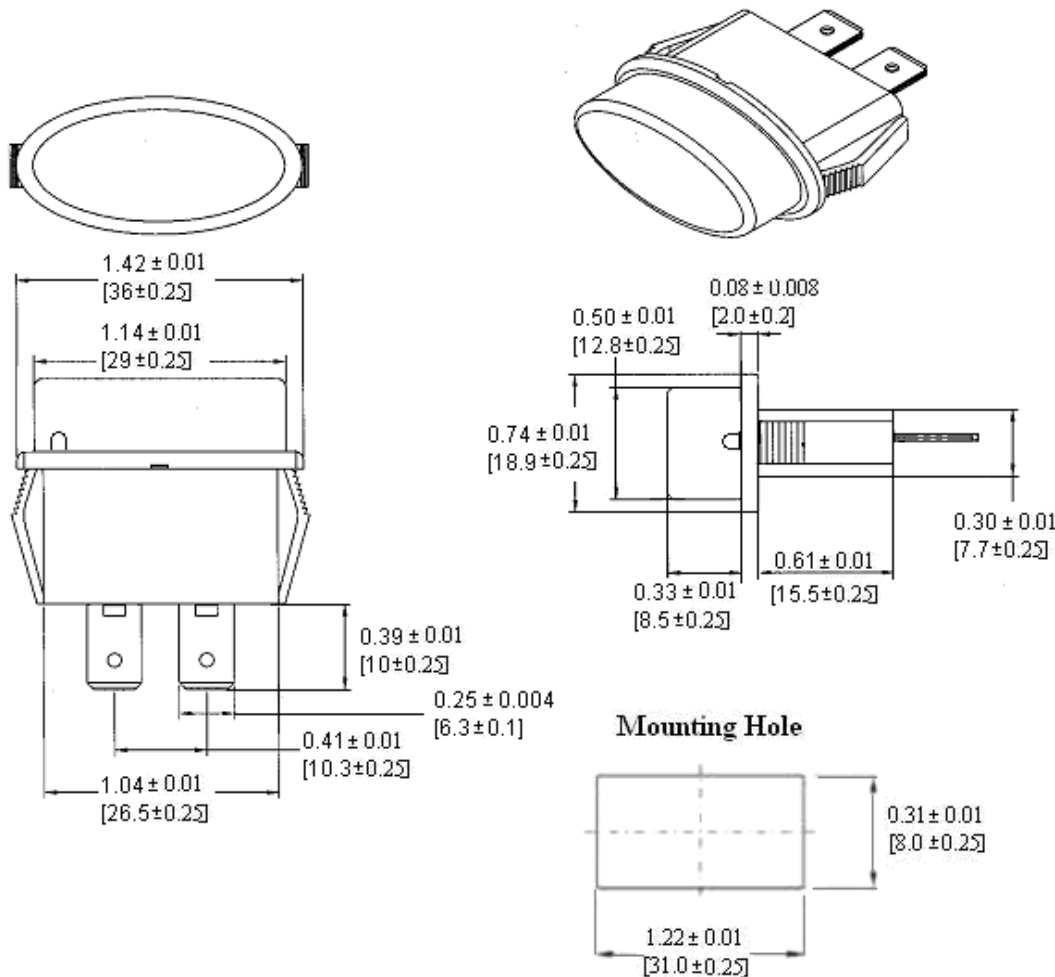
Indicating: Red LED

Panel Thickness: 0.5 ~ 7.0mm

Mounting: Snap-in

Ambient/Operating Temperature: -20 °C to +85 °C

Product Dimensions: Inches [mm]



	<p>Warning: -Operation beyond the specified maximum ratings or improper use may result in damage and possible electrical arcing and/or flame.</p>
	<p>-Avoid contact of Fuse Block with chemical solvent. Prolonged contact will damage the device performance.</p>