

Type BLC-09-GTA Fuse Block with Cover ANE / ANF Limiter Fuses



www.optifuse.com (619) 593-5050

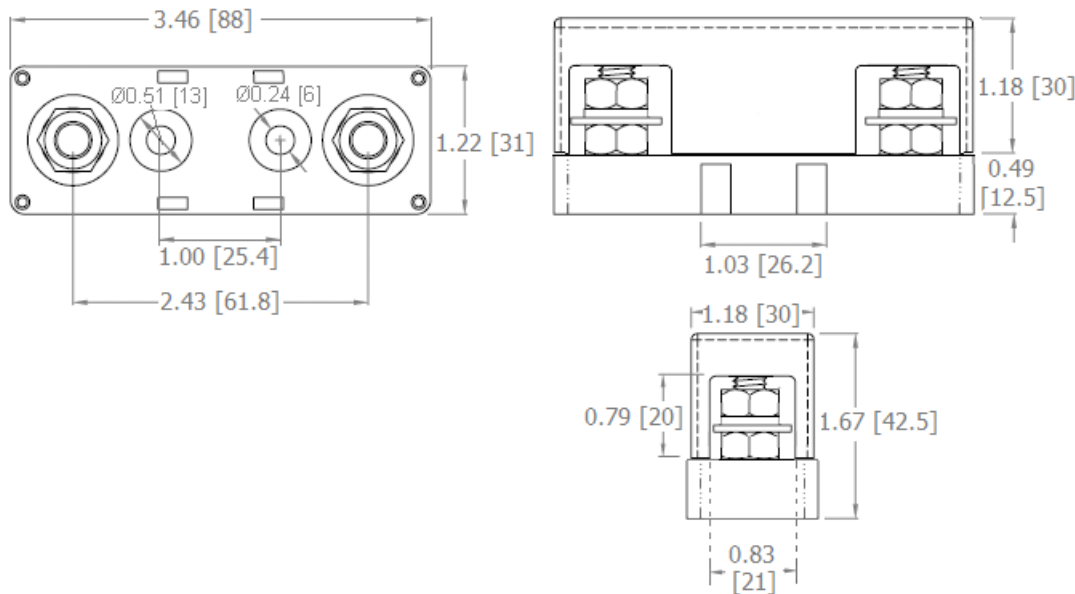
Specifications:

- Voltage Rating:** 125 VAC, 80 VDC
- Max Current Rating:** 500A
- Fuse Type:** ANE / ANF Limiter Fuse
- Insulation Resistance @ 500V DC:** 100MΩ
- Min. Base:** Polyester Impact/Electrical - Black with Mineral and Glass Fiber Added.
- ULR Certification number:** E40654
- Terminals:** Low Carbon Steel, Zinc Finish
- Cover:** Polycarbonate UL 94V0



- For Block alone:** See BLC-09-GT
- For Cover alone:** See BLC-09-GTC

Mechanical Dimensions: Inches [mm]



Warning:



-Operation beyond the specified maximum ratings or improper use may result in damage and possible electrical arcing and/or flame.

-Avoid contact of device with chemical solvent. Prolonged contact may damage the device performance.