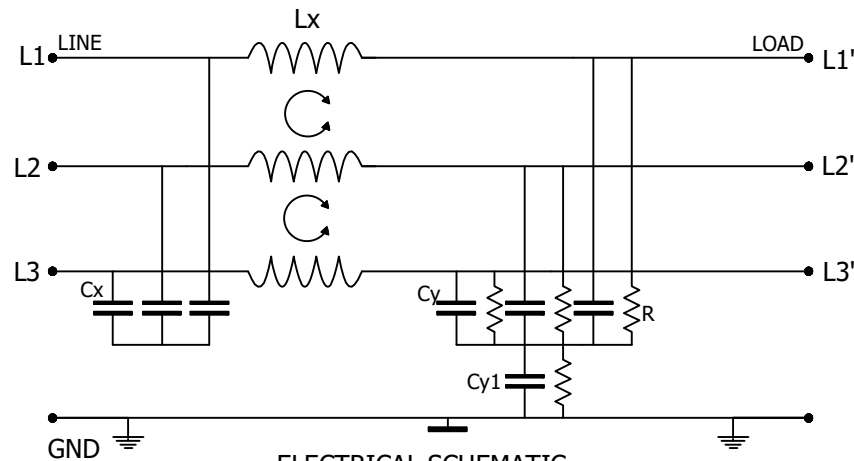
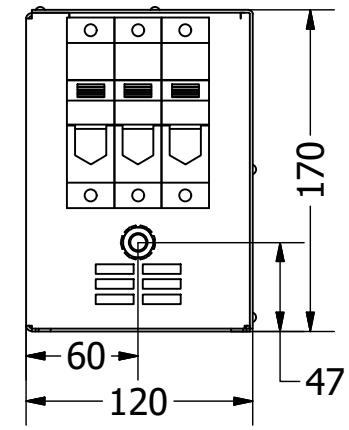


NOTES: UNLESS OTHERWISE SPECIFIED	
1	
2	ALL DIMENSIONS ARE IN MM
3	TOLERANCE :ISO 2768-1:1989



ELECTRICAL SCHEMATIC
50 ohm - 50 ohm Typical Insertion Loss

FREQUENCY MHZ	0.01	0.1	0.5	1.0	2.0	5.0	10
COMMON DB	12	50	72	64	55	45	35
DIFFERENTIAL DB	15	20	60	55	47	42	38

PRODUCT LABEL

L	BLA ETECH PVT.LTD.	L
I	BL358-180-T	O
N	480-520 VAC, 50-60 Hz	A
E	180A@40°C	D
	25/100/21	

SPECIFICATION

- 1) RATED VOLTAGE (MAX):
180 AMP,480/520 VAC 50-60HZ;
- 2) Hi-pot RATING (2 SECOND):
LINE TO GROUND: 2650 VDC
LINE TO LINE : 2100 VDC
- 3) MAXIMUM LEAKAGE LINE TO GROUND:
4.30mA @480 VAC 60 Hz;
4.70mA @520 VAC 50 Hz;

A	ISSUE	ECN	SUJIT	AJAY	20-02-2019
REV.	DESCRIPTION		DWN	APVD	APVD DATE
		BLA ETECH PVT.LTD. A-42 , Wazirpur Industrial Area New Delhi, Pin 110052 INDIA			
DRAWN BY	DRAWN DATE	CHECKED BY	CHECKED DATE		
SUJIT	20-2-2019	AJAY	20-02-2019		
DESC. MULTI STAGE FILTER					PAGE 1 of 1
PART NO. BL358-180-T					

