

PROPRIETARY INFORMATION:

PROPRIETARY OF GLOBTEK, INC. ANY REPRODUCTION, DISCLOSURE OR USE OF THIS DRAWING, IN WHOLE OR IN PART, IS HEREBY PROHIBITED EXCEPT AS SPECIFIED IN WRITING BY GLOBTEK, INC.

REVISION HISTORY

REV	DESCRIPTION	SALES	RFS	DATE	APPROVED
A	INITIAL RELEASE	SV	26685	3/10/2017	QA
B	REMOVE BACK LABEL FROM PAGE 7	SV	26992	1/11/2018	DR
C	UPDATE LABEL TO INCLUDE "WHITE WIRE:NTC"	SV	27190	10/16/2018	DR
D	Change White NTC wire to Yellow, add a date code to the label: YYMM	NF	27588	12/21/2020	DR

See Page 2 for important battery warranty and usage information.

RELEASED

By pudxc at 9:59 am, Dec 22, 2020

Foot Note:

Globtek Inc. will not be liable for the safety and performance of these power supplies if unauthorized access and repair occurs. End user should consult applicable UL, CSA or EN standards for proper installation instruction.

Limitation of Use:

Globtek product are not authorized for use as mission critical components in life support hazardous environment, nuclear or aircraft applications without prior written approval from the CEO of Globtek Inc.

Contents of this document are subject to change without prior notice

 GlobTek®, Inc.
www.globtek.com

186 Veterans Drive, Northvale, NJ 07467
 Tel. 201-784-1000 Fax 201-784-0111

Drawing Title: Li-Ion Polymer Battery Pack

3.7 VOLTS @ 700mAh

MODEL NO: GP503048

PART NO: BL0750F5030481S1PCTC

REV. D

PROPRIETARY INFORMATION:

PROPRIETARY OF GLOBTEK, INC. ANY REPRODUCTION, DISCLOSURE OR USE OF THIS DRAWING, IN WHOLE OR IN PART, IS HEREBY PROHIBITED EXCEPT AS SPECIFIED IN WRITING BY GLOBTEK, INC.

By customer signing or accepting this document, they agree to acknowledge and accept the **Guidelines and cautions, Safety Notes, and Safety Precautions published on GlobTek's website** http://en.globtek.com/safety-cautions.php#.UUD-NRzU_I8

GlobTek offers a 5-year warranty on workmanship and electrical components assembly on all new battery pack products excluding the battery cells themselves which are covered by the Manufacturer's original warranty at their published warranty period. Please refer to the manufacturer's manufacturer's warranty policy for cells. For GlobTek brand cells, GlobTek provides a 12-month warranty for Li-Ion batteries. The warranty period is based upon the expectation that the battery will deliver 80% of its initial capacity after 300 cycles at low to moderate power loads. High power loads may cause a battery to reach 80% of initial capacity in less than the 12-month warranty period. Li-Ion batteries will continue to operate below the 80% capacity threshold; however, the capacity (run time) delivered between charges will continue to decrease.

The purchaser of this product (Customer) agrees that it is their sole responsibility to determine suitability of the product described for their application and to take precautions for protection against any hazards attendant to the handling and use of the product. Products sold are not returnable. GlobTek, Inc. will produce or provide its products to our published specifications. The purchaser of this product (Customer) shall be solely responsible for determining the products' fitness for use in their applications.

Customer Approval of Specification:

Please approve, sign and send back to GlobTek so we can complete order processing.

A delay in receipt of this form will delay delivery schedule.

Company Name:

Customer P/N:

Quote Number:

Date:

Authorized Representative Name:

Authorized Representative Signature:

 GlobTek®, Inc.
www.globtek.com

186 Veterans Drive, Northvale, NJ 07467
Tel. 201-784-1000 Fax 201-784-0111

Drawing Title: Li-Ion Polymer Battery Pack

3.7 VOLTS @ 700mAh

MODEL NO: GP503048

PART NO: BL0700F5030481S1PCTC

REV. D

PROPRIETARY INFORMATION:

PROPRIETARY OF GLOBTEK, INC. ANY REPRODUCTION, DISCLOSURE OR USE OF THIS DRAWING, IN WHOLE OR IN PART, IS HEREBY PROHIBITED EXCEPT AS SPECIFIED IN WRITING BY GLOBTEK, INC.

1. GENERAL SPECIFICATION:

LITHIUM-ION POLYMER BATTERY PACK

CELL:	GP503048
PCM:	GLOBTEK STANDARD
NTC:	10K
ID:	N/A
CONFIGURATION:	1S1P
WEIGHT:	APROX 22.0 g

2. ELECTRICAL SPECIFICATION:

NOMINAL CAPACITY:	700 mAh
NOMINAL VOLTAGE:	3.7
WATT-HOUR RATING:	2.59WH
CHARGING METHOD:	CONSTANT CURRENT TO 4.20V + CONSTANT VOLTAGE 4.2V TO 0.01C CUT-OFF
MAX. CHARGE VOLTAGE [V]:	4.20 (±50mV)
CHARGE CURRENT:	0.2C STANDARD; 1.0C MAXIMUM
REC. CHARGE CUT OFF:	BY CURRENT 50mA OR TIMER 4H
DISCHARGE CURRENT:	0.2C STANDARD; 1.0C MAXIMUM CONTINUOUS
REC. DISCHARGE CUT OFF:	3V
INTERNAL IMPEDANCE:	≤220 mΩ (new cell)
EXP. CYCLE LIFE:	>500 CYCLES > 70% OF INITIAL CAPACITY (0.5C CHARGE / 0.5C DISCHARGE) >300 CYCLES, >80% OF INITIAL CAPACITY (0.5C CHARGE / 0.5C DISCHARGE)

CELL PROTECTION:

OVER CHARGE DETECTION:	4.25 ± 0.025V (0.9 TO 1.4 SEC. DELAY, RESUME 4.08 ± 0.025V)
OVER DISCHARGE DETECTION:	3.0 ± 0.05V (115 to 173msec. DELAY, RELEASE 3.20 ± 0.08V; RECHARGE TO BEGIN CHARGING AGAIN)
OVER CURRENT DETECTION:	1.0A to 4.0A (7.2 to 11.0 msec. DELAY; CUT LOAD TO RELEASE)

3. AMBIENT CONDITIONS

TEMPERATURE RANGE:

CHARGE:	0 TO +45°C
DISCHARGE:	-20 TO +60°C
CHARGE RETENTION/STORAGE [%]:	1 YEAR AT -20 TO +20°C >80% 3 MONTHS AT -20 TO +45°C >80% 1 MONTH AT -20 To +60°C >80%
HUMIDITY:	60 ± 25%RH

4. ENVIRONMENTAL AND SAFETY

PLEASE FOLLOW GlobTek, Inc. HANDLING AND SAFETY PRECAUTIONS FOR Lilon & LiPolymer.

5. CELL REGULATORY APPROVALS:

UL:	UL 1642; MH48131
5 BATTERY PACK APPROVALS:	
RoHS:	COMPLIES WITH EU 2002/95/EC AND CHINA SJ/T 11363-2006
CE Mark:	COMPLIES WITH 2004/108/EC ELECTROMAGNETIC COMPATIBILITY INCLUDING BUT NOT LIMITED TO EN61000-6-1:2007, EN61000-6-3:2007
TRANSPORTATION:	PACK DESIGNED TO MEET un38.3, UL 2054, IEC 62133
UL:	Design to meet UL2054 IEC62133

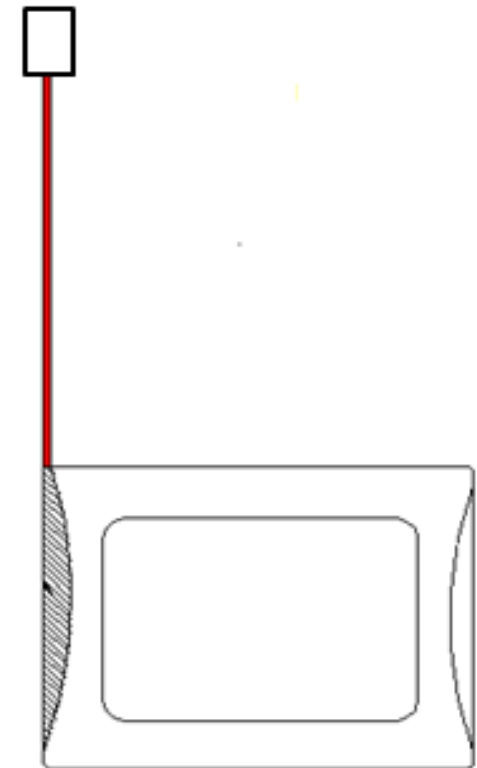
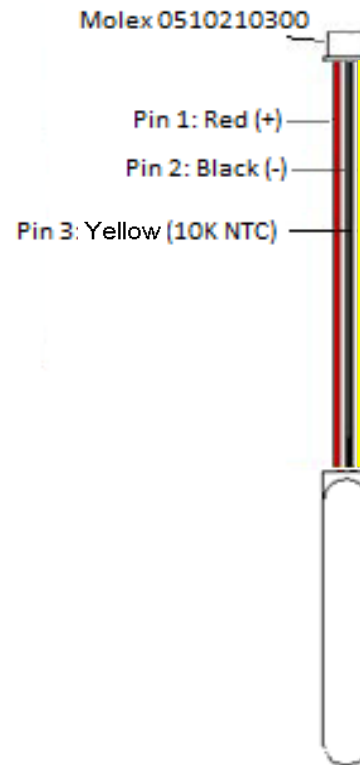
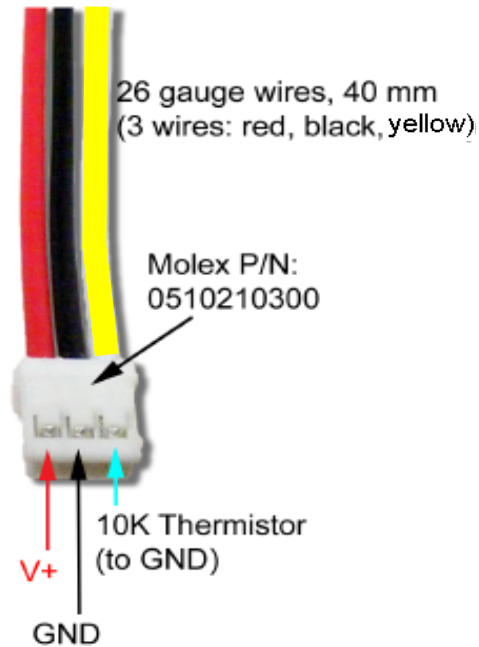


PROPRIETARY INFORMATION:

PROPRIETARY OF GLOBTEK, INC. ANY REPRODUCTION, DISCLOSURE OR USE OF THIS DRAWING, IN WHOLE OR IN PART, IS HEREBY PROHIBITED EXCEPT AS SPECIFIED IN WRITING BY GLOBTEK, INC.

6. MECHANICAL:

DIMENSIONS:	50.5 x 30.5 (±.5) x 5.3 (±0.3) mm
SHRINK WRAP:	BLUE PVC
WIRE TYPE:	UL1007, 26AWG
WIRE LENGTH:	40.0 mm +5.0 /-0.0mm
WIRE POLARITY:	PIN 1: RED POSITIVE (+)
WIRE POLARITY:	PIN 2: BLACK NEGATIVE (-)
WIRE POLARITY:	PIN 3: 10K THERMISTOR
TIN LENGTH:	N/A
ADDITIONAL REQUIREMENTS:	N/A



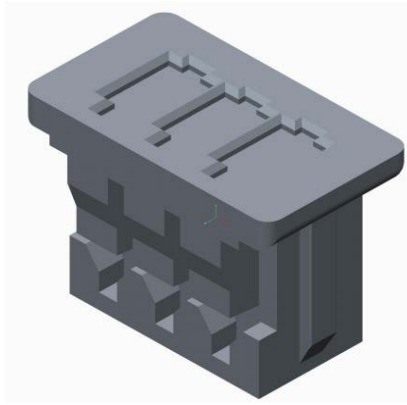
[ADDITIONAL OUTPUT PLUG OPTIONS ARE AVAILABLE BY CLICKING THIS LINK.](#)
[STANDARD PLUGS AND CONNECTORS CAN BE SEEN ONLINE BY CLICKING THIS LINK](#)

PROPRIETARY INFORMATION:

PROPRIETARY OF GLOBTEK, INC. ANY REPRODUCTION, DISCLOSURE OR USE OF THIS DRAWING, IN WHOLE OR IN PART, IS HEREBY PROHIBITED EXCEPT AS SPECIFIED IN WRITING BY GLOBTEK, INC.

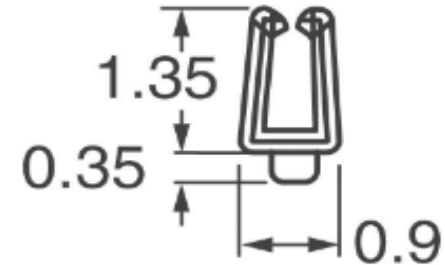
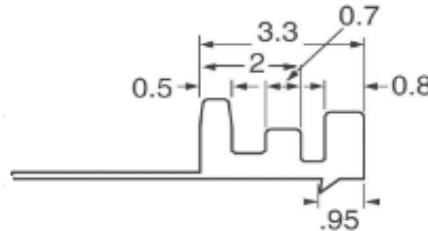
7. OUTPUT CONNECTOR:

ACTUAL CONNECTOR'S, OVERMOLDS, MAY VARY SLIGHTLY FROM THE PICTURE BELOW



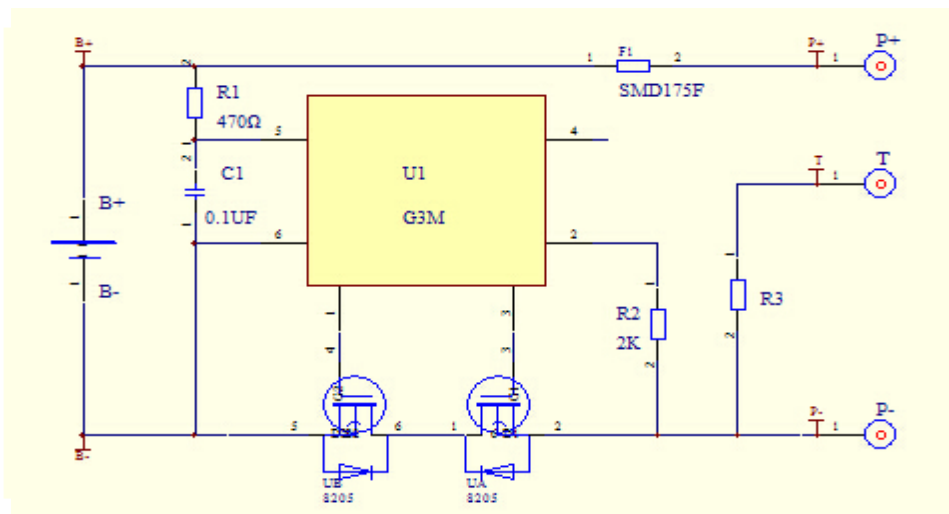
	EQUIVALENT	Y / N	
PLUG HOUSING TYPE		Y	Molex 0510210300
PLUG TERMINALS		Y	Molex 0500798000
PLUG DIMENSIONS			See drawing below
POLARITY			PIN 1: RED POSITIVE(+)
POLARITY			PIN 2: BLACK NEGATIVE (-)
POLARITY			PIN 3: YELLOW 10K NTC
ADDITIONAL REQUIREMENTS			

[ADDITIONAL OUTPUT PLUG OPTIONS ARE AVAILABLE BY CLICKING THIS LINK.](#)
[STANDARD PLUGS AND CONNECTORS CAN BE SEEN ONLINE BY CLICKING THIS LINK](#)



Battery Protection Module

NO.	Location	Part name	Specification	Pack type	Qty
1	U1	Battery protection IC	G3J	SOT-23-6	1
2	U2	Silicon MOSFET	A8820	TSSOP-8	1
3	R1	Resistance	SMD 470Ω±5%	0402	1
4	R2	Resistance	SMD 2K±5%	0402	1
5	R3	Resistance	SMD 10KNTC±5%	0402	1
6	C1	Capacitance	SMD 0.1μF	0402	1
7	F1	PTC	SMD175F	1210	1
8	PCB	Print circuit board	LHY- BH1S0425001 (25±0.15)*(4±0.1)*(0.6±0.1)		1

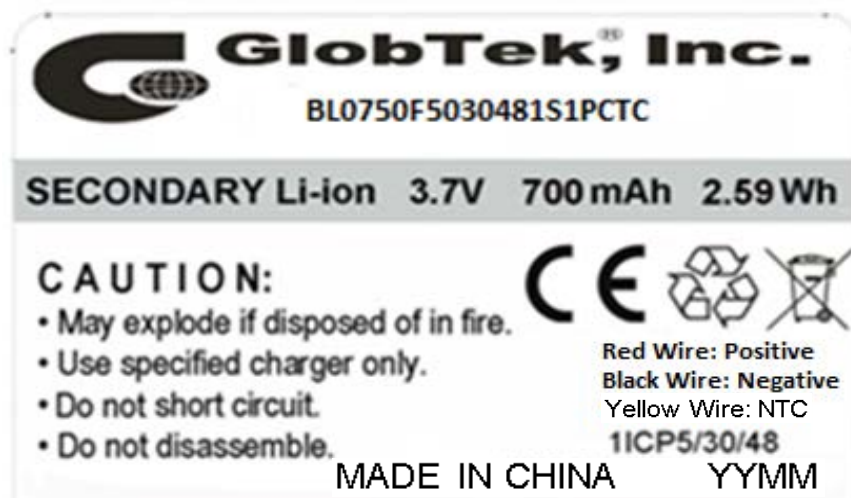


PROPRIETARY INFORMATION:

PROPRIETARY OF GLOBTEK, INC. ANY REPRODUCTION, DISCLOSURE OR USE OF THIS DRAWING, IN WHOLE OR IN PART, IS HEREBY PROHIBITED EXCEPT AS SPECIFIED IN WRITING BY GLOBTEK, INC.

8. LABEL:

MATERIAL:	TBD
BACKGROUND COLOR:	WHITE
TEXT COLOR:	BLACK
LABEL WIDTH: (mm)	32mm
LABEL HEIGHT: (mm)	20mm
ADDITIONAL REQUIREMENTS:	N/A



GlobTek, Inc.

www.globtek.com

186 Veterans Drive, Northvale, NJ 07467

Tel. 201-784-1000 Fax 201-784-0111

Drawing Title: Li-Ion Polymer Battery Pack

3.7 VOLTS @ 700mAh

MODEL NO: GP503048

PART NO: BL0750F5030481S1PCTC

REV D

PROPRIETARY INFORMATION:

PROPRIETARY OF GLOBTEK, INC. ANY REPRODUCTION, DISCLOSURE OR USE OF THIS DRAWING, IN WHOLE OR IN PART, IS HEREBY PROHIBITED EXCEPT AS SPECIFIED IN WRITING BY GLOBTEK, INC.

9. PACKAGING:

PE BAG SIZE	TBD
CARTON SIZE:	TBD
QUANTITY PER CARTON:	TBD
G.W.	TBD

