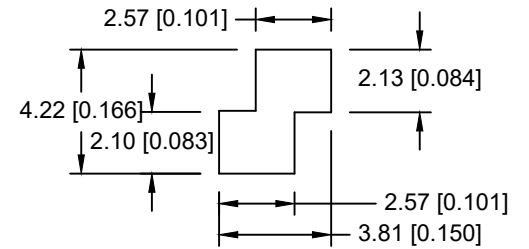
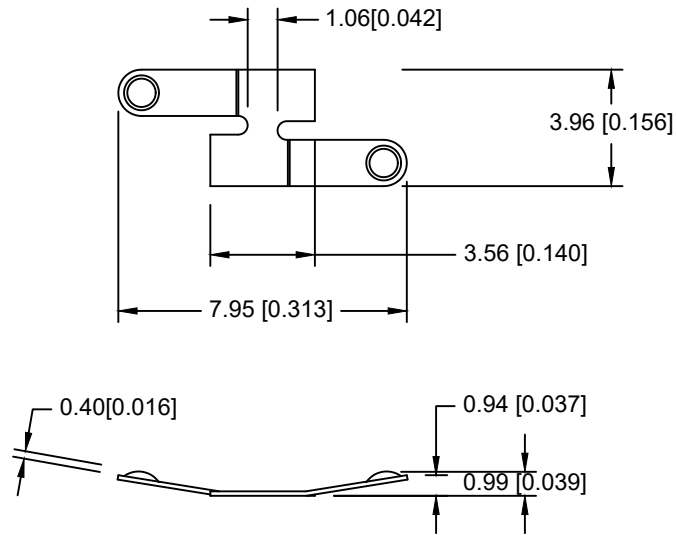


Date	SYM	REVISION RECORD	AUTH	DR.	CK.
03/15/23	A	REDRAWN	DL	BS	
03/31/23	B	Updated Packaging Quantity	DL	BS	
09/14/23	C	Change material Removed packaging note Added cell diameter	DL	BS	




RECOMMENDED PAD SIZE

NOTES:

MATERIAL:

0.006" PHOS. BRONZE, NICKEL PLATED 120u,
 GOLD PLATED 1u~3u
 MINIMUM CELL DIAMETER: 0.354IN (9mm)
 ROHS COMPLIANT

Tolerance (Except as noted)	 Memory Protection Devices, Inc 200 Broad Hollow Road, Farmingdale, New York 11735		
decimal ±.5 (.020)	Scale	Drawn By B.S.	
Fractional ± .8 (.030)	Title	Approved By D.L.	
Angular ± 3°	Date	Drawing Number	
	09/14/23	BK-118	