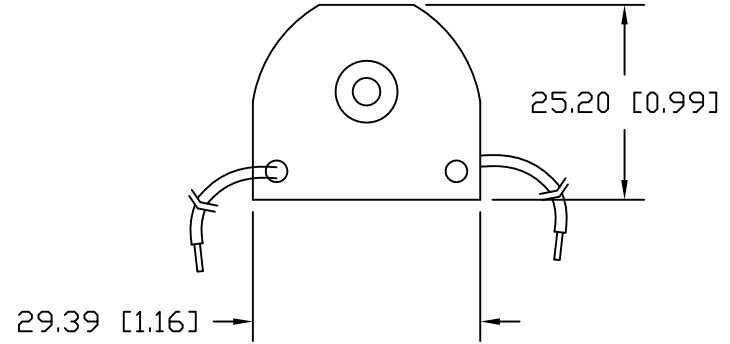
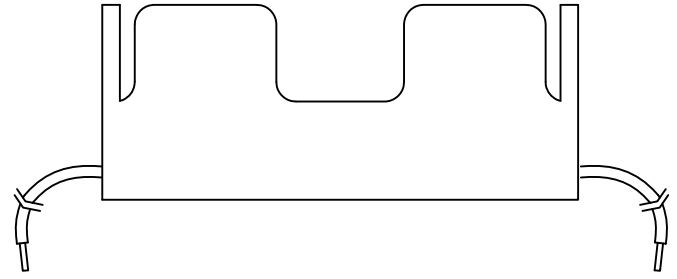
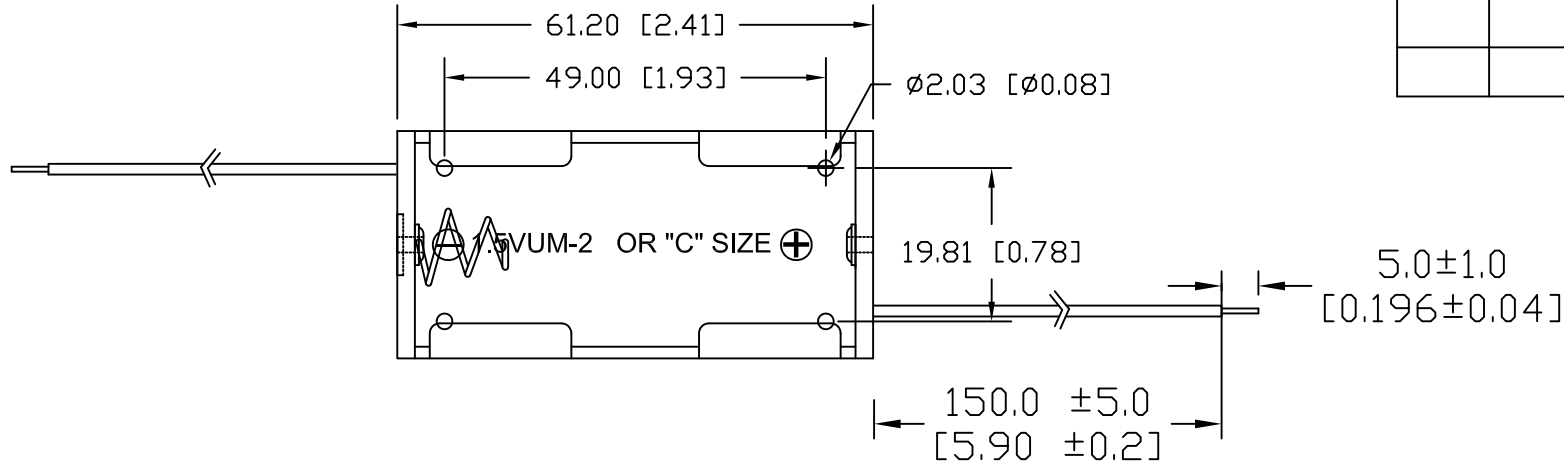



Date	SYM	REVISION RECORD	AUTH	DR.	CK.
05/31/13	B	UPDATED TO ROHS 2 COMPLIANT	T.B.	B.S.	
04/07/17	C	DIM. 5.0 WAS 3.18 DIM. 150.0 WAS 152.4 DIM. 49.0 WAS 49.28 DIM. 61.20 WAS 61.49	T.B.	B.S.	



SPECIFICATION:

1. MATERIAL:

- HOUSING : BLACK POLYPROPYLENE
- FLAMMABILITY RATING -UL94-HB, UL FILE NO. E216959
- TEMPERATURE RANGE: -10°C to +100°C
- RIVETS: BRASS, NICKLE PLTD.
- WIRE: 26 AWG, CSA, TR64, 300V, 80°C
- SPRING: SPRING STEEL, NICKLE PLTD.
- CONTACT RESISTANCE: UNDER 50mΩ FOR +/- CONTACTS PER EIA-540J000
- ROHS 2 COMPLIANT

Tolerance (Inches)	 Memory Protection Devices, Inc 200 Broad Hollow Road, Farmingdale, New York 11735		
Decimal		Scale	Drawn By B.S.
±.5 (.020)			Approved By T.B.
Fractional	Title "C" BATTERY HOLDER WITH WIRE LEADS		
± .8 (.030)			
Angular	Date	Drawing Number	
± 3°	04/07/17	BHCW	