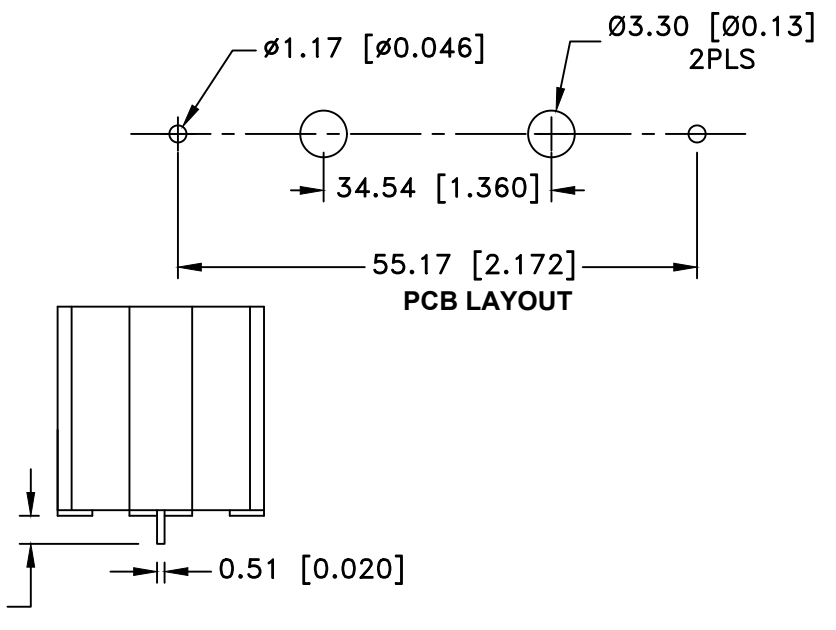
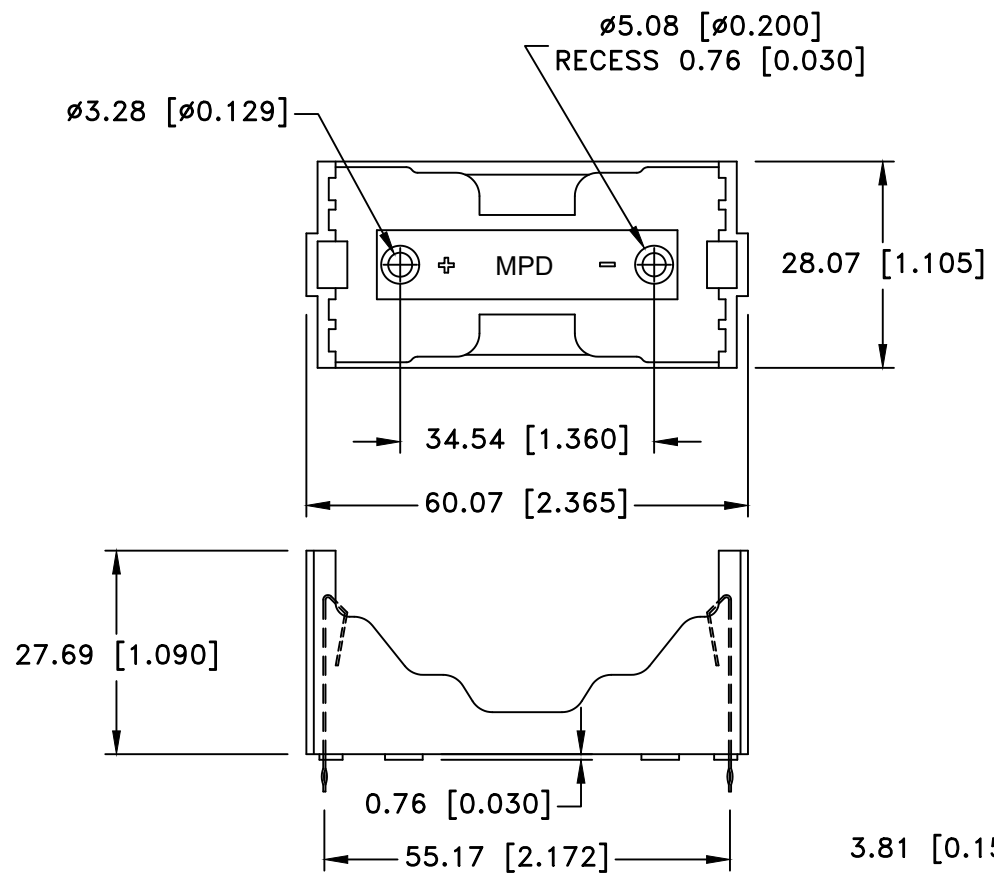



Date	SYM	REVISION RECORD	AUTH	DR.	CK.
03/12/21	D	ADDED TEMPERATURE RANGE, ADDED WEIGHT	T.B.	B.S.	
06/21/23	E	ADDED UL FILE NUMBER	T.B.	B.S.	



SPECIFICATIONS:

Holder Material: Black PBT, 30% Glass, UL94V-0, UL File No. E45587
 Contacts: 302 Spring temper stainless steel, Gold plated
 Temperature Range: -55°C to +180°C
 Vibration Test: 10-50-10 Hz swept in 60 seconds
 X,Y,Z direction: 1 hour each direction, No dislodgement of the cell or damage, No discontinuity over 10 micro-seconds
 Shock Test: Half sine wave acceleration 150g. 6 micro-seconds, 1 shock pulses each direction per axis, total of 6 pulses, No evidence of physical damage
 Drop Test: Drop height 1meter, Randomly oriented, 1 drop per direction, total 1 drop, No evidence of physical damage
 Built in Reverse polarity protection
 Approximate Weight: 16.08g
 ROHS COMPLIANT

Tolerance (Except as noted)	 Memory Protection Devices, Inc 200 Broad Hollow Road, Farmingdale, New York 11735	Scale	Drawn By B.S.
		Approved By T.B.	
decimal ±.5 (.020)	Title MILITARY BATTERY HOLDER FOR C CELLS		
Fractional ± .8 (.030)	Date 06/21/23	Drawing Number BHC-POL	
Angular ± 3°			