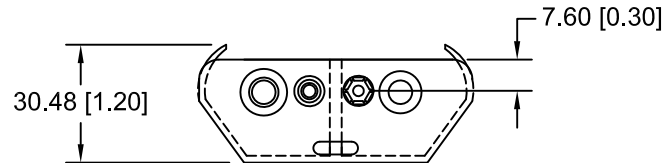
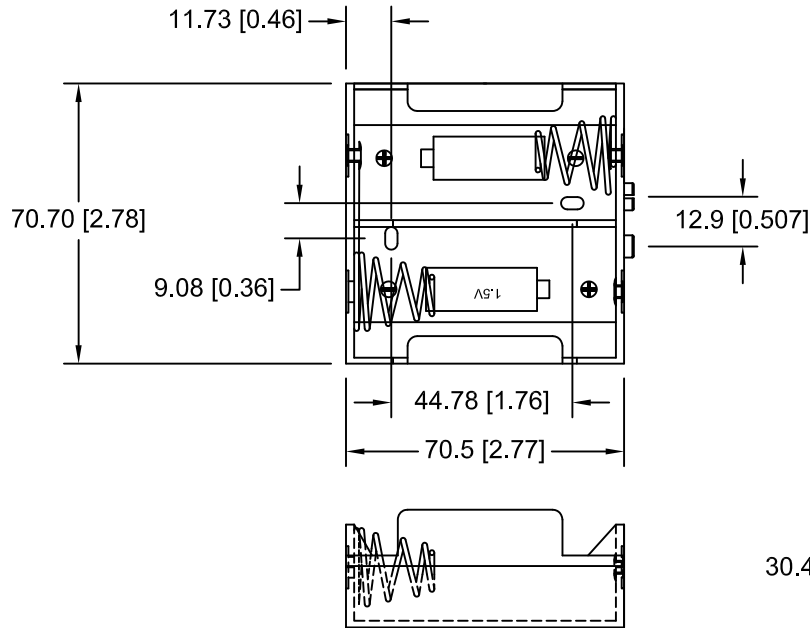



| Date | SYM | REVISION RECORD | AUTH | DR. | CK. |
|----------|-----|---|------|------|-----|
| 11/15/13 | A | REDRAWN IN AUTOCAD UPDATED TO ROHS 2 COMPLIANT | T.B. | B.S. | |
| 04/07/17 | B | DIM. 44.78 WAS 46.79 ADDED MOUNTING HOLE DETAIL | T.B. | B.S. | |
| | | | | | |

NOTES:

1. MATERIAL:

HOUSING : BLACK POLYPROPYLENE
 FLAMMABILITY RATING -UL94-HB, UL FILE NO. E216959
 TEMPERATURE RANGE: -10°C to +100°C
 RIVETS: BRASS, NICKLE PLATED.
 SPRING: SPRING STEEL, NICKLE PLATED.
 9 VOLTS SNAPS: BRASS, NICKLE PLATED.
 CONTACT RESISTANCE: UNDER 50mΩ FOR +/- CONTACTS PER
 EIA-540J000
 ROHS 2 COMPLIANT.



| | | | |
|--------------------------------|---|--------------------------|-----------------------------------|
| Tolerance (Except as noted) |  Memory Protection Devices, Inc 200 Broad Hollow Road, Farmingdale, New York 11735 | | |
| decimal ±.5 (.020) | | Scale | Drawn By B.S. Approved By T.B. |
| Fractional ± .8 (.030) | Title TWO "D" CELL HOLDER WITH 9V SNAPS | | |
| Angular ± 3° | Date 04/07/17 | Drawing Number BH2DSF | |