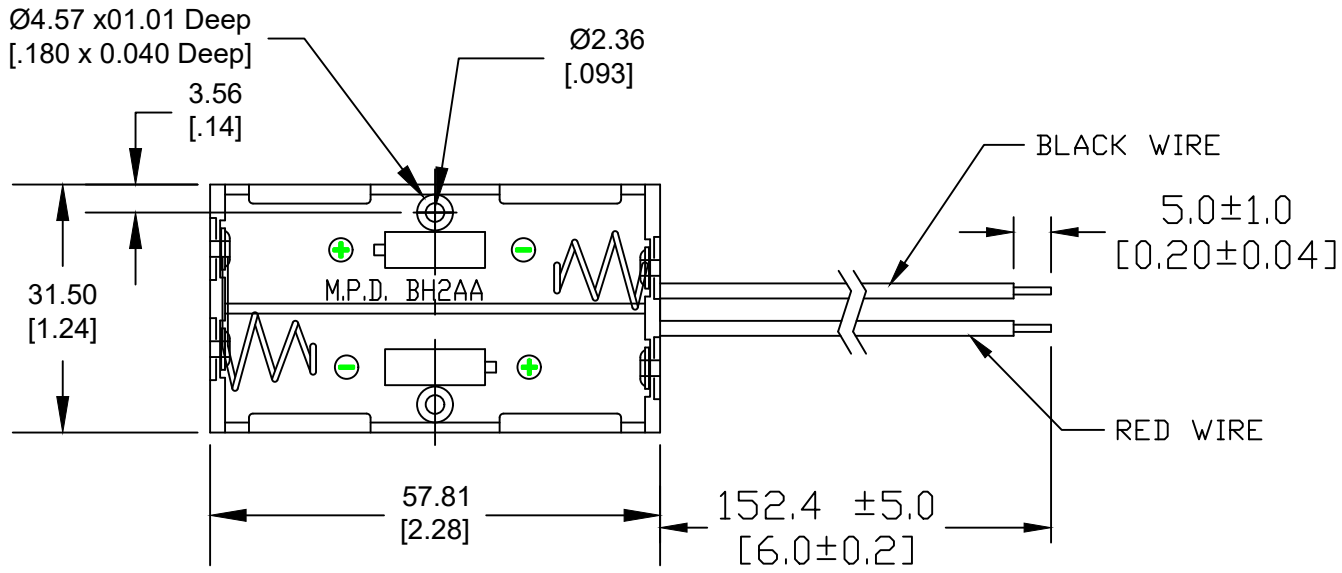
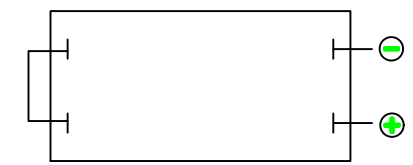
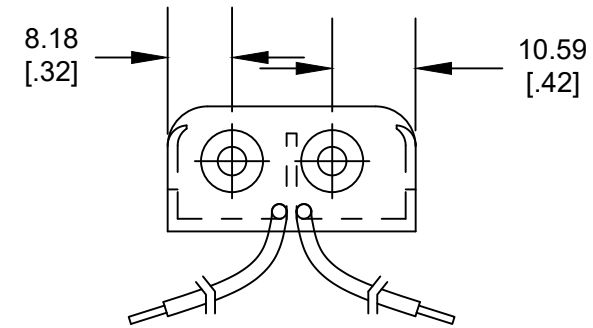
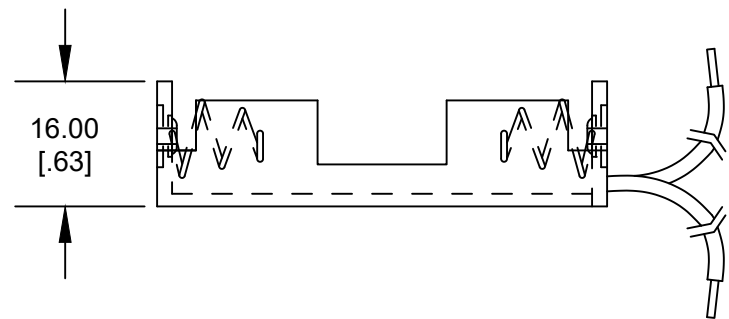


Date	SYM	REVISION RECORD	AUTH	DR.	CK.
10/24/14	C	Redrawn and Updated to ROHS 2 Compliant	T.B.	B.S.	
10/16/20	D	Updated UL file number	T.B.	B.S.	



MOUNTING INSTRUCTION:


USE 2-56 MACHINE SCREWS OR EYELETS 0.089" OD BY 0.15" FLANGE STIMPSON GS-3 SERIES OR EQUIVALENT ALSO ADHESIVES AND DOUBLE SIDED TAPES WORK WELL.



INTER CONNECTION SCHEMATIC

NOTES:

MATERIAL:
 HOUSING: IMPACT RESISTANCE NYLON #6, BLACK, UL 94V-0, MATERIAL FILE #UL E484599
 SPRING: SPRING STEEL, NICKLE PLATED
 CONTACTS: SPRING STEEL, NICKLE PLATED
 EYELETS: BRASS, NICKLE PLTD.
 WIRES: 24 AWG, 80°C, VW-1, TR-64, 300V, UL 1007 E41396
 ROHS 2 COMPLIANT

Tolerance (Inches)	 Memory Protection Devices, Inc 200 Broad Hollow Road, Farmingdale, New York 11735		
Decimal ±.5 (.020)	Scale	Drawn By B.S.	
Fractional ±.8 (.030)	Approved By T.B.		
Angular ± 3°	Title	2AA BATTERY HOLDER WITH WIRE LEADS	
	Date	Drawing Number	
	10/16/20	BH2AA-W	