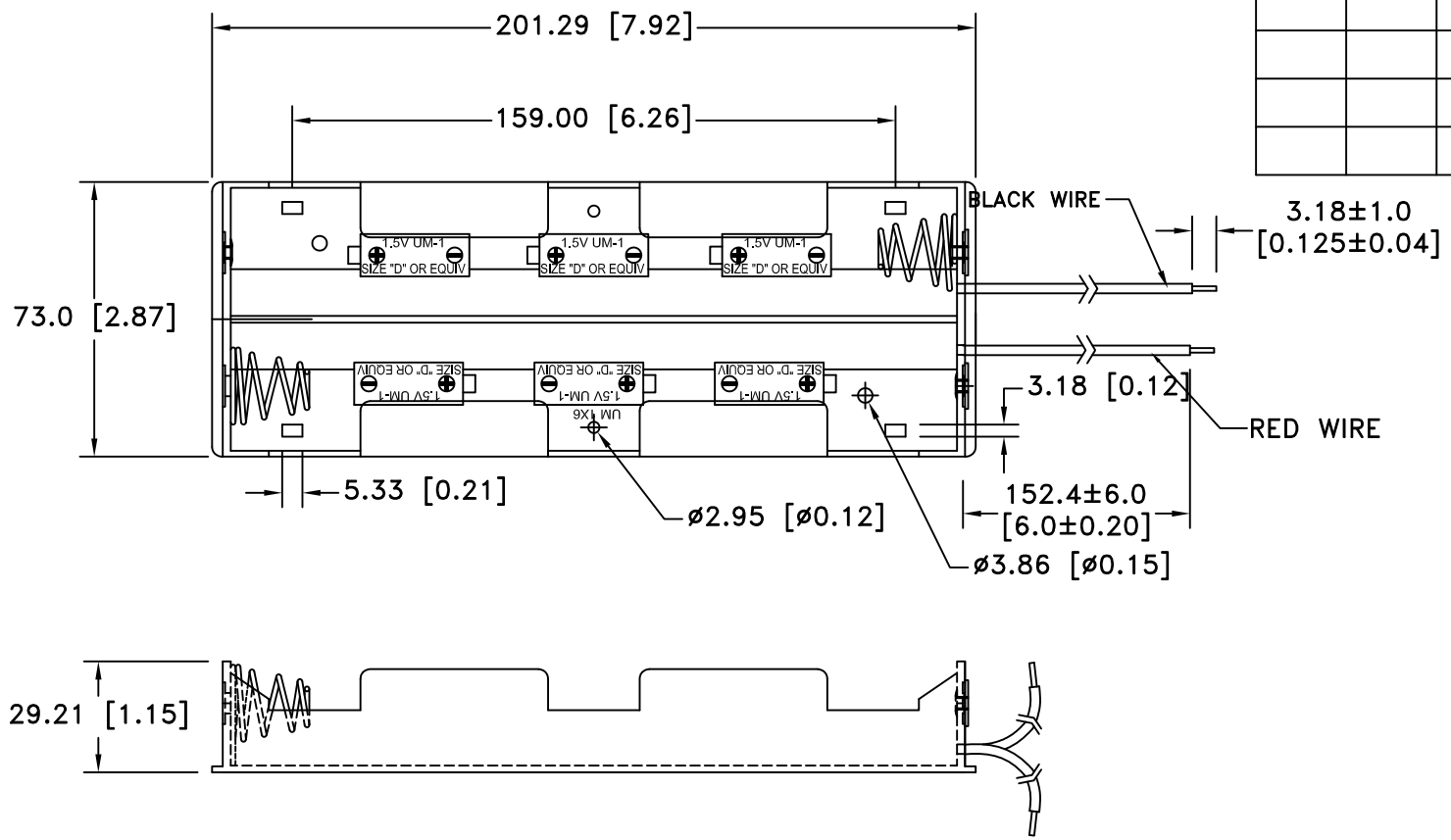



Date	SYM	REVISION RECORD	AUTH	DR.	CK.
9/05/14	B	REDRAWN IN AUTOCAD UPDATED TO ROHS 2 COMPLIANT	T.B.	B.S.	



NOTES:

1. MATERIAL:

- HOUSING : BLACK POLYPROPYLENE, PP-1040
- RIVETS: BRASS, NICKEL PLATED.
- SPRING: SPRING STEEL, NICKEL PLATED.
- WIRE: 26AWG PVC, UL1007, CSA #TR-64, 80°C 300V
- CONTACT RESISTANCE: UNDER 50mΩ FOR +/- CONTACTS PER EIA-540J000
- ROHS 2 COMPLIANT

Tolerance (Except as noted)	 Memory Protection Devices, Inc 200 Broad Hollow Road, Farmingdale, New York 11735		
	decimal ±.5 (.020)	Scale	Drawn By B.S. Approved By T.B.
Fractional ± .8 (.030)	Title 6 "D" CELL HOLDER WITH WIRE LEADS		
Angular ± 3°	Date 9/05/14	Drawing Number BH26DW	