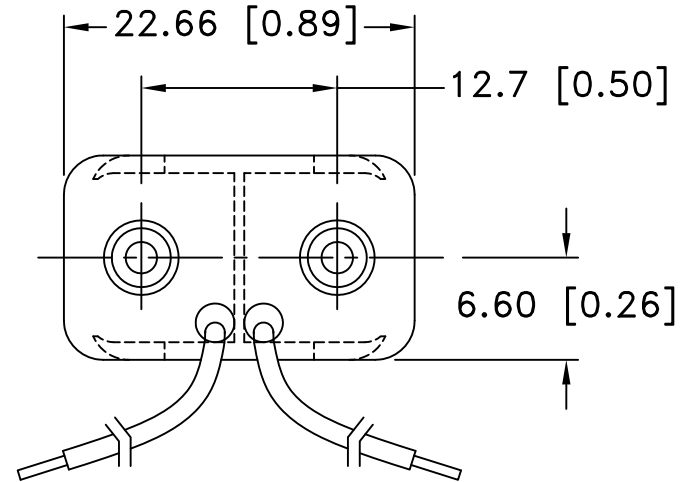
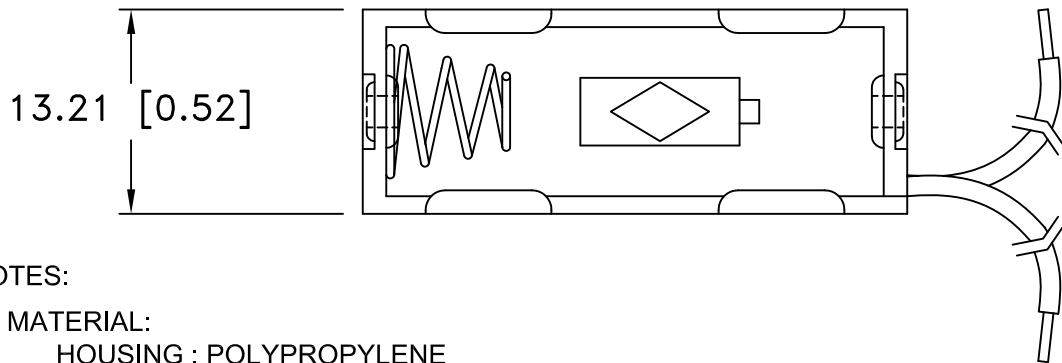
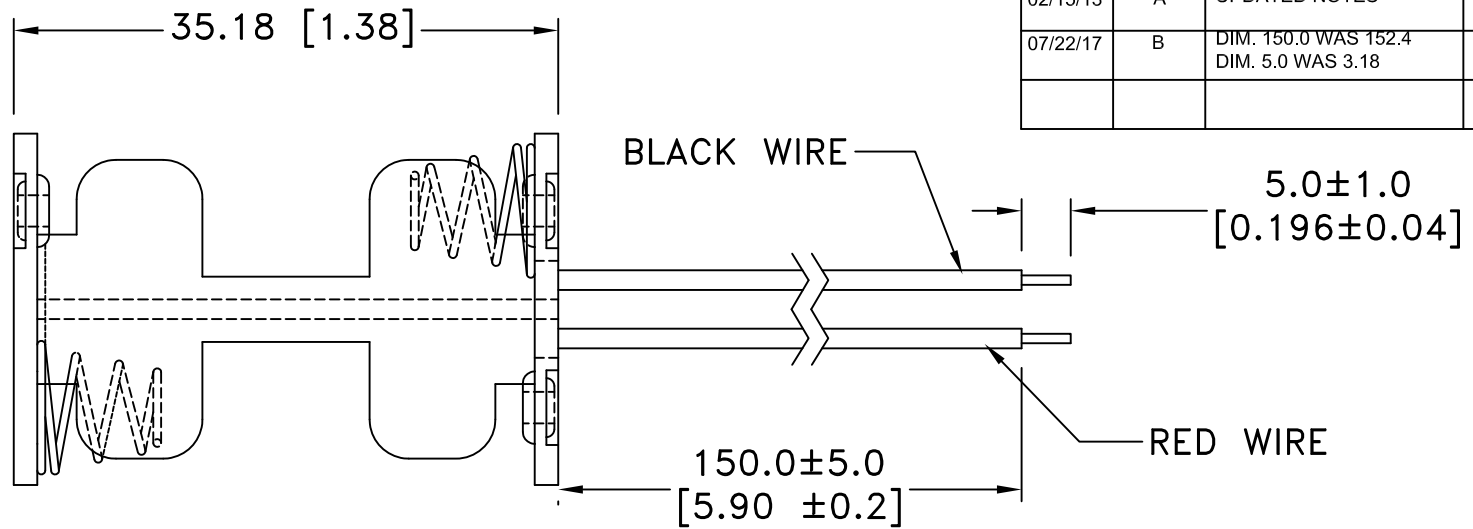


| Date | SYM | REVISION RECORD | AUTH | DR. | CK. |
|----------|-----|---|------|------|-----|
| 02/15/13 | A | UPDATED NOTES | T.B. | B.S. | |
| 07/22/17 | B | DIM. 150.0 WAS 152.4 DIM. 5.0 WAS 3.18 | T.B. | B.S. | |
| | | | | | |




NOTES:

1. MATERIAL:

- HOUSING : POLYPROPYLENE
- FLAMMABILITY RATING: UL94 HB, UL FILE NO. E216959
- TEMPERATURE RANGE: -10°C TO +100°C
- RIVETS: BRASS, NICKEL PLATED.
- SPRING: SPRING STEEL, NICKEL PLATED
- WIRE: 26 AWG, UL1007, CSA, TR64, 300V, 80°C
- CONTACT RESISTANCE: UNDER 50m Ω FOR ± CONTACTS PER EIA-540J000
- ROHS COMPLIANT

MOUNTING INSTRUCTION:

USE 2-56 MACHINE SCREWS OR EYELETS 0.089" OD BY 0.15" FLANGE STIMPSON GS-3 SERIES OR EQUIVALENT. ALSO ADHESIVES AND DOUBLE SIDED TAPES WORK WELL.

| | | | |
|--------------------------------|---|--------------------------|-----------------------------------|
| Tolerance (Except as noted) |  Memory Protection Devices, Inc 200 Broad Hollow Road, Farmingdale, New York 11735 | | |
| | decimal ±.5 (.020) | Scale | Drawn By B.S. Approved By T.B. |
| Fractional ± .8 (.030) | Title TWO "N" CELL HOLDER | | |
| Angular ± 3° | Date 07/22/17 | Drawing Number BH12NW | |