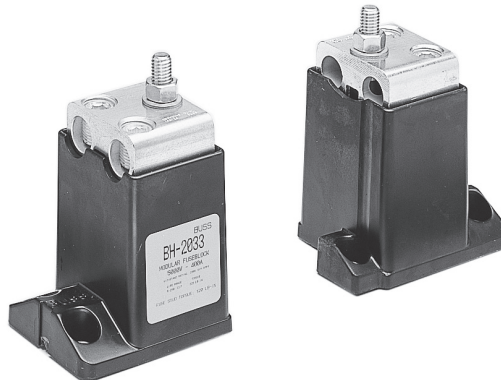


BH-2 modular fuse blocks, 700 V, 400 A

RoHS



Catalog symbol:

- BH-2_

Description:

Bussmann™ series modular fuse blocks for bolt-on high speed fuses. See mounting dimensions table for applicable Bussmann series fuse catalog numbers.

Specifications:

Ratings

- Volts - 700 V
- Amps - 400 A
- Withstand rating - 200 kA RMS Sym. or the applied fuse interrupting rating, whichever is less

Agency information

- UL® Recognized, Guide IZLT2, File E14853 up to 700 V
- CSA® Certified, Class 6225-01, File 47235 up to 700 V
- CE
- RoHS compliant

Materials

- Base - light-weight, high temperature thermoplastic
- Mounting studs - plated steel
- Washer - spring steel
- Nuts - plated steel
- Connector: tin-plated aluminum

Conductors — AWG Cu

- Connector accepts 6 - 250 kcmil



Powering Business Worldwide

Catalog number build-a-code

BH - 2 X X X

Block family

Stud size

- 1: 1/4 - 20
- 2: 5/16 - 18
- 3: 3/8 - 16

Agency information*

Wire connector (AWG Cu)*

- 0: No agency information
- 1: UL Recognized and CSA Certified

- 0: No connector
- 3: 2 hole for 6 - 250 kcmil

Notes:

1. Always check applicable end use standards for required spacing between blocks, fuses or other hardware.
2. For applications above 700 V, consult appropriate electrical standard for proper creepage distances, clearance distances and insulator voltage withstand ratings.

* Applicable only to BH-200_ configuration — no agency information, no connector.

Dimensions: — mm/in

See Table 1 for A, B and C dimensions per fuse catalog symbol/ampacity and block catalog number from build-a-code.

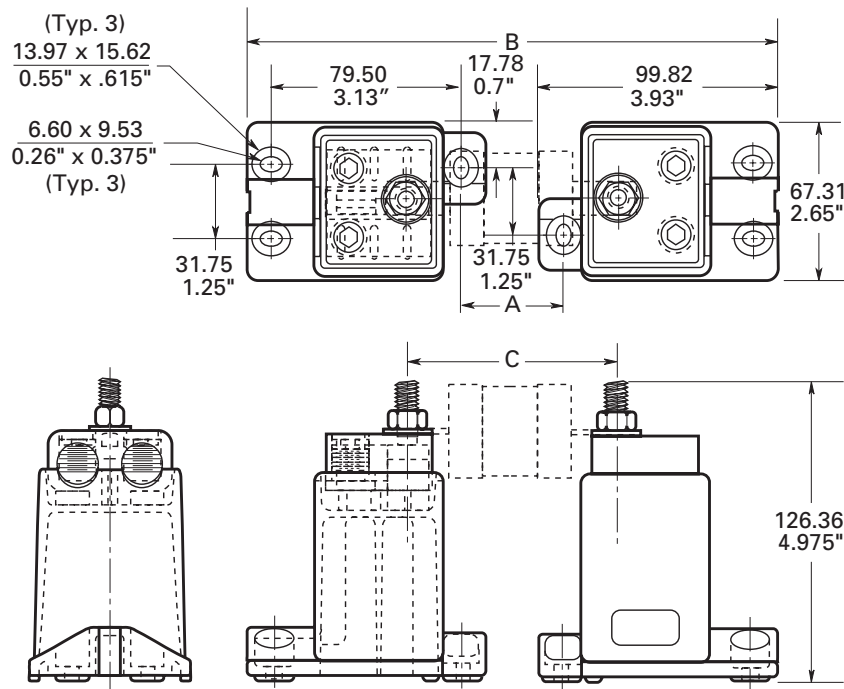


Table 1. Mounting dimensions - mm (in)

| Bussmann series fuse catalog symbol (amp range) | Fuse block cat. no. | Stud dia. (in) | Fuse volts | Dimensions — mm (in) | | |
|---|---------------------|----------------|------------|----------------------|-----------------|-----------------|
| | | | | A | B | C |
| 170E7183 | BH-2033 | 3/8 | 5000 | 450.09 (17.720) | 629.41 (24.780) | 495.05 (19.490) |
| 170E7184 | BH-2033 | 3/8 | 5000 | 450.09 (17.720) | 629.41 (24.780) | 495.05 (19.490) |
| 170E7185 | BH-2033 | 3/8 | 5000 | 450.09 (17.720) | 629.41 (24.780) | 495.05 (19.490) |
| 170E7187 | BH-2033 | 3/8 | 5000 | 450.09 (17.720) | 629.41 (24.780) | 495.05 (19.490) |
| 170E7188 | BH-2033 | 3/8 | 5000 | 450.09 (17.720) | 629.41 (24.780) | 495.05 (19.490) |
| 170E7189 | BH-2033 | 3/8 | 5000 | 450.09 (17.720) | 629.41 (24.780) | 495.05 (19.490) |
| 170E8129 | BH-2033 | 3/8 | 3300 | 163.07 (6.420) | 342.39 (13.480) | 208.03 (8.190) |
| 170E9629 | BH-2033 | 3/8 | 4000 | 299.97 (11.810) | 479.30 (18.870) | 344.93 (13.580) |
| 170E9630 | BH-2033 | 3/8 | 4000 | 299.97 (11.810) | 479.30 (18.870) | 344.93 (13.580) |

The only controlled copy of this data sheet is the electronic read-only version located on the Eaton network drive. All other copies of this document are by definition uncontrolled. This bulletin is intended to clearly present comprehensive product data and provide technical information that will help the end user with design applications. Eaton reserves the right, without notice, to change design or construction of any products and to discontinue or limit distribution of any products. Eaton also reserves the right to change or update, without notice, any technical information contained in this bulletin. Once a product has been selected, it should be tested by the user in all possible applications.

Eaton
1000 Eaton Boulevard
Cleveland, OH 44122
Eaton.com

Bussmann Division
114 Old State Road
Ellisville, MO 63021
United States
Eaton.com/bussmannseries

© 2016 Eaton
All Rights Reserved
Printed in USA
Publication No. 1201 — N02099
December 2016

Eaton and Bussmann are valuable trademarks of Eaton in the U.S. and other countries. You are not permitted to use the Eaton trademarks without prior written consent of Eaton.

CSA is a registered trademark of the Canadian Standards Group.
UL is a registered trademark of the Underwriters Laboratories, Inc.

For Eaton's Bussmann series product information, call **1-855-287-7626** or visit: **Eaton.com/bussmannseries**



Follow us on social media to get the latest product and support information.

