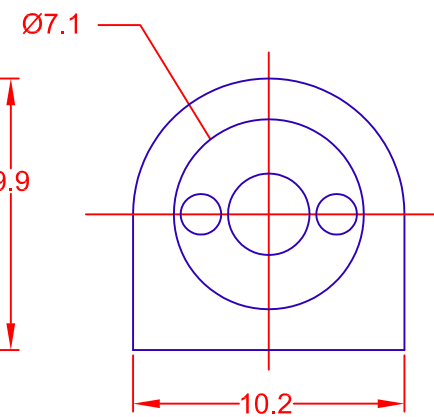
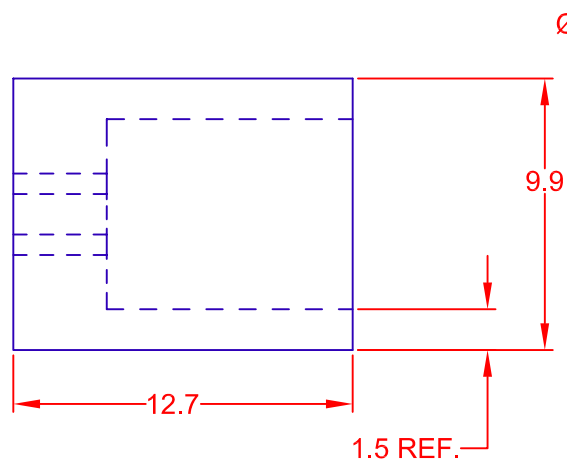
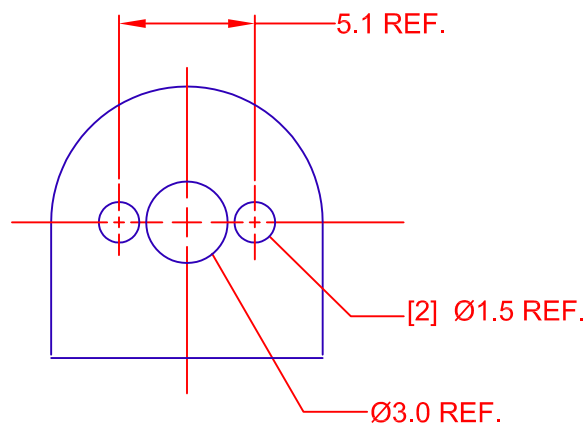


REV.	DESCRIPTION/ECO NO.	DATE
	RELEASED ON CAD	3/25/03



<p>THIRD ANGLE PROJECTION</p>	<p>METRIC</p> <p>DIMENSIONS ARE IN MILLIMETERS</p>	<p>JKL COMPONENTS CORPORATION</p>			
	<p>TOLERANCE UNLESS OTHERWISE SPECIFIED</p> <p>1 PL +/- 0.3</p> <p>2 PL +/-</p> <p>ANGLE +/- 0</p>				
<p>DRAWN BY</p> <p>L. WENGSTROM</p>	<p>APPV'D BY</p> <p>J.K.</p>	<p>DATE</p> <p>3/25/03</p>	<p>SIZE</p> <p>A</p>	<p>FSCM NO.</p> <p>55335</p>	<p>DRAWING NO.</p> <p>BF8/RC</p>
<p>- CAD DRAWING -</p> <p>MANUAL REVISIONS NOT PERMITTED</p>			<p>SCALE</p> <p>NONE</p>	<p>RELEASED DATE</p> <p>3/25/03</p>	<p>REVISION DATE</p>
				<p>REV. NO.</p>	<p>SHEET</p> <p>1 OF 1</p>