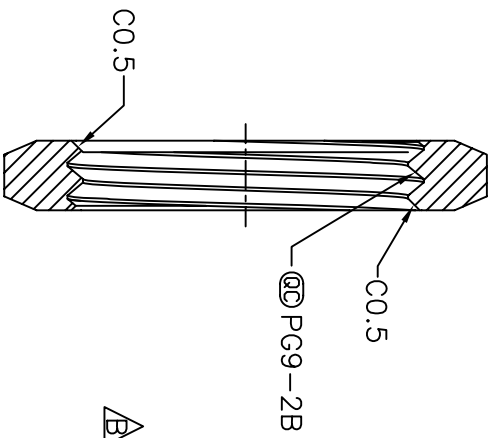
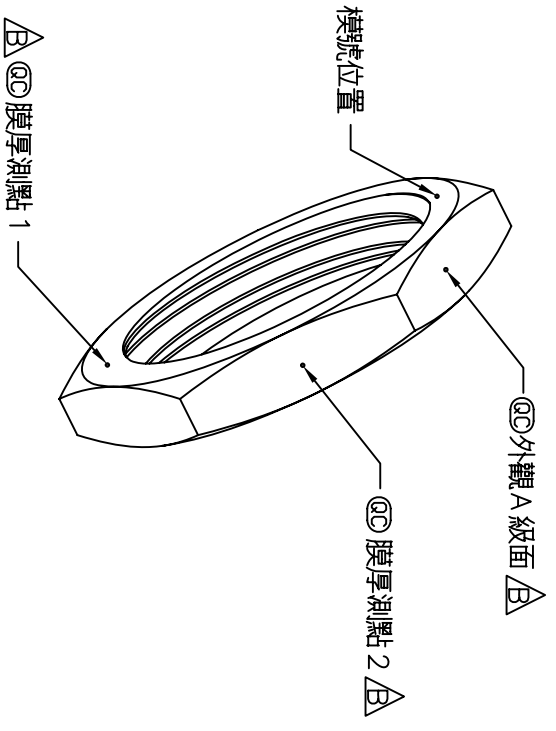
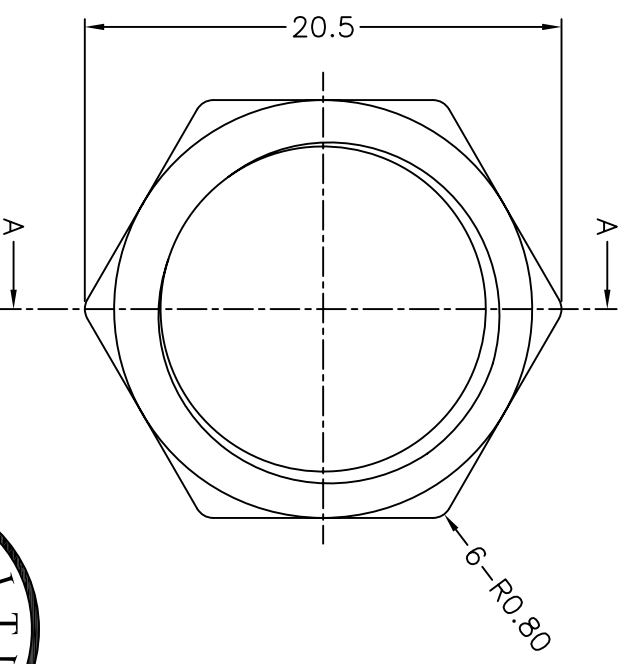
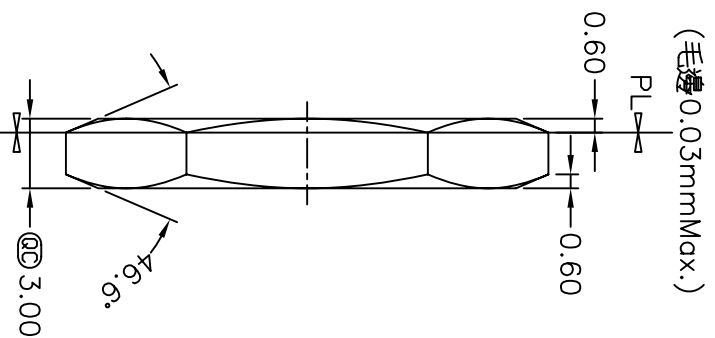
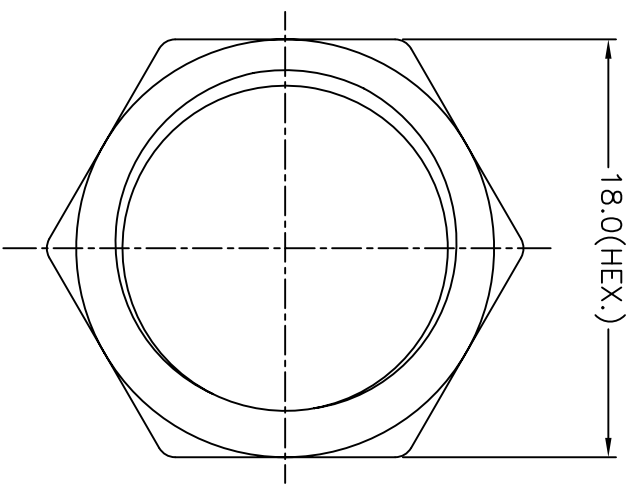


THIS DOCUMENT IS SUBJECT TO CHANGE WITHOUT NOTICE. IT IS CONFIDENTIAL AND A PROPERTY OF LTM. DISCLOSURE TO THIRD PARTY HAS TO BE AUTHORIZED BY LTM.

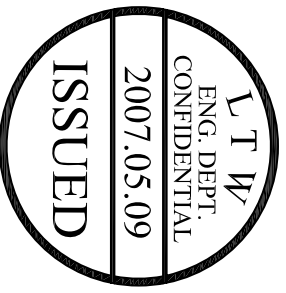
REV.	EON NO.	DATE	SIGN	DESCRIPTION
B	LEN-750070	2007/05/01	Cloud	Change the Surface Standard and add QC.



SECTION A-A

Note:

- * ◎ Important Dimension To Check.
- * Material: ZN-ZDC-3.
- * ◎ Finish: Nickel Plated, Thickness at 120u" Min. 亮面
- * Mold No.: P-0036
- * ◎ 以二級牙規為牙徑檢驗標準 (PG9)
- * ◎ 毛邊 0.03mmMax.



UNIT:mm		TITLE		ITEM NO		DRAWN BY		DATE	
TOLERANCE		M12 Panel Nut PG9		BEA00010030		Cloud		2007/05/01	
X	±0.25	SCALE	Free	SHEET	1	CHECKED BY	Simon	DATE	2007/05/01
XX	±0.1	REV.	B	SIZE	A4	APPROVED BY	Max	DATE	2007/05/08
XXX	±0.05	: Inspection Item		CUSTOMER					
ANGLES	±1°			L T W		亮泰企業股份有限公司			

8 QR020-01-01A2