

**MATERIAL**

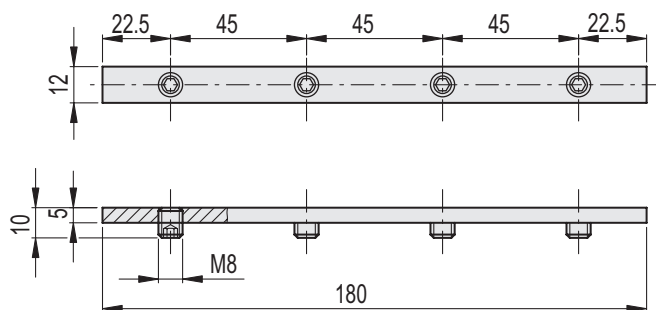
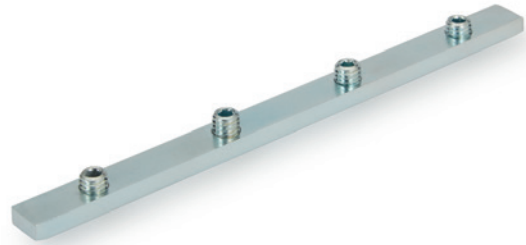
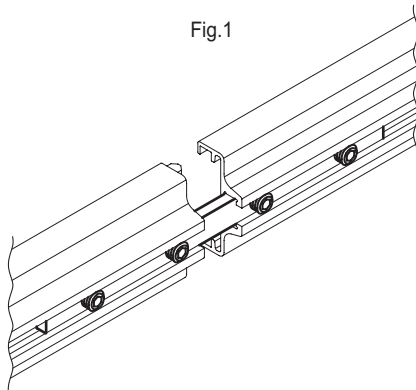
Zinc-plated steel.

**SCREWS**

Zinc-plated steel.

**FEATURES AND APPLICATIONS**

BDG connecting bar is used for connecting the profiles (Fig.1) of the different side guides (GLA) or central guides (GCA). It is supplied with 4 assembly grub screws M8x10 with hexagon socket.

**METRIC**

Code	Description	⚖
419141	BDG-12-180	80

