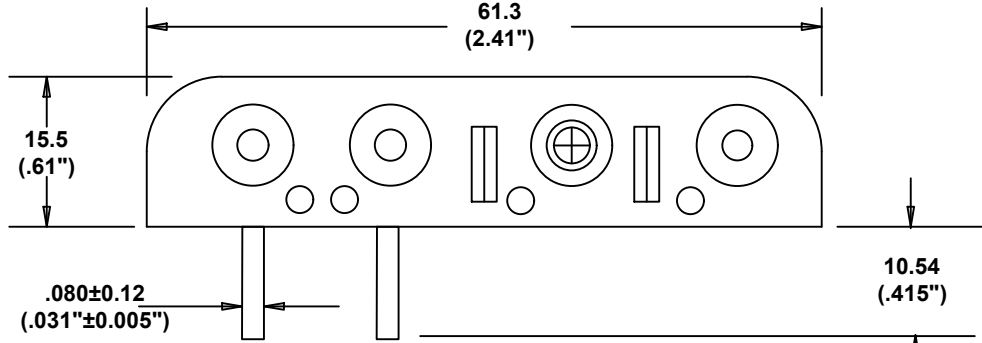
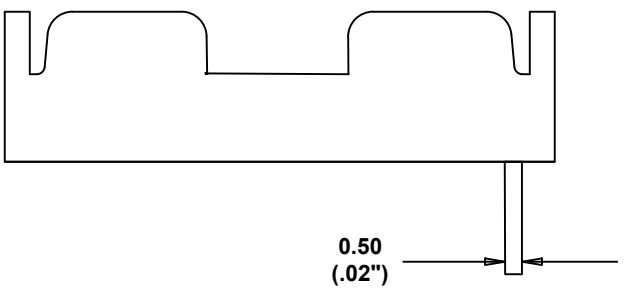
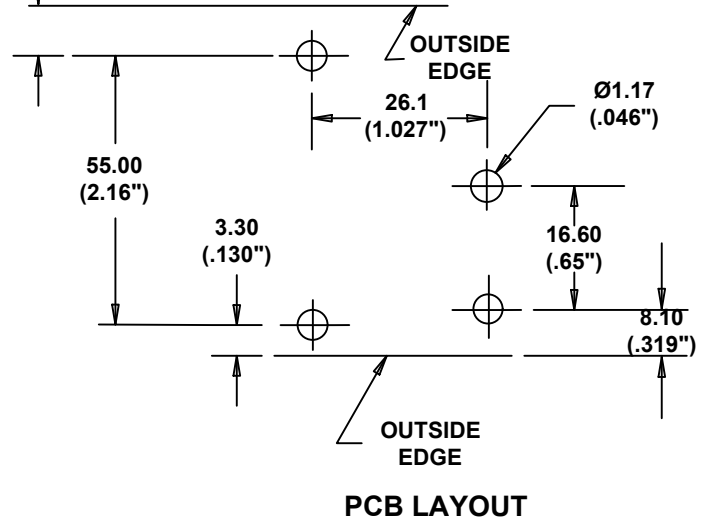
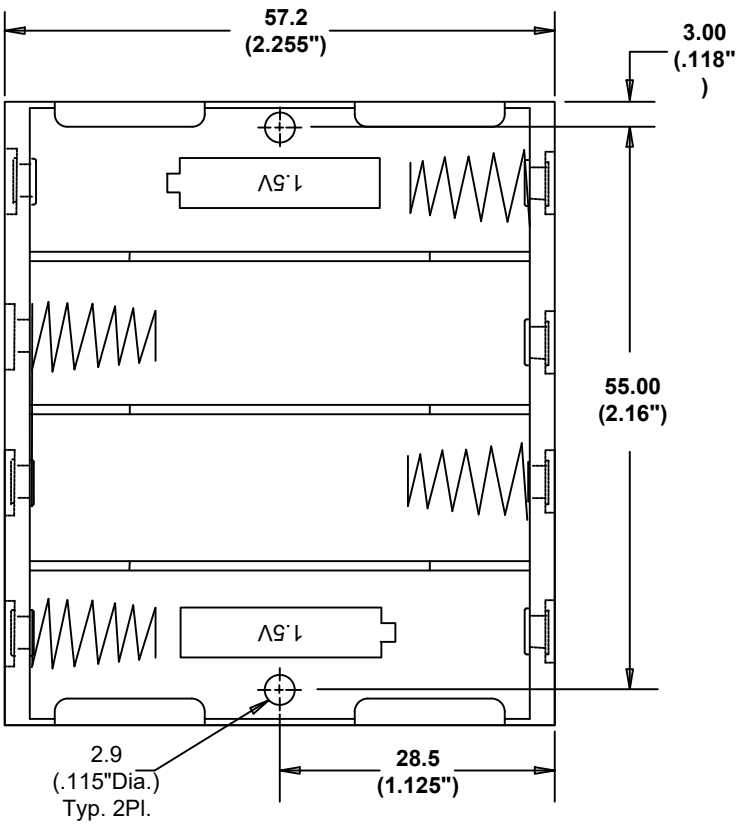



DATE	SYM	REVISION RECORD	AUTH	DR.	CK.
04/21/17	D	Updated Specifications	T.B.	B.S.	
03/07/19	E	Updated to "ROHS compliant"	T.B.	B.S.	
02/14/20	F	Dim. 0.80 was 0.89	T.B.	B.S.	



Note: Dimensions in mm. (inches)

SPECIFICATIONS :

- Plastic material - polypropylene
- Flammability Rating-UL94 HB, UL File No. E216959
- Temperature Range: -10°C to +100°C
- Springs - nickel plated spring steel
- PC Pins: Steel, Nickel Plated
- Rivets - Brass, nickel plated
- Contact Resistance: Under 50mΩ for +/- contacts per EIA-540J000
- ROHS COMPLIANT

Tolerance (Except as noted)	 Memory Protection Devices, Inc 200 Broad Hollow Road, Farmingdale, New York 11735		
decimal ±.5 (.020)		Scale	Drawn By B.S.
Fractional ± .8 (.030)	Title	Approved By T.B.	
Angular ± 3°	Date	Drawing Number	
	02/14/20	BC4AAPC	
		FOUR "AA" CELL HOLDER	