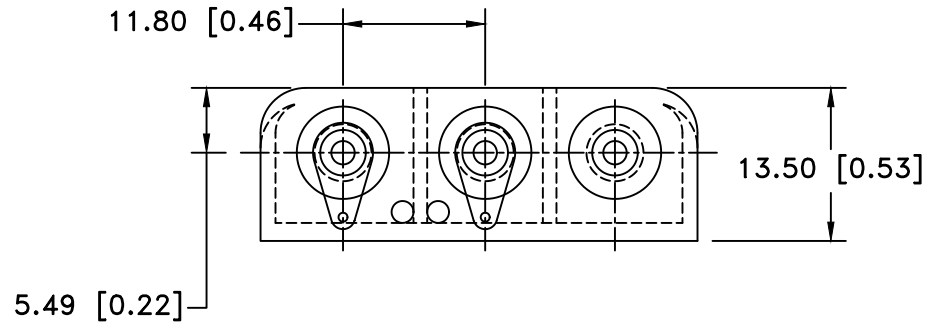
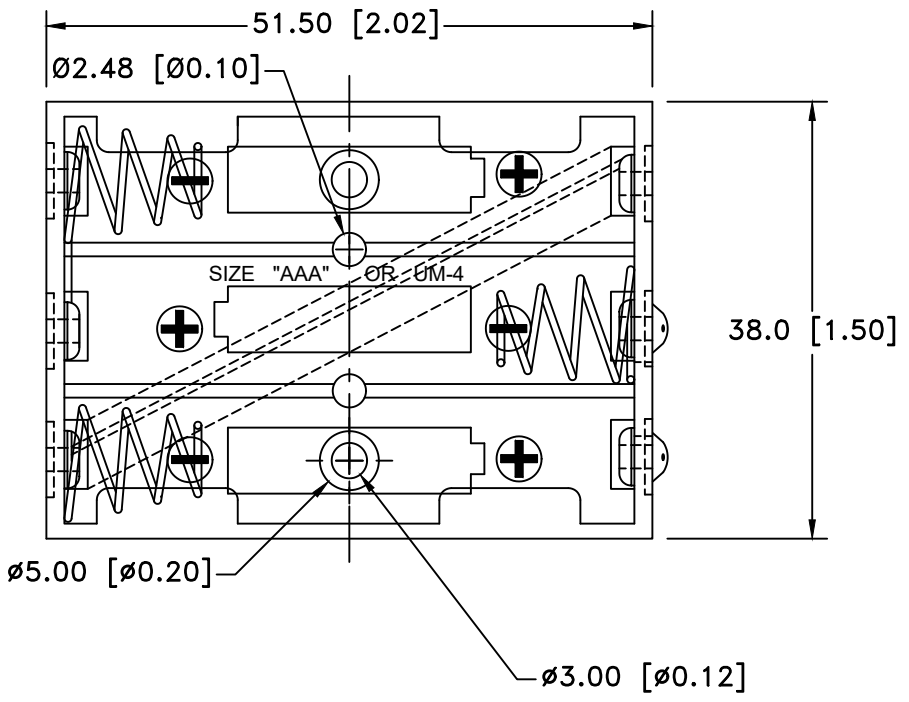



Date	SYM	REVISION RECORD	AUTH	DR.	CK.
07/07/17	F	DIM. 38.0 WAS 37.0 DIM. 2.48 WAS 2.82 DIM. 11.80 WAS 12.04 DIM. 5.49 AS 5.50	T.B.	B.S.	
03/06/19	G	UPDATED TO "ROHS COMPLIANT"	T.B.	B.S.	



NOTES:
 Plastic material - Polypropylene
 Flammability Rating -UL94-HB, UL File NO. E216959
 Temperature Range: -10°C to +100°C
 Springs - Nickel Plated Spring Steel
 Rivets - Brass, Nickel Plated
 Lugs: Brass, Nickel Plated
 CONTACT RESISTANCE: UNDER 50mΩ FOR +/- CONTACTS PER EIA-540J000
 ROHS COMPLIANT

Mounting Instruction:
 Use 2-56 machine screws or eyelets 0.089" OD by 0.15" flange stimpson GS-3 series or equivalent. also adhesives and double sided tapes work well.

Tolerance (Except as noted)	 Memory Protection Devices, Inc 200 Broad Hollow Road, Farmingdale, New York 11735	Scale	Drawn By B.S.
			Approved By T.B.
decimal ±.5 (.020)	Title THREE "AAA" CELL HOLDER WITH SOLDER LUGS		
Fractional ± .8 (.030)	Date 03/06/19	Drawing Number BC3AAAL	
Angular ± 3°			