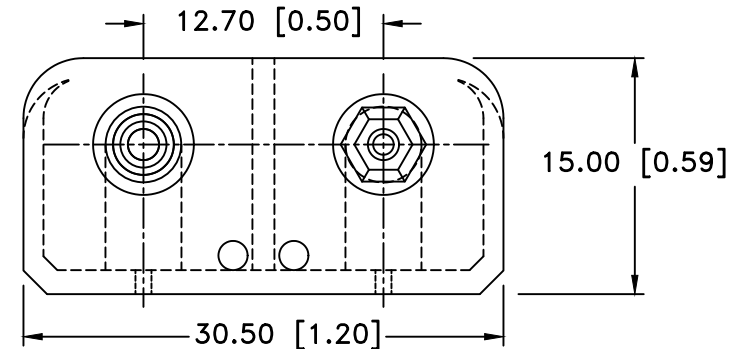
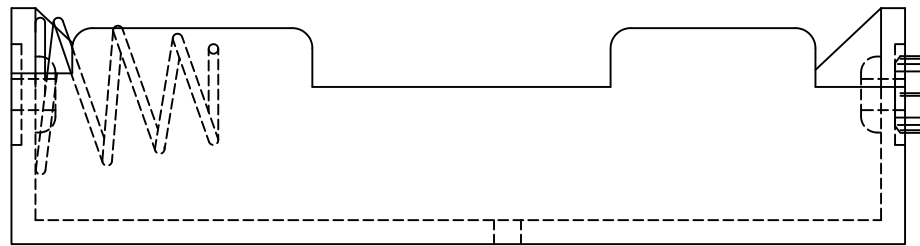


Date	SYM	REVISION RECORD	AUTH	DR.	CK.
04/29/17	G	DIM. 32.95 WAS 32.70 ADDED DIM. Ø3.65, 14.25, 15.25, 29.00	T.B.	B.S.	
02/13/19	H	REMOVED RIB ADDED CHAMFER	T.B.	B.S.	
03/06/19	J	UPDATED TO "ROHS COMPLIANT"	T.B.	B.S.	




NOTES:

1. MATERIAL:

HOUSING : BLACK POLYPROPYLENE
 FLAMMABILITY RATING -UL94-HB, UL FILE NO. E216959
 TEMPERATURE RANGE: -10°C to +100°C
 RIVETS: BRASS, NICKEL PLATED.
 SPRING: SPRING STEEL, NICKEL PLATED.
 9 VOLTS SNAPS: BRASS, NICKEL PLATED
 CONTACT RESISTANCE: UNDER 50mΩ FOR +/- CONTACTS PER
 EIA-540J000

ROHS COMPLIANT

Tolerance (Except as noted)	 Memory Protection Devices, Inc 200 Broad Hollow Road, Farmingdale, New York 11735		
	decimal ±.5 (.020)	Scale	Drawn By B.S. Approved By T.B.
Fractional ± .8 (.030)	Title TWO "AA" CELL HOLDER WITH SNAP FASTENERS		
Angular ± 3°	Date 03/06/19	Drawing Number BC2AASF	