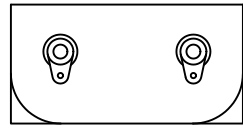
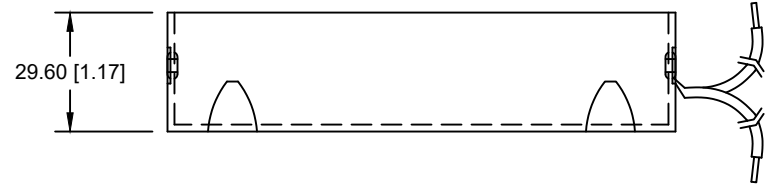
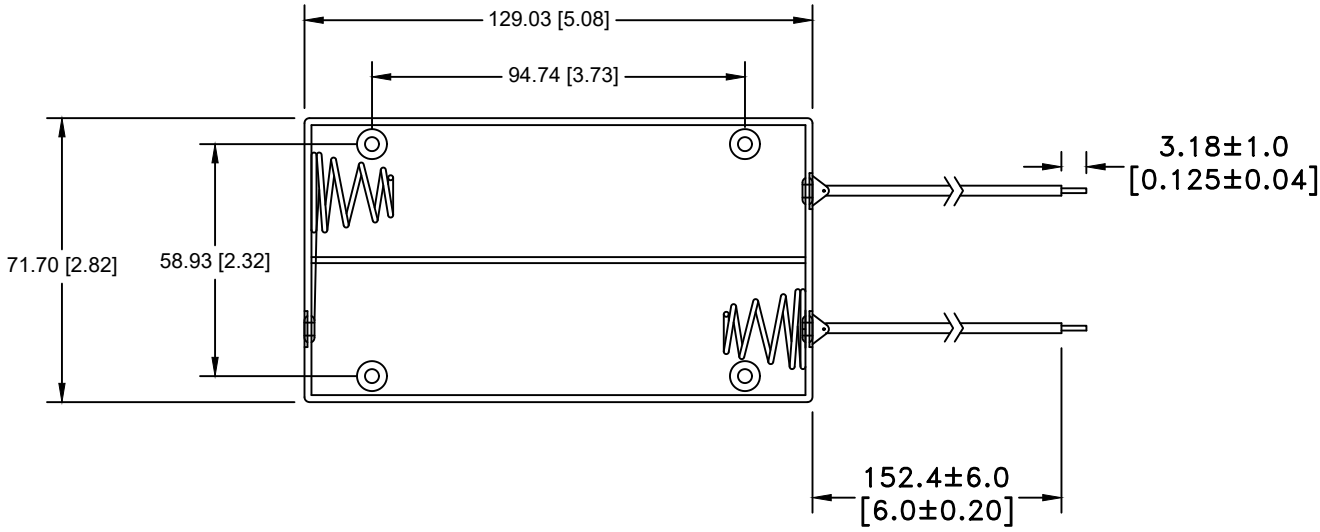


Date	SYM	REVISION RECORD	AUTH	DR.	CK.
3/07/19	C	UPDATED TO "ROHS COMPLIANT"	T.B.	B.S.	




NOTES:

SPECIFICATION:

1. MATERIAL:

HOUSING : BLACK POLYPROPYLENE
 FLAMMABILITY RATING -UL94-HB, UL FILE NO. E216959
 TEMPERATURE RANGE: -10°C to +100°C
 RIVETS: BRASS, NICKEL PLTD.
 WIRE: 26 AWG, 152.4mm LONG
 SPRING: SPRING STEEL, NICKEL PLTD.
 CONTACT RESISTANCE: UNDER 50mΩ FOR +/- CONTACTS PER EIA-540J000
 ROHS COMPLIANT

Tolerance (Except as noted)	 Memory Protection Devices, Inc 200 Broad Hollow Road, Farmingdale, New York 11735	Scale	
		decimal	Drawn By B.S.
±.5 (.020)		Approved By T.B.	
Fractional	Title		
± .8 (.030)	4 "D" CELL HOLDER WITH WIRE LEADS		
Angular	Date	Drawing Number	
± 3°	03/07/19	BC24DW	