

**MATERIAL**

Glass-fibre reinforced polyamide based (PA) technopolymer, black colour, matte finish.

**STANDARD EXECUTIONS**

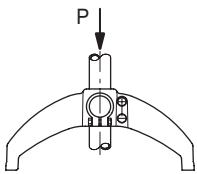
- **BAG2-180-A:** zinc-plated steel M10 screws, nuts and washers.
- **BAG2-180-SST:** AISI 304 stainless steel M10 screws, nuts and washers.

**ASSEMBLY ON LEVELLING ELEMENTS**

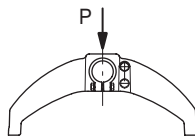
The bipod support bases are supplied with brass bosses, threaded pass-through hole for the assembly of the levelling element series LS.A (see page 1224), LV.A (see page 1238), LV.F (see page 1258).

**FEATURES**

The absence of cavities and the slightly round shapes offer modern and elegant aesthetics and guarantee the easy cleaning. Maximum tightening torque for screw assembly 35 Nm.

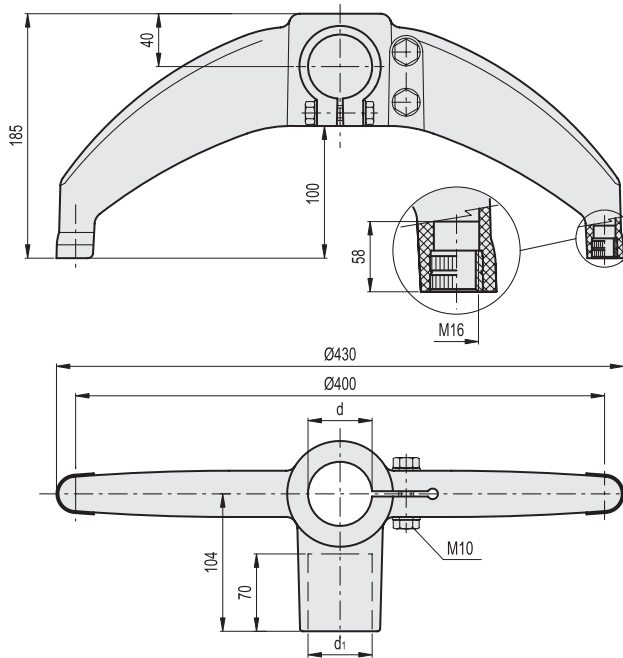


Retention force  
P = 2000 N



Max. static load  
P = 9800 N

Values obtained with tightening torque 35 Nm



Conversion Table	
1 mm = 0.039 inch	
d	
mm	inch
42.4	1.67
48.3	1.90
60.3	2.37

**BAG2-180-A**

METRIC

**BAG2-180-SST**

METRIC

INOX STAINLESS STEEL

Code	Description	d Tube (mm)	d Tube (GAS)	d1 Tube (mm)	d1 Tube (GAS)	△	Code	Description
419630	BAG2-180-42-42-A	42.4	1"1/4	42.4	1"1/4	720	419631	BAG2-180-42-42-SST
419628	BAG2-180-48-42-A	48.3	1"1/2	42.4	1"1/4	710	419629	BAG2-180-48-42-SST
419626	BAG2-180-48-48-A	48.3	1"1/2	48.3	1"1/2	700	419627	BAG2-180-48-48-SST
419624	BAG2-180-60-42-A	60.3	2"	42.4	1"1/4	690	419625	BAG2-180-60-42-SST
419622	BAG2-180-60-48-A	60.3	2"	48.3	1"1/2	680	419623	BAG2-180-60-48-SST

- 1
- 2
- 3
- 4
- 5
- 6
- 7
- 8
- 9
- 10
- 11
- 12
- 13
- 14
- 15
- 16
- 17
- 18