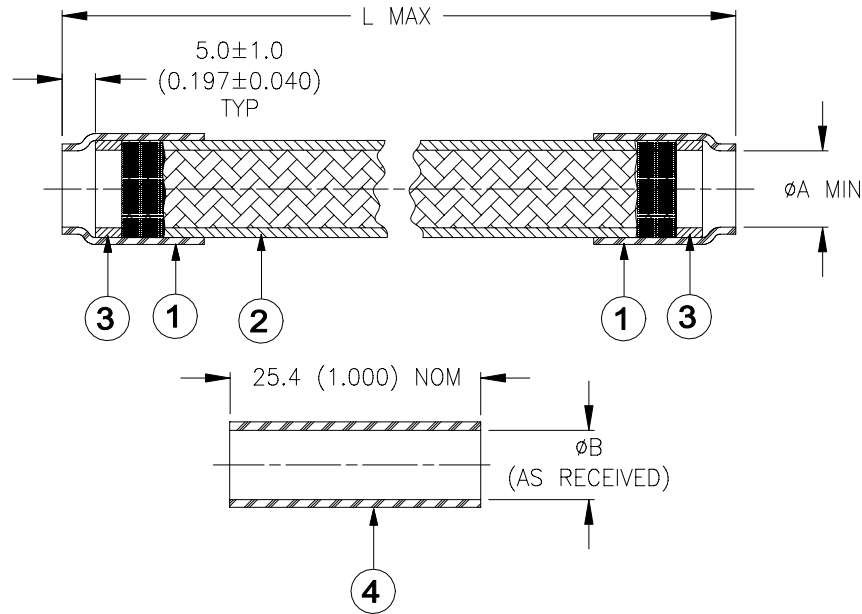


## SPECIFICATION CONTROL DRAWING



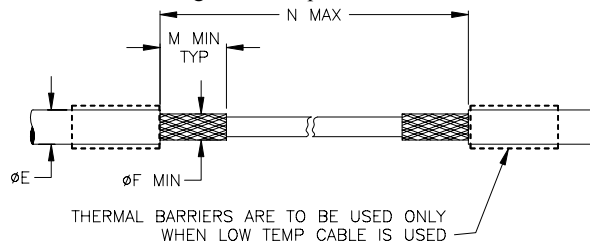
Product Rev.		Product Dimensions			Cable Dimensions			
Product Name		L max	øA min	øB	øE	øF min	M min	N max
B-600-41	A	100.00 (3.900)	4.90 (0.193)	4.78 (0.188)	2.40 to 3.80 (0.094) (0.150)	2.40 (0.094)	15.00 (0.590)	83.00 (3.270)
B-600-42	A	100.00 (3.900)	7.00 (0.276)	6.35 (0.250)	3.40 to 5.00 (0.134) (0.197)	3.50 (0.137)	15.00 (0.590)	83.00 (3.270)
B-600-43	A	115.00 (4.500)	9.00 (0.354)	9.53 (0.375)	4.50 to 7.00 (0.177) (0.276)	4.50 (0.177)	15.00 (0.590)	83.00 (3.270)

### MATERIALS

1. INSULATION SLEEVE: Heat-shrinkable, PTFE Teflon tubing.
2. SHIELD: Tin-plated copper braid, fluxed and tinned at both ends.
3. SOLDER PREFORM WITH FLUX:
  - SOLDER: TYPE Sn96 per ANSI J/STD-006.
  - FLUX: TYPE ROM1 per ANSI/J-STD-004.
4. THERMAL BARRIER: FEP Teflon tubing. Qty: 2

### APPLICATION

1. These parts are designed to provide an in-line splice between the shield of cables, rated for 135°C minimum, meeting the dimensional criteria listed, having tin or silver-plated copper shields.
2. Temperature range: -55°C to +175°C.
3. Install using Tyco Electronics/Raychem-approved convection heating tools or equivalent.



4. For best results, prepare the cable as shown.

<b>tyco</b> Electronics		Tyco Electronics Corporation 300 Constitution Drive, Menlo Park, CA. 94025, U.S.A.		<b>Raychem</b>		TITLE: SOLDERSHIELD SPLICE KIT, FLEXIBLE, SINGLE SHIELD			
Unless otherwise specified dimensions are in millimeters. [Inches dimensions are shown in brackets]						DOCUMENT NO.: <b>B-600-4X</b>			
TOLERANCES: 0.00 N/A 0.0 N/A 0 N/A		ANGLES: N/A ROUGHNESS IN MICRON		Tyco Electronics reserves the right to amend this drawing at any time. Users should evaluate the suitability of the product for their application.		PROD. REV.: <b>SEE TABLE</b>	DOC. ISSUE: <b>2</b>	DATE: <b>19-Sep-03</b>	
PREPARED BY: <b>mforonda</b>		DCR NUMBER: <b>D030460</b>		REPLACES: <b>D030443</b>		CAGE CODE : <b>06090</b>	SCALE: <b>---</b>	SIZE: <b>A</b>	SHEET: <b>1 of 1</b>

If this document is printed it becomes uncontrolled. Check for the latest revision.