

## Description

The AmPLink™ USB Adapter provides the hardware interface between the AnDAPT AmPDB1 Demonstration Board and a PC. It is used in conjunction with AmPLink Control software to program and control devices on the demonstration board.

## Key Features

### AmP Device Control

- SPI, I<sup>2</sup>C control

### Memory Programmer

- Program AmP and flash devices
- New devices can easily be added to a memory device database

### Power

- USB powered
- 5V and 3.3V outputs with current limiting

### Software

- Windows and Linux user interfaces

### Connectors

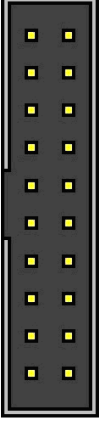
- USB type B
- 20 pin, male, keyed, 0.1" pitch

### Accessories

- USB type-B female to USB type-A male 3' cable
- 20-way, female to female, IDC cable assembly. Maximum length 4"/100mm.



## Pin Out

GND – 1		2 – CS2
AMP_SCLK – 3		4 – GND
AMP_SI – 5		6 – CS1
CS3 – 7		8 – CS4
AMP_Config – 9		10 – FLASH_RST
AMP_SO – 11		12 – GND
3.3V – 13		14 – AMP_SCL
FLASH_WP – 15		16 – AMP_SDA
AMP_ALERT – 17		18 – AMP_CTRL
AMP_EN – 19		20 – VBUS

## Functional Description

The AmPLink USB Adapter provides SPI, I2C and GPIO interfaces to the AmP evaluation board. The SPI bus is used to control the AmP device and program both AmP and flash memory. The I<sup>2</sup>C bus provides control and monitoring of the power supply functions of the AmP device. GPIO is used for evaluation board configuration and to support functions on the SPI interface. All pins use 3.3V logic except where otherwise stated.

## Pin Functional Description

<b>SPI</b>	
AMP_SCLK	Clock output Hi-Z when not in use
AMP_SI	MOSI output when communicating with AmP devices MISO input when programming flash devices Hi-Z when not in use
AMP_SO	MISO input when communicating with AmP devices MOSI output when programming flash devices Hi-Z when not in use
CS1, CS2, CS3, CS4	Chip select outputs Hi-Z when not in use
<b>I<sup>2</sup>C</b>	
AMP_SCL	Clock output Open drain with internal 2.2kΩ pull up resistor
AMP_SDA	Bidirectional data line Open drain with internal 2.2kΩ pull up resistor
AMP_ALERT	alert signal input
AMP_CTRL	control signal output
<b>Configuration</b>	
AMP_EN	AmP device enable output
AMP_Config	Configures AmP device (see AnDAPT_AmP_Platform datasheet)
FLASH_WP	Flash write protect output
FLASH_RST	Flash reset output
<b>Power</b>	
GND	Connected to USB GND and shield
VBUS	5V output with 0.5A to 0.7A current limiting
3.3V	3.3V output with 0.5A current limiting

## AmPLink12 Adapter Extension

The AmPLink12 Adapter provides reduced pin counts for applications not requiring all the functionality of the 20-pin interface. This enables the application to have a smaller footprint with fewer connections. Three Standard Interface pinouts are recommended and supported as defined follows:

Standard Interface	Total Pins	SPI	I2C	pin pitch	cable length
AmPLink12	12	yes	yes	0.1 inch	4 inches
AmPLink12 Basic	6	yes	no	0.1 inch	4 inches
AmPLink12 Basic Edge	6	yes	no	0.1 inch	4 inches

## AmPLink Pinouts

AmLink Cable Pin Table

GND	1	2	CS2
AMP_SCLK	3	4	GND
AMP_SI	5	6	CS1
CS3	7	8	CS4
AMP_Config	9	10	FLASH_RST
AMP_SO	11	12	GND
3.3V	13	14	AMP_SCL
FLASH_WP	15	16	AMP_SDA
AMP_ALERT	17	18	AMP_CTRL
AMP_EN	19	20	VBUS

AmLink12 Adapter Pin Table

Basic		I2C	
AMP_SI	1	2	GND
CS1	3	4	AMP_SDA
AMP_SCLK	5	6	AMP_ALERT
GND	7	8	AMP_SCL
AMP_SO	9	10	AMP_CTRL
AMP_Config	11	12	FLASH_RST

AmLink12 Adapter Basic Pin Table

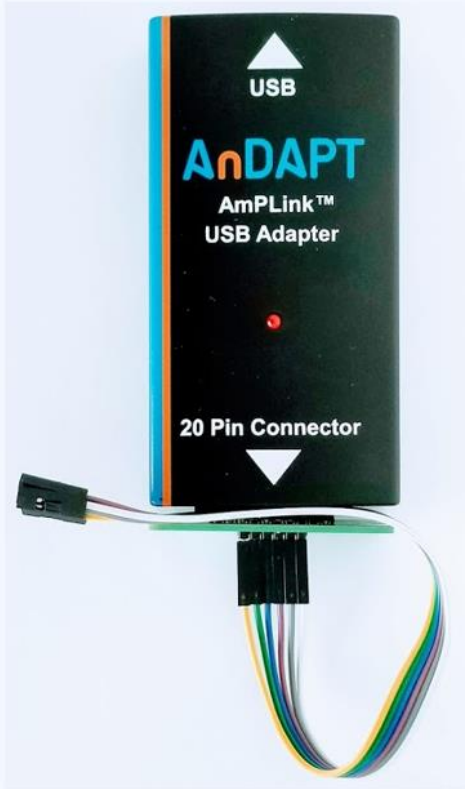
Basic	
AMP_SI	1
CS1	2
AMP_SCLK	3
GND	4
AMP_SO	5
AMP_Config	6

AmLink12 Adapter Basic Edge Pin Table

AMP_SI	1	2	CS1
AMP_SCLK	3	4	GND
AMP_SO	5	6	AMP_Config

## AmPLink Images

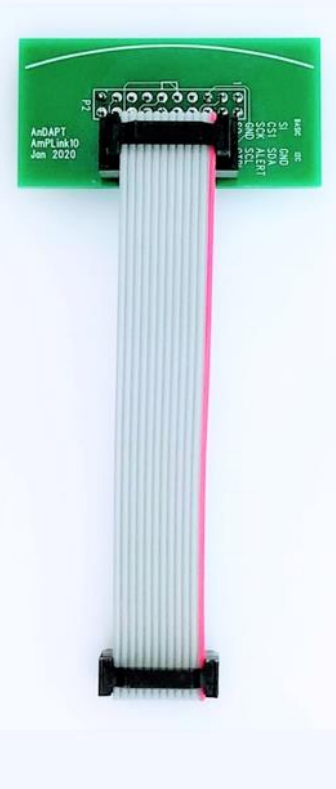
AmPLink with AmLink12 Adapter and Basic 6-Pin Cable



AmLink12 Adapter Basic 6-Pin Cable



AmLink12 Adapter 12-Pin Cable



## Electrical Characteristics

Description	Condition	Min	Typ	Max	Unit
VBUS (5V) output maximum current	current limit with foldback current limiting	500		700	mA
3.3V output maximum current	current limit with constant current limiting			500	mA
Inputs and outputs	logic levels		3.3		V
GPIO pin maximum output current				8	mA
Adapter supply current	Assuming negligible current drawn from the IO connector		80	100	mA

## Precautions for Use

The AmPLink USB Adapter features ESD protection, however, damage may occur at high ESD levels. Therefore, it is recommended that static handling precautions be followed at all times.

## Software

AmPLink software is only intended for use with AnDAPT products. It can be downloaded from <https://www.andapt.com/> WebAmP AmPLink download.

## Windows Driver Installation

The AmPLink Adapter drivers will normally be installed automatically when an Adapter is plugged into a USB port on a PC. If this does not happen use the driver setup executable available from the FTDI website at <http://www.ftdichip.com/Drivers/D2XX.htm>. Choose the latest version based on your operating system.

## Windows AmPLink Control Installation

The control software is available at <https://www.andapt.com/> WebAmP tools download page.

Download the zip file to your PC and unzip the AmPLink.zip folder onto your hard disk. Click on the executable to run the Windows control interface.

## Revision History

Date	Revision
2/1/2020	Added AmPLink12 Adapter Extension
9/1/2016	5V output can limit at between 500mA and 700mA;
8/1/2016	Initial

## Trademarks

© 2020 AnDAPT, the AnDAPT logo, AmP, WebAmP, AmPLink, AmPScope and other designated brands included herein are trademarks of AnDAPT in the United States and other countries. All other trademarks are the property of their respective owners.