

Aluminum Foil Tape

ALTC Series

RoHS & REACH Compliant

Aluminum Foil Tape, also known as EMI-RFI Shielding Tape, is made of 2 mil thick aluminum foil with 1.2 mil acrylic adhesive. The tape is durable and conform to uneven or irregular surfaces. Designed for EMI and RFI shielding applications. It is resistant to flame, moisture, UV degradation and chemicals. The tape has a high strength backing that provides superior resistance to puncture and tear.

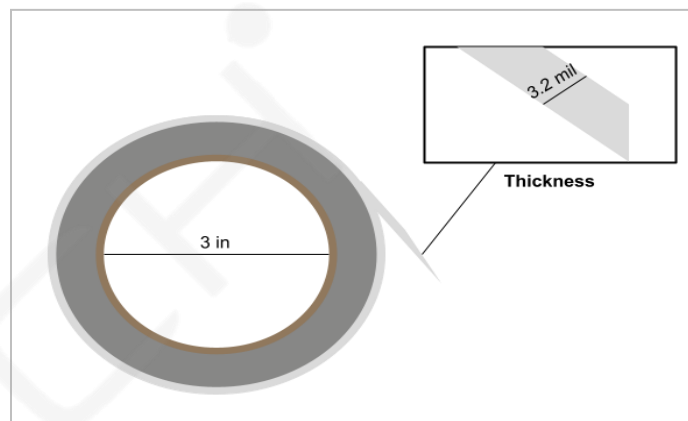
Applications

- Printed Circuit Board manufacturing and repair
- Designed for HVAC, EMI and RFI shielding applications
- Designed for HVAC, EMI and RFI shielding applications

Product Specifications ⁽¹⁾

Color	Silver	
Adhesion Type	Acrylic	
Film Thickness	2 Mil	ASTM D-3652
Adhesive Thickness	1.2 Mil	
Total Thickness	3.2 Mil	ASTM D-3652
Adhesion to Steel	35 Oz./In	ASTM D-3330
Shielding Effectiveness	70dB—80dB	
Operating Temperature	-10°C (14°F) to 80°C (176°F)	
Resistance to acids, oils, solvents	Excellent	
Length	18 Yards	
Tensile Strength	20 lbs./in	ASTM D-3759
Core	3 in. Plastic Core	

⁽¹⁾ Specifications are subject to change at any time. If you have any questions, please contact us for the latest update.



Bertech® makes no warranty, representation, or guarantee regarding the information contained herein or the suitability of its this product for any particular purpose, nor does Bertech® assume any liability whatsoever arising out of the application or use of this product. It is ultimately the responsibility of the customer to determine a product's suitability for a particular application.



Bertech
640 Maple Ave
Torrance, CA 90503
Phone: (310) 787-0337
Email: sales@bertech.com
www.bertech.com

PRODUCT DATA SHEET