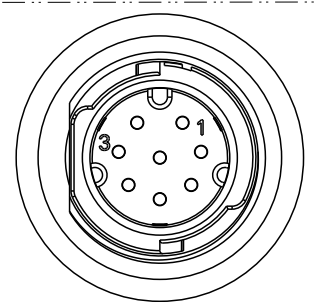
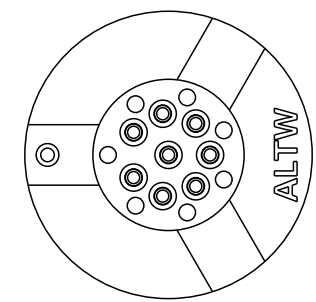
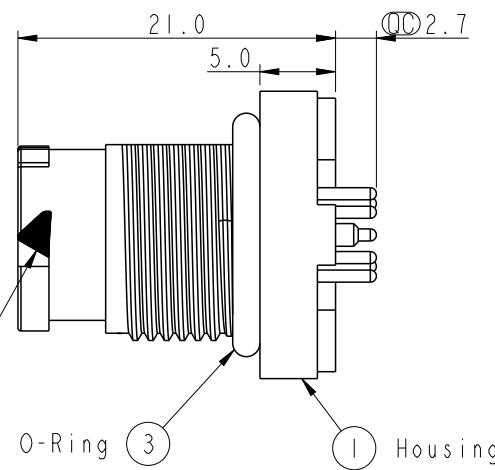
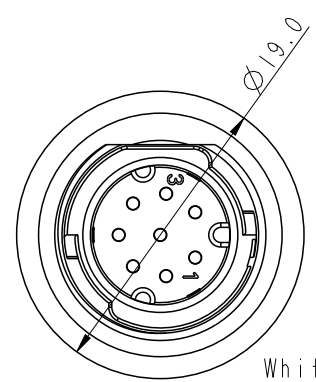


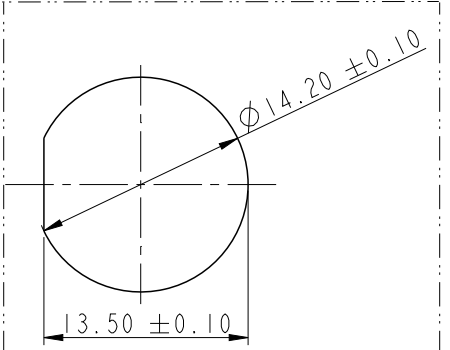
THIS DOCUMENT IS SUBJECT TO CHANGE WITHOUT NOTICE. IT IS CONFIDENTIAL AND A PROPERTY OF AMPHENOL LTW. DISCLOSURE TO THIRD PARTY HAS TO BE AUTHORIZED BY AMPHENOL LTW.

REV.	ECN NO.	DATE	SIGN	DESCRIPTION
A		2019/05/22	Gill Lai	02版轉A版

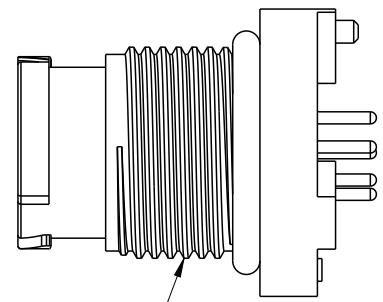
**ALTW**  
**CONFIDENTIAL**  
**2019-05-22**  
**R&D DEPT.**



Pin Assignments  
Front View



Recommend Panel Cut Out



9/16" - 24 UNS

- Note:
- \*  $\text{CC}$  Important Dimension To Check
  - \* Waterproof Rate: IP68, Unmated.  
In 1 meter water within 24 hours
  - \* Housing: Thermoplastic, Black.
  - \* Pin: Copper Alloy, Gold Plated.
  - \* Nut: Thermoplastic, Black.
  - \* Gasket: Rubber, Gray.
  - \* Use Without Waterproof Cap  
Panel Thickness Max: 4.0mm
  - \* Use With Waterproof Cap  
Panel Thickness Max: 3.0mm
  - \* For PCB Thickness Max: 2.0mm
  - \* Nut are packed separately in Zipper bags.

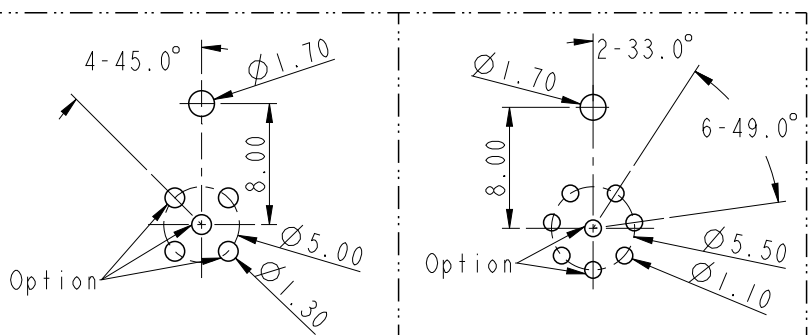
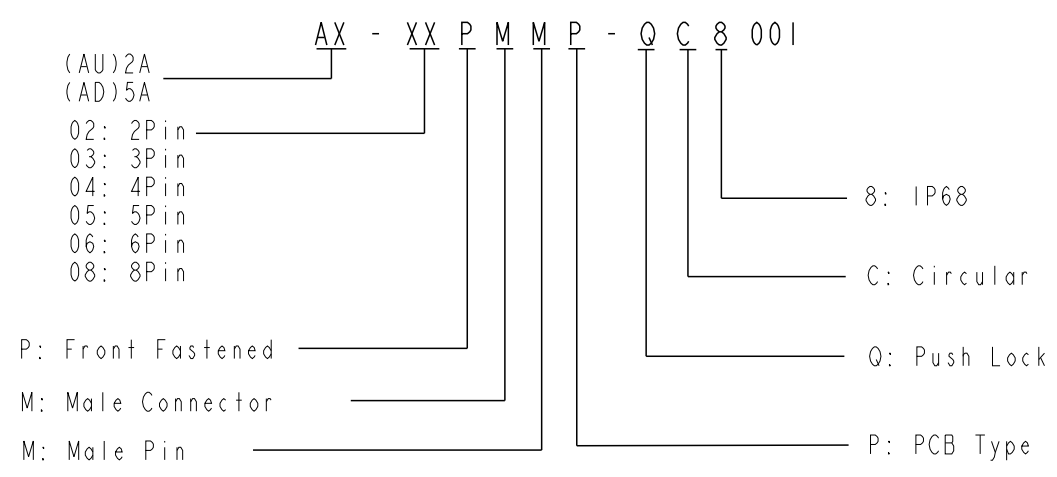
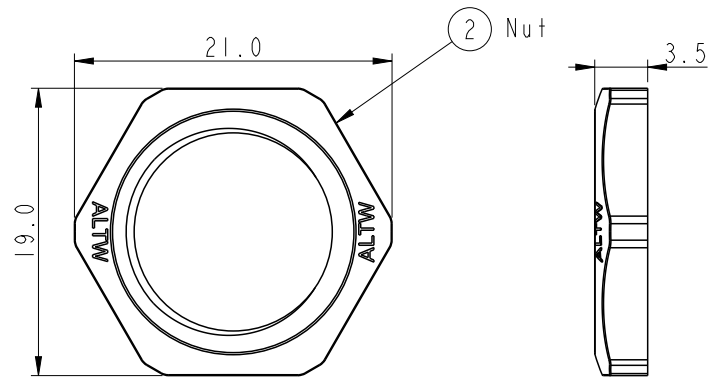
UNIT:mm		
TOLERANCE $\pm 0.25$		

TITLE X Lok A-Size Receptacle Front Fastened M Conn M Pin			
SCALE 2:1	SIZE A4	SHEET 1 OF 2	
REV. A	WC-REV. A.5	$\text{CC}$ : Inspection item	

**Amphenol LTW**  
**安費諾亮泰企業股份有限公司**

ITEM NO AX-XXPMP-OC8001	DRAWN BY Gill Lai	DATE 2019/05/22
DWG NO AX-XXPMP-OC8001	CHECKED BY Sam Ho	DATE 2019/05/22
CUSTOMER ALTW	APPROVED BY Fred Lee	DATE 2019/05/22

THIS DOCUMENT IS SUBJECT TO CHANGE WITHOUT NOTICE. IT IS CONFIDENTIAL AND A PROPERTY OF Amphenol LTW. DISCLOSURE TO THIRD PARTY HAS TO BE AUTHORIZED BY Amphenol LTW.



Recommended PCB Layout  
Tolerance  $\pm 0.05$   
ANGLES  $\pm 1^\circ$

2PIN	3PIN	4PIN	5PIN	6PIN	8PIN
AD-02PMMP-QC8001	AD-03PMMP-QC8001	AD-04PMMP-QC8001	AD-05PMMP-QC8001	AU-06PMMP-QC8001	AU-08PMMP-QC8001

UNIT:mm		TITLE X Lok A-Size Receptacle Front Fastened M Conn M Pin	
TOLERANCE $\pm 0.25$		SCALE 2:1	SIZE A4
		REV. A	WC-REV. A.5
		SHEET 2 OF 2	
		QC: Inspection item	

**Amphenol LTW**  
安費諾亮泰企業股份有限公司

ITEM NO AX-XXPMMP-QC8001	DRAWN BY Gill Lai	DATE 2019/05/22
DWG NO AX-XXPMMP-QC8001	CHECKED BY Sam Ho	DATE 2019/05/22
CUSTOMER ALTW	APPROVED BY Fred Lee	DATE 2019/05/22