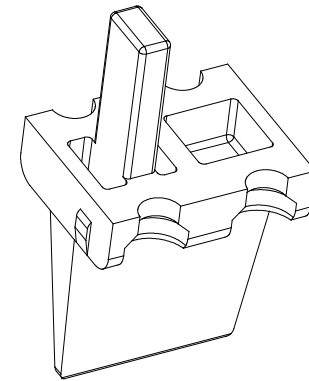
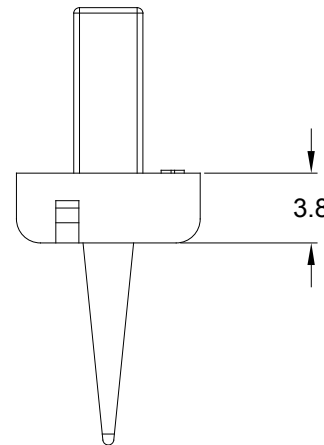
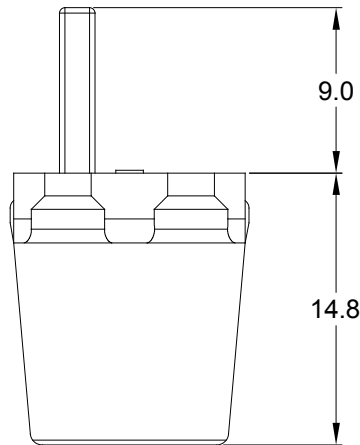
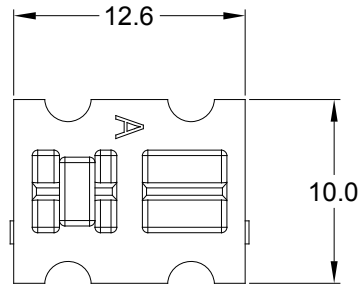


REVISIONS

REV	ECO	DESCRIPTION	DATE	BY	APPR
A1	--	RELEASE DRAWING	05/DEC/19	SULLEN	TOMMY



NOTES: UNLESS OTHERWISE SPECIFIED

1. MATERIAL: THERMOPLASTIC; COLOR: SEE SHEET 2
2. RoHS COMPLIANT
3. CAVITIES: 4
4. KEYED: SEE SHEET 2
5. USE WITH CONNECTORS ATP04-4P\*  
(\* = MODIFICATIONS AND COLORS)
6. ALL DIMENSIONS ARE FOR REFERENCE USE ONLY.

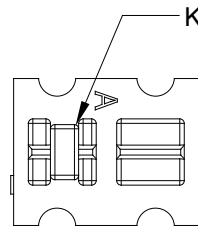
	SEE SHEET 2		
QUANTITY	PART NUMBER	DESCRIPTION	ITEM

MATERIALS LIST

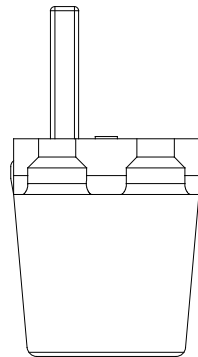
<p>UNLESS OTHERWISE SPECIFIED</p> <p>1) All dimensions are in metric(mm).</p> <p>2) Tolerances are as follows:                  1 PL DEC ±0.30    Fractions ±1/64                  2 PL DEC ±0.15    Angles ±1°                  3 PL DEC ±0.08</p> <p>3) Note reference = </p>		<p>SIGNATURES</p> <p>DRAWN: SULLEN.ZHANG</p> <p>CHECKED: ORION.LI</p> <p>ENGINEER:</p> <p>APPROVAL: TOMMY.XIE</p> <p>CUSTOMER:</p>	<p>DATE</p> <p>05/DEC/19</p> <p>05/DEC/19</p> <p>05/DEC/19</p>	<p><b>Amphenol</b></p> <p>Sine Systems - www.amphenol-sine.com                  44724 Morley Drive                  Clinton Township, MI 48036</p>
<p>MATERIAL SPECIFICATIONS:</p> <p>PROCESS SPECIFICATIONS:</p> <p>NEXT ASSY:</p>	<p>THIS DRAWING IS SUPPLIED FOR INFORMATION ONLY. DESIGN FEATURES, SPECIFICATIONS AND PERFORMANCE DATA SHOWN HEREON ARE THE PROPERTY OF THE AMPHENOL CORPORATION. NO RIGHTS OF REPRODUCTION ARE IMPLIED. ALL DIMENSIONS ARE SUBJECT TO NORMAL MANUFACTURING VARIATIONS.</p>		<p>P-WEDGELOCK,4 POS,ATP SERIES</p>	
<p>SIZE: <b>A</b></p> <p>SCALE: NONE</p>		<p>TYPE: <b>C-</b></p>	<p>DWG NO: <b>AWP-4PX</b></p>	<p>REVISION: <b>A1</b></p>
			<p>SHEET 1 OF 2</p>	

REVISIONS

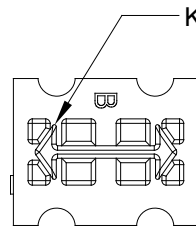
REV	ECO	DESCRIPTION	DATE	BY	APPR
A1	--	RELEASE DRAWING	05/DEC/19	SULLEN	TOMMY



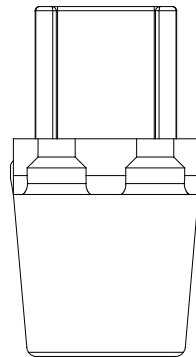
KEYED A



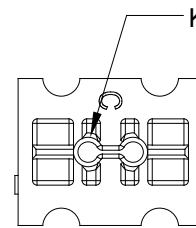
AWP-4PA  
GRAY



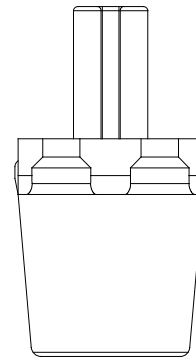
KEYED B



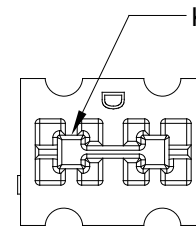
AWP-4PB  
BLACK



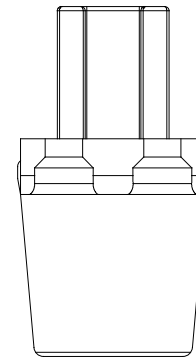
KEYED C



AWP-4PC  
GREEN



KEYED D



AWP-4PD  
BROWN

QUANTITY	AWP-4PX PART NUMBER	DESCRIPTION	ITEM
----------	------------------------	-------------	------

MATERIALS LIST

UNLESS OTHERWISE SPECIFIED

- 1) All dimensions are in metric(mm).
- 2) Tolerances are as follows:  
 1 PL DEC ±0.30      Fractions ±1/64  
 2 PL DEC ±0.15      Angles ±1°  
 3 PL DEC ±0.08

3) Note reference =

MATERIAL SPECIFICATIONS:

PROCESS SPECIFICATIONS:

NEXT ASSY:

SIGNATURES	DATE
DRAWN: SULLEN.ZHANG	05/DEC/19
CHECKED: ORION.LI	05/DEC/19
ENGINEER:	
APPROVAL: TOMMY.XIE	05/DEC/19
CUSTOMER:	

THIS DRAWING IS SUPPLIED FOR INFORMATION ONLY. DESIGN FEATURES, SPECIFICATIONS AND PERFORMANCE DATA SHOWN HEREON ARE THE PROPERTY OF THE AMPHENOL CORPORATION. NO RIGHTS OF REPRODUCTION ARE IMPLIED. ALL DIMENSIONS ARE SUBJECT TO NORMAL MANUFACTURING VARIATIONS.

# Amphenol

Sine Systems - www.amphenol-sine.com  
44724 Morley Drive  
Clinton Township, MI 48036

P-WEDGELOCK,4 POS,ATP SERIES

SIZE <b>A</b>	TYPE <b>C-</b>	DWG NO: <b>AWP-4PX</b>	REVISION <b>A1</b>
SCALE: NONE		SHEET <b>2</b> OF <b>2</b>	