

Features:

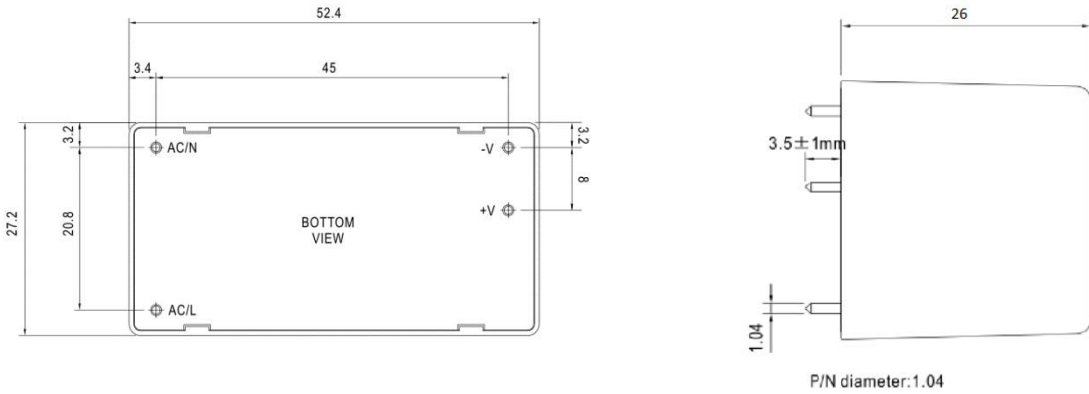
- Compact size, PCB mount
- Industry leading 300VAC Universal AC input
- RF friendly shielded case dramatically reduces emissions enabling close proximity placement to RF circuits and antennas
- 85°C Ambient Temperature Operation
- Protection: Short Circuit, Overload, Over Voltage, Over Temperature
- Free air Convection Cooling
- Isolation Class II
- No load power consumption < 0.1W
- 100% full load burn-in test
- High reliability
- 1 Year Warranty


Specifications

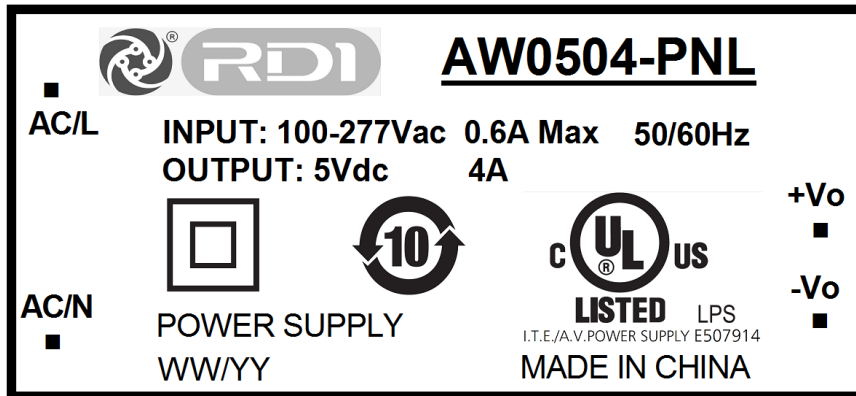
MODEL		AW0504-PNL
OUTPUT	DC VOLTAGE	5V
	RATED CURRENT	4A
	CURRENT RANGE	0~4A
	RATED POWER	200mVp-p
	RIPPLE / NOISE (max.)	±2.5%
	VOLTAGE TOLERANCE	±0.5%
	LINE REGULATION	±1%
	SETUP/RISE TIME	1000ms, 20ms/230VAC 1000ms, 20ms/115VAC at full load
	HOLD UP TIME	40ms/230VAC 8ms/115VAC at full load
INPUT	VOLTAGE RANGE	100VAC ~ 300VAC, 120VDC ~ 370VDC
	FREQUENCY RANGE	47Hz ~ 440Hz
	EFFICIENCY (Typ.)	79%
	AC CURRENT (Typ.)	0.6A @ 115VAC, 0.4A @ 230VAC

MODEL		AW0504-PNL
	INRUSH CURRENT (Typ)	COLD START 20A @ 115VAC, 40A @ 230VAC
	LEAKAGE CURRENT	< 0.25mA / 240VAC
PROTECTION	OVERLOAD	115% ~ 160% rated output power
		Protection type: Hiccup mode, recovers automatically after fault condition is removed
	OVER VOLTAGE	5.75V ~ 6.75V Protection type: Shut off O/P voltage, clamping by Zener diode
ENVIRONMENT	WORKING TEMP.	-30°C ~ +85°C (Refer to "Derating Curve")
	WORKING HUMIDITY	20% ~ 90% RH non-condensing
	STORAGE TEMP HUMIDITY	-40°C ~ +85°C, 10% ~ 95% RH
	TEMP. COEFFICIENT	±0.03% / °C (0°C ~ 50°C)
	VIBRATION	10Hz ~ 500Hz, 5G 10min. / 1-cycle, period for 60 min. each along X, Y, Z axes
SAFETY / EMC	SAFETY STANDARDS	UL62368, TUV EN62368 approved
	WITHSTAND VOLTAGE	I/P - O/P: 3KVAC
	ISOLATION RESISTANCE	I/P - O/P: 100M Ohms / 500VDC / 25% - 70% RH
	EMC EMISSION	Compliance to EN55032 (CISPR32) Class B, EN61000-3-2,-3
	EMC IMMUNITY	Compliance to EN61000-4-2,3,4,5,6,8,11, EN55024, heavy industry level (surge L-N:1KV), criteria A
OTHERS	MTBF	970.3Khrs min. MIL-HDBK-217F (25°C)
	DIMENSION	52.4 * 27.2 * 24mm (L * W * H)
	PACKING	0.05Kg / 240pcs / 13Kg / 0.97CUFT

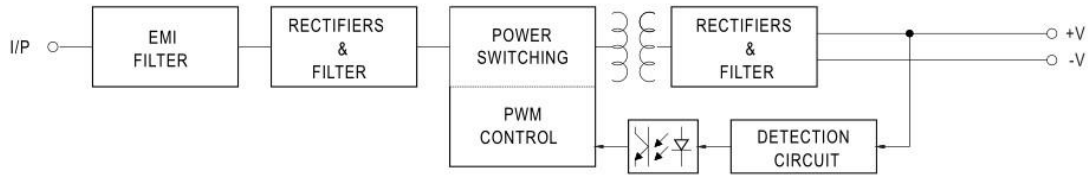
Mechanical Specifications



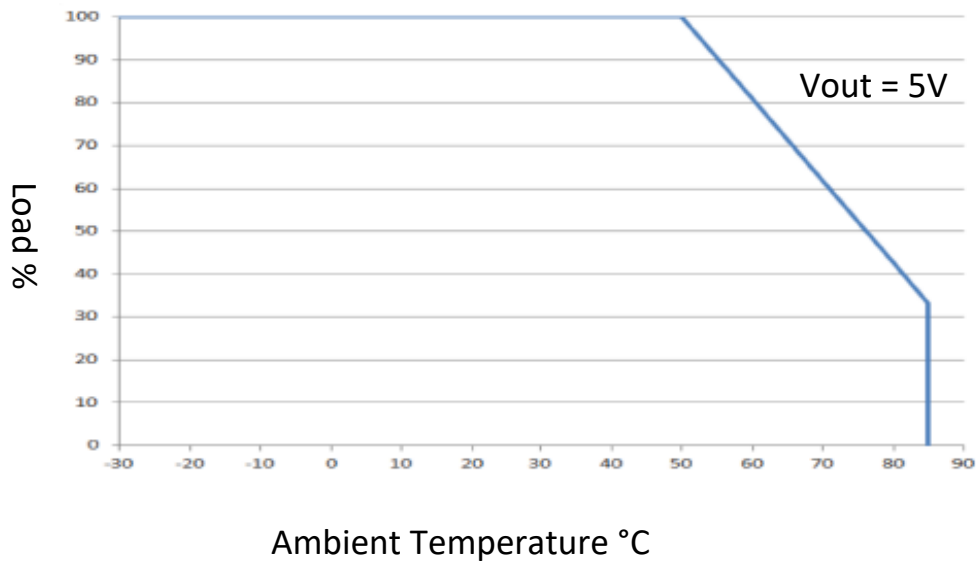
Labeling



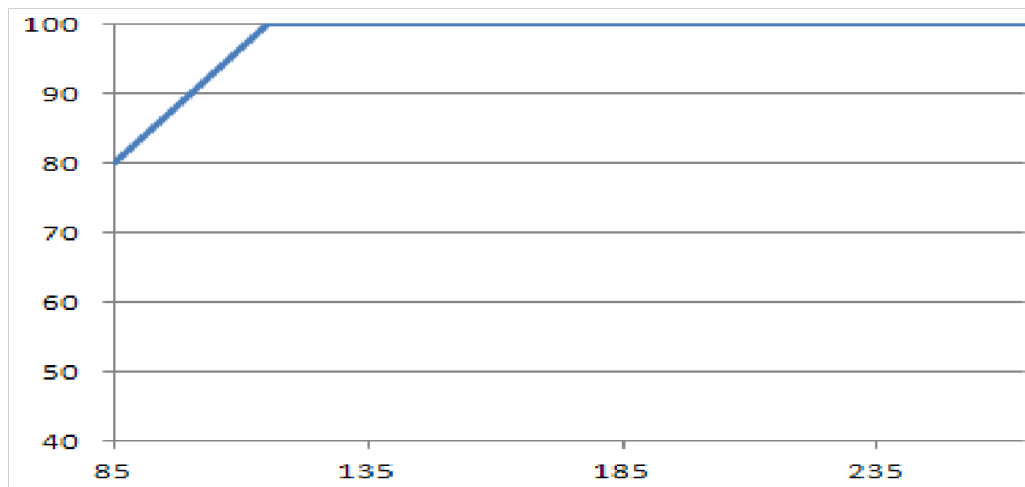
Block Diagram



Temperature Derating Curve



Output Derating vs. Input Voltage



Notes

1. The parts are manufactured in accordance with this specification. If other conditions and specifications which are required for this specification, please contact RDI for more information.
2. RDI will supply the parts in accordance with this specification unless we receive a written request to modify prior to an order placement.
3. In no case shall RDI be liable for any product failure from in appropriate handling or operation of the item beyond the scope of this specification.
4. When changing your production process, please notify RDI immediately.
5. RDI products are COTS – Commercial-Off-The-Shelf products; suitable for Commercial, Industrial and Consumer Applications. RDI's products are not specifically designed for Military, Aviation, Aerospace, Life-dependent Medical applications or any application requiring high reliability where component failure could result in loss of life and/or property. For applications requiring high reliability and/or presenting an extreme operating environment, written consent and authorization from RDI is required. Please contact RDI for more information.