



T3 TIMER (Delay on Break)

T3K-AVGTMR-xxx

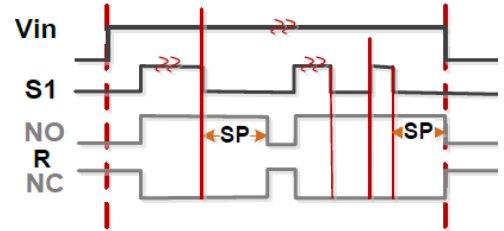


Timer Features:

- Microcontroller based timing
- Remaining/Elapsed Time Display
- Optional Password protection for unit/range
- Set time range from 0.01 sec to 999 hours
- Digital setting with 1% resolution, 1% Absolute Accuracy, and 1% Repeat Accuracy

Timer Function:

Input power must be applied before and during timing. When the switch (S1) is closed, the Relay (R) is energized (contacts transfer). The time delay (SP) begins when switch is opened (negative edge-triggered) and the relay remains energized during timing. The output de-energizes at the end of time delay.
 Note: Closing the switch while timing will reset the time delay while the output remains energized. Losing power resets the time delay and de-energizes the output.



TECHNICAL DATA TIME DELAY

Range: Depends on the Time Unit

- SEC** 0.01 - 9.99 seconds
- SEC** 1-999 seconds
- min** 1-999 minutes
- Hr** 1-999 hours

Repeat Accuracy: +/-1% or 20 ms, whichever is greater

Reset Time: 5 ms max. (2 ms typical)

ENVIRONMENTAL

Storage Temperature: -50°C to 150°C
Operating Temperature: -20°C to 60°C

INPUT

Operating Voltage:

120, 240 VAC; 12, 24 VDC ±10%
 (Unfiltered input voltage to DC Models must be full-wave rectified)

Power Consumption: 3 VA max.

Frequency: 50/60 Hz

PROTECTION

Dielectric Breakdown: 2000 VAC, RMS min. at 60 Hz between input and outputs and 1000VAC between outputs

Polarity: DC units are reverse polarity protected

OUTPUT

Type: Relay contacts

General Form:

DPDT (Double Pole Double Throw), 2 form C
 Note: Model T3K-AVGTMR-441 supports SPDT (Single Pole Double Throw)

Rating: 7A max. Resistive at 250 VAC; 100 mA at 5 VDC min. load current

Life (Number of Operations):

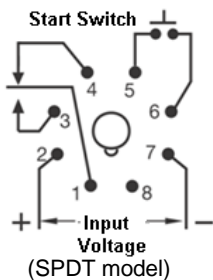
Mechanical: 1×10^7
 Electrical: 1×10^5

MECHANICAL DATA – WIRING AND DIMENSIONS

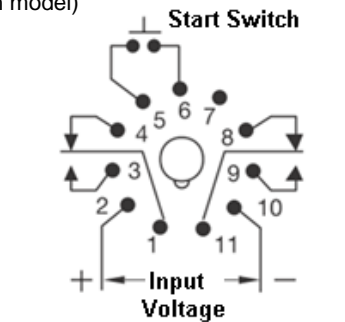
Termination: 8-pin or 11-pin plug (depending on model)

Mounting type: Socket Mount

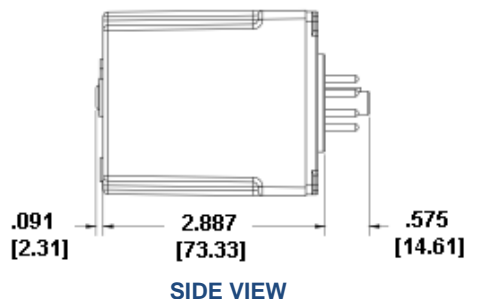
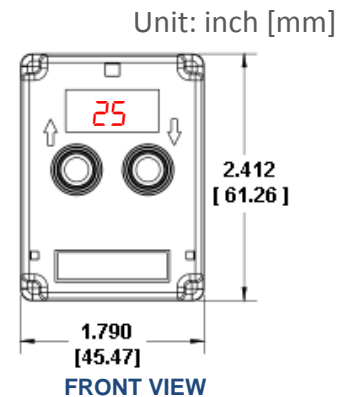
Dimensions: 1.790 x 2.887 x 2.412 in.



8-PIN CONFIGURATION



11-PIN CONFIGURATION
 (Polarity is shown for DC models)



HOW TO ORDER

Timers:

- 12 VDC, 11 pin (DPDT Relay Out)
- 24 VDC, 11 pin (DPDT Relay Out)
- 120 VAC, 11 pin (DPDT Relay Out)
- 120 VAC, 8 pin (SPDT Relay Out)
- 240 VAC, 11 pin (DPDT Relay Out)

- T3K-AVGTMR-466
- T3K-AVGTMR-462
- T3K-AVGTMR-461
- T3K-AVGTMR-441
- T3K-AVGTMR-465



Socket: All models require either an 8-pin or 11-pin socket listed below:

8 Pin Socket:

11 Pin Socket:

- AVG-TMRSKT-8PIN
- AVG-TMRSKT-11PIN

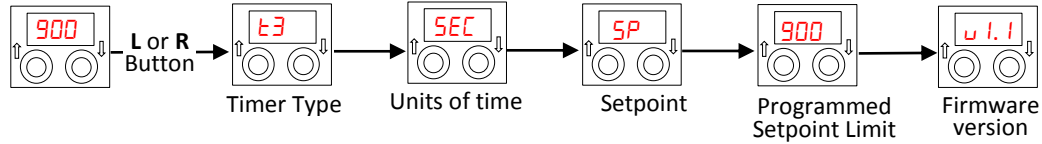


Operation and Programming

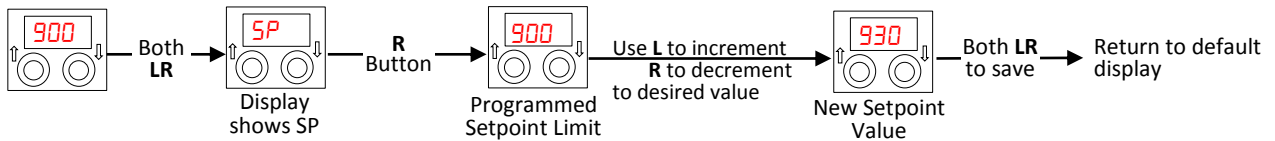
Timer has two buttons and a 3 digit display for programming. The following button actions are used in programming:

- Pressing Left (L) or ↑ button increments a value or moves from one parameter to another.
- Pressing Right (R) or ↓ button decrements a value or selects a parameter for editing.
- Pressing Both Left and Right (LR) button saves the displayed value and/or advances timer to next parameter.
- Pressing Left (L) or Right (R) from the default display will prompt timer to scroll through programmed values.

View Programmed Values:



Adjust Setpoint:



Programming Mode:

