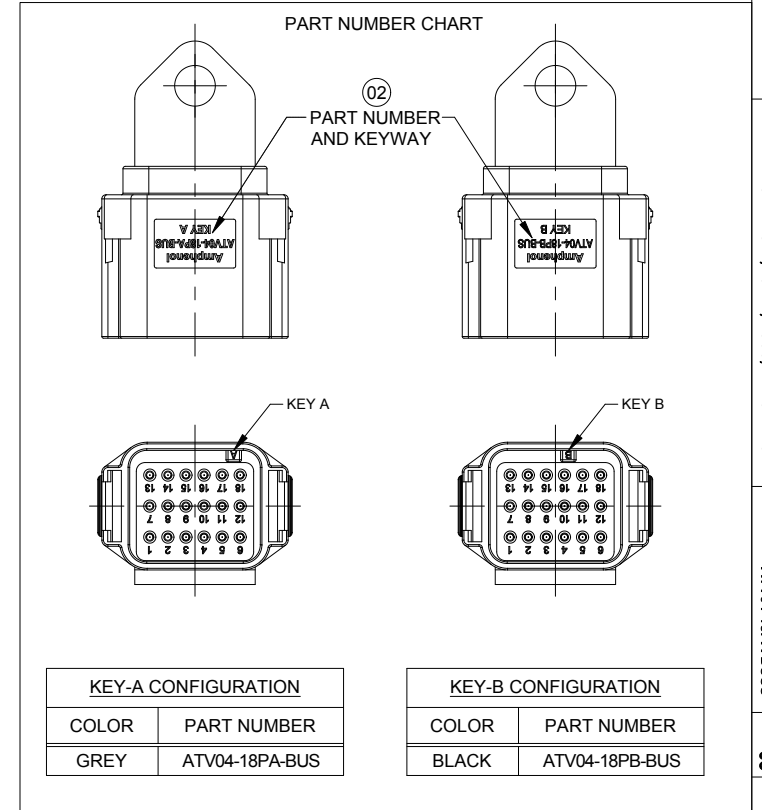
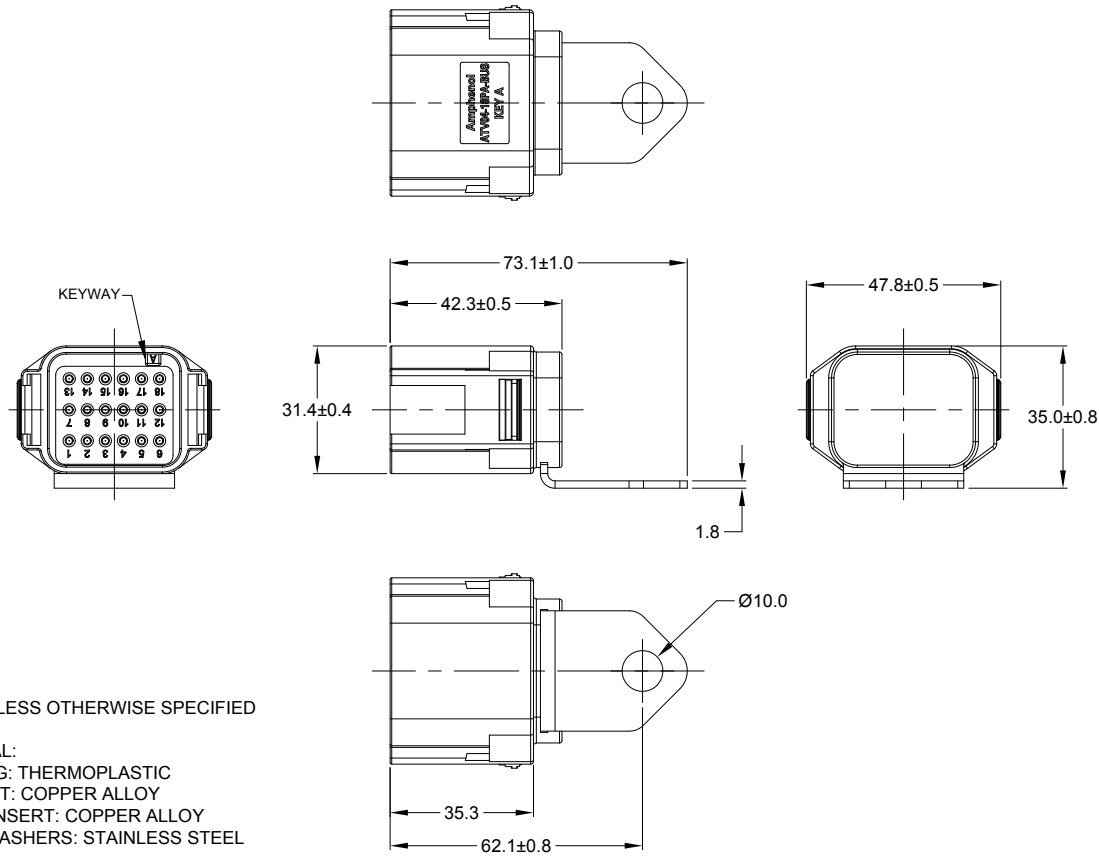


REVISIONS					
REV	ECO	DESCRIPTION	DATE	BY	APPR
01	-	PRELIMINARY DRAWING	15AUG18	SULLEN	TOMMY
02	-	UPDATE DRAWING	30AUG18	SULLEN	TOMMY
03	-	UPDATE DRAWING	21FEB19	SULLEN	TOMMY



NOTES: UNLESS OTHERWISE SPECIFIED

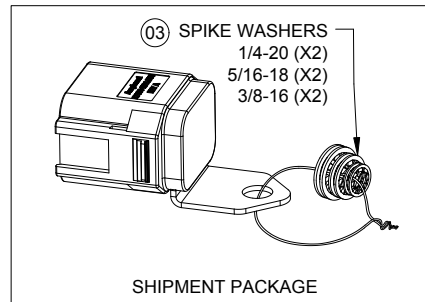
- MATERIAL:
HOUSING: THERMOPLASTIC
CONTACT: COPPER ALLOY
METAL INSERT: COPPER ALLOY
SPIKE WASHERS: STAINLESS STEEL

- MODIFICATIONS: GROUNDING BUSS

- SPECIFICATIONS:
 - CURRENT RATING: 230 AMPS
 - OPERATING TEMPERATURE: -55°C TO +125°C
 - INSULATION RESISTANCE: 1000 MEGOHMS MIN @ 25°C
 - MOISTURE RESISTANCE: IP67 (MATED CONDITION)
 - MATING CYCLE DURABILITY: 100 CYCLES
 - RoHS COMPLIANT

- MATING PART: ATV06-18SX* PLUG
(X = A,B KEYS ; * = MODIFICATIONS AND COLORS)

- ALL DIMENSIONS ARE FOR REFERENCE USE ONLY



SEE PART NUMBER CHART		DESCRIPTION		ITEM
QUANTITY	PART NUMBER			
MATERIALS LIST				
UNLESS OTHERWISE SPECIFIED		SIGNATURES		DATE
1) All dimensions are in metric (mm).		DRAWN: SULLENZHANG		21FEB19
2) Tolerances are as follows:		CHECKED: ORIONLI		21FEB19
1 PL DEC ±0.30		ENGINEER:		
2 PL DEC ±0.15		APPROVAL: TOMMYXIE		21FEB19
3 PL DEC ±0.08		CUSTOMER:		
3) Note reference =		THIS DRAWING IS SUPPLIED FOR INFORMATION ONLY. DESIGN FEATURES, SPECIFICATIONS AND PERFORMANCE DATA SHOWN HEREON ARE THE PROPERTY OF THE AMPHENOL CORPORATION. NO RIGHTS OF REPRODUCTION ARE IMPLIED. ALL DIMENSIONS ARE SUBJECT TO NORMAL MANUFACTURING VARIATIONS.		
MATERIAL SPECIFICATIONS:		PROCESS SPECIFICATIONS:		SCALE: NONE
NEXT ASSY:		SIZE		TYPE
		B C-		DWG NO:
		ATV04-18PX-BUS		REVISION
				03
		SHEET 1 OF 1		

TITLE: RECEPTACLE, 18 PIN, BUSS, ATV SERIES
DWG NO: ATV04-18PX-BUS
REV: 03
SH: 1
OF: 1

Amphenol

Sine Systems - www.amphenol-sine.com
44724 Morley Drive
Clinton Township, MI 48036

RECEPTACLE, 18 PIN, BUSS,
ATV SERIES