

DATA SHEET

TRANSIENT VOLTAGE SUPPRESSORS

AC/DC POWER SUPPLY

ATS-2CF series

RoHS compliant & Halogen free



Product specification— July 05, 2023 V.3



Transient Voltage Suppressors (TVS) Data Sheet

Features

- Glass passivated junction
- Low inductance
- Excellent clamping capability
- 10000W peak pulse power capability at 10/1000 μ s waveform, repetition rate (duty cycle): 0.05%
- Fast response time
- High Temperature soldering guaranteed: 265 $^{\circ}$ C/10 seconds/.375", (9.5mm) lead length, 5lbs (2.3kg) tension
- Plastic package has underwriters laboratory flammability 94V-0
- Meets MSL level 1, per J-STD-020
- AEC-Q101 qualified
- IEC61000-4-2 ESD 30KV Air, 30KV contact compliance



Mechanical Data

- Case: Moulded plastic over glass passivated junction
- Terminal: Plated Axial leads, solderable per MIL-STD-750, Method 2026
- Mounting Position: Any
- Weight: 2.75g

Applications

- I/O interface
- AC/DC power supply
- Low frequency signal transmission line (RS232, RS485, etc.)
- Meets ISO7637-2 surge spec.

Maximum Ratings and Characteristics

Ratings at 25 $^{\circ}$ C ambient temperature unless otherwise specified.

Rating	Symbol	Value	Units
Peak pulse power dissipation at 10/1000 μ s waveform (Note1, Fig.2)	P_{PPM}	Minimum 10000	Watts
Peak pulse current of at 10/1000 μ s waveform (Note 1, Fig.3)	I_{PPM}	See Table	Amps
Steady state power dissipation at $T_L=75^{\circ}$ C (Fig.5)	$P_{M(AV)}$	8.0	Watts
Peak forward surge current, 8.3ms single half sine-wave superimposed on rated load, (JEDEC Method) (Note2, Fig.6)	I_{FSM}	300	Amps
Operating junction and Storage Temperature Range.	T_J, T_{STG}	-55 to +150	$^{\circ}$ C
Typical thermal resistance junction to lead	$R_{\theta JL}$	8	$^{\circ}$ C/W
Typical thermal resistance junction to ambient	$R_{\theta JA}$	40	$^{\circ}$ C/W

Notes: 1. Non-repetitive current pulse, per Fig.3 and derated above $T_A=25^{\circ}$ C per Fig.2.

2. 8.3ms single half sine-wave, or equivalent square wave, duty cycle=4 pulses per minutes maximum.

Dimensions (P600)

	Symbol	Millimeters		Inches	
		Min.	Max.	Min.	Max.
	L	25.40	-	1.000	-
	T	8.60	9.10	0.340	0.360
	d	8.60	9.10	0.340	0.360
s	1.19	1.32	0.047	0.052	

Electrical Characteristics (T_A=25°C)

Part Number		Type ①	Breakdown Voltage @I _T		Test Current I _T (mA)	Reverse Stand-Off Voltage V _{RWM} (V)	Reverse Leakage @ V _{RWM} I _R (μA)	Maximum Clamping Voltage @I _{PP} V _C (V)	Peak Pulse Current I _{PP} (A)
Unidirectional	Bidirectional		V _{BR} MIN.(V)	V _{BR} MAX.(V)					
ATS22A	ATS22C	2CF	24.2	26.9	5	22	1.8	35.5	287
ATS24A	ATS24C	2CF	26.7	29.6	5	24	1.8	39	257
ATS26A	ATS26C	2CF	28.9	32	5	26	1.8	42.1	237
ATS28A	ATS28C	2CF	31.1	34.5	5	28	1.8	45.4	220
ATS30A	ATS30C	2CF	33	38	5	30	1.8	50	250
ATS33A	ATS33C	2CF	36.7	40.6	5	33	1.8	53	190
ATS36A	ATS36C	2CF	40	44.2	5	36	1.8	58.1	174
ATS40A	ATS40C	2CF	44.4	49.1	5	40	1.8	64.5	155

Part Number		Type ①	Suitable ISO 7637-2 2004 5a test waveform									
Unidirectional	Bidirectional		V _C (V)	Maximum Clamping Voltage	Voltage level			Resistance Level				
		87V 400mS		174V 350mS	DC(V)	0.5Ω	1Ω	2Ω	3Ω	4Ω	8Ω	
ATS22A	ATS22C	2CF	35.5	x	--	13.5	--	x	x	x	x	x
ATS24A	ATS24C	2CF	39	x	--	13.5	--	x	x	x	x	x
ATS26A	ATS26C	2CF	42.1	x	--	27	--	--	--	--	x	x
ATS28A	ATS28C	2CF	45.4	x	--	27	--	--	--	--	x	x
ATS30A	ATS30C	2CF	50	--	x	28	--	--	--	--	x	x
ATS33A	ATS33C	2CF	53	--	x	28	--	--	--	--	x	x
ATS36A	ATS36C	2CF	58.1	--	x	28	--	--	--	--	x	x
ATS40A	ATS40C	2CF	64.5	--	x	28	--	--	--	--	x	x

Note: 'x' representatives meets this test condition;

Ratings and Characteristic Curves ($T_A=25^\circ\text{C}$ unless otherwise noted)

Figure 1. ISO 7637-2 5a Test pulse

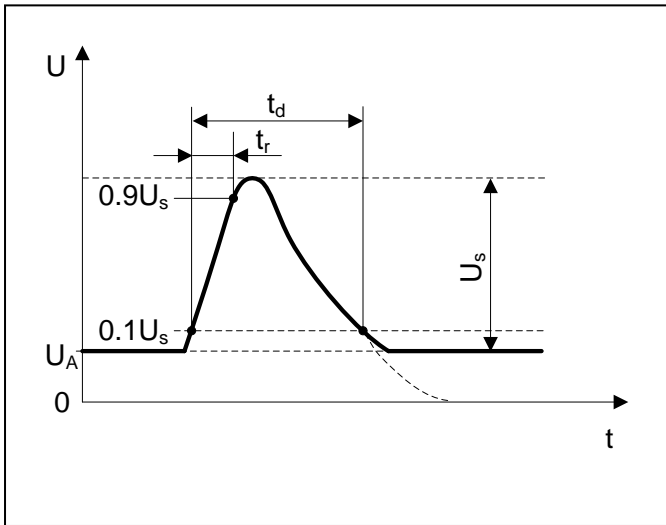


Figure 2. Peak Pulse Power Rating Curve

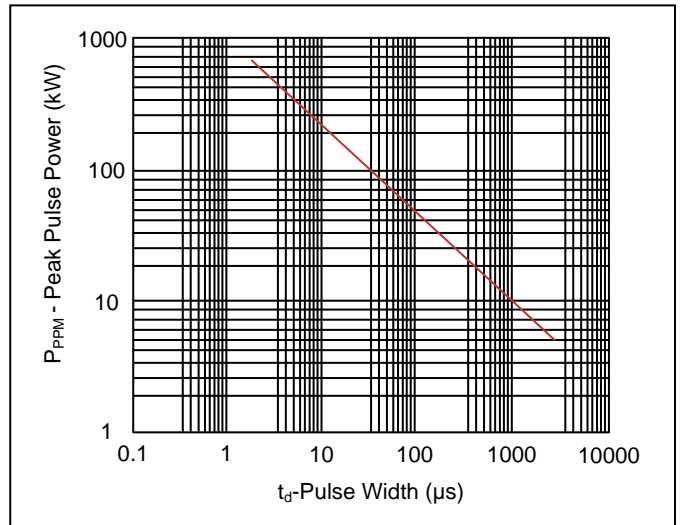


Figure 3. Pulse Waveform

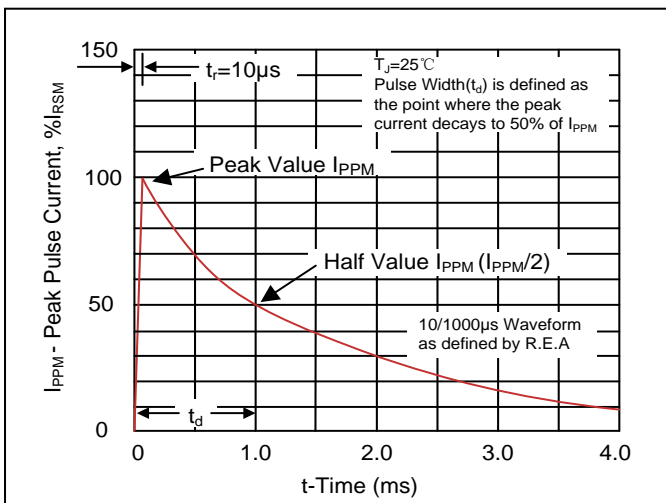


Figure 4. Pulse Derating Curve

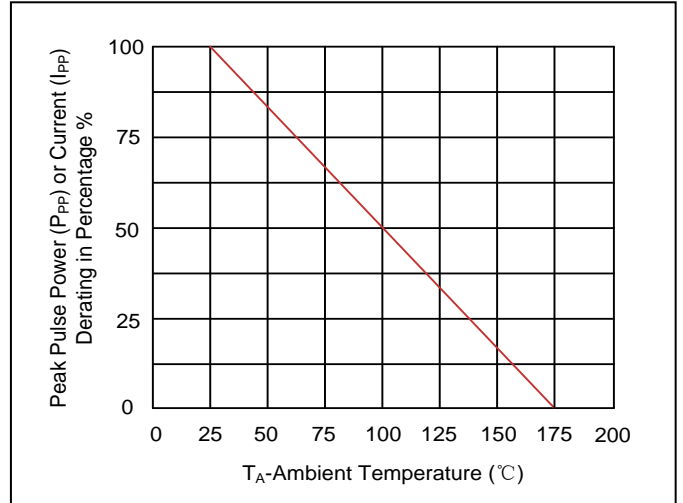


Figure 5. Steady State Power Dissipation Derating Curve

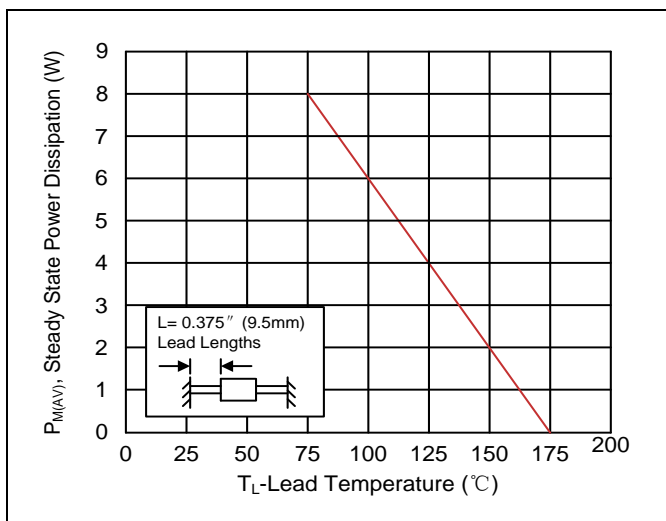
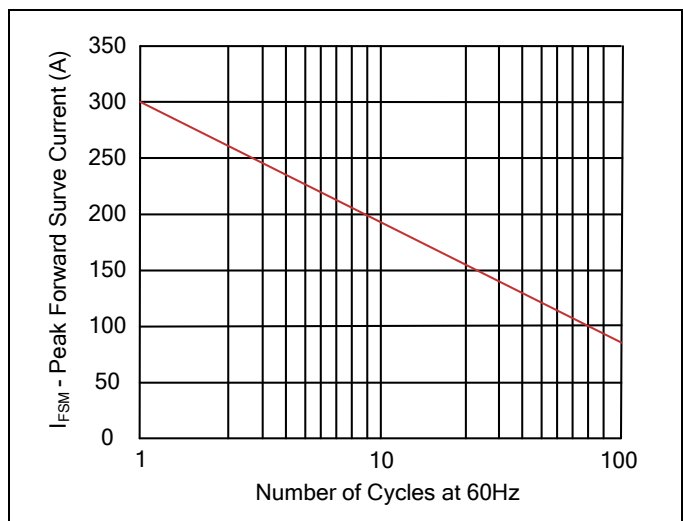
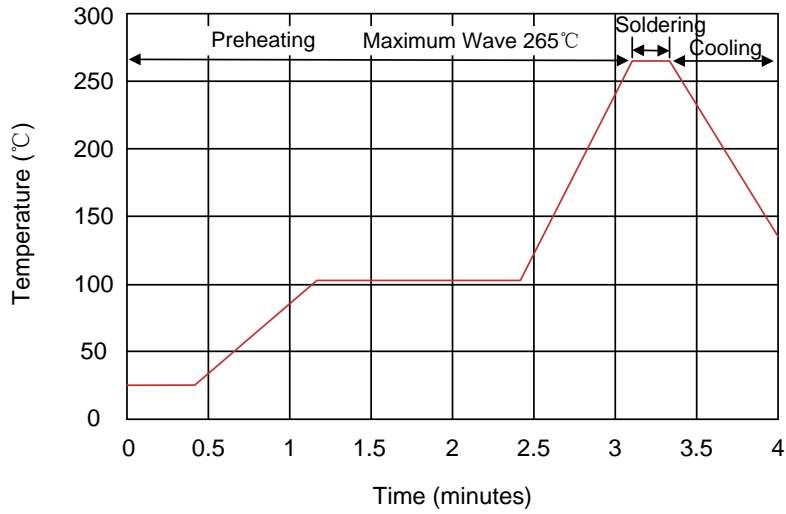


Figure 6. Maximum Non-Repetitive Forward Surge Current Uni-Directional Only



Recommended Soldering Conditions

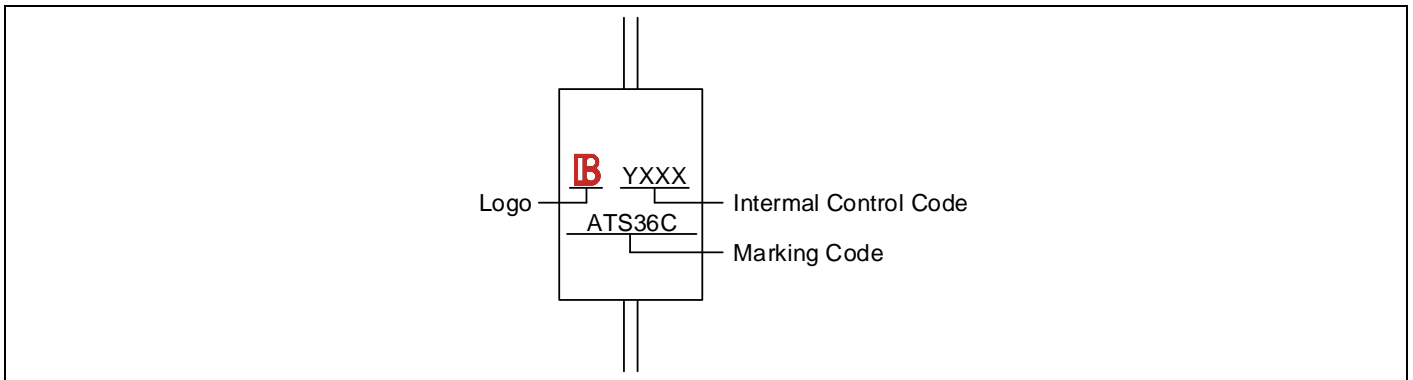
Wave Soldering



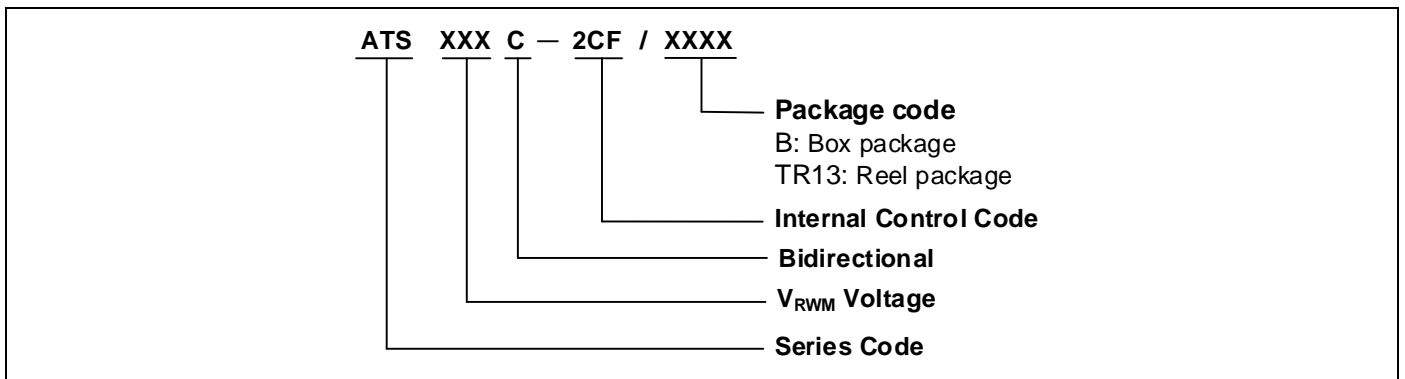
Recommended Conditions

Item	Conditions
Peak Temperature	265°C
Dipping Time	10 seconds
Soldering	1 time

Marking Code



Part Number Code

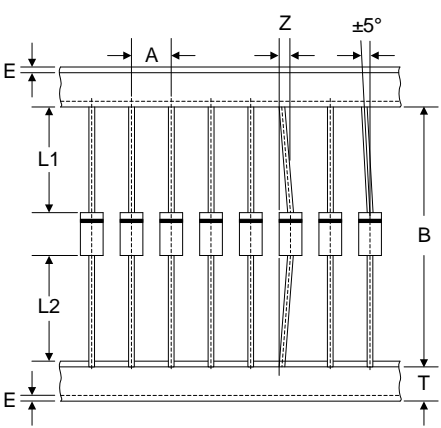
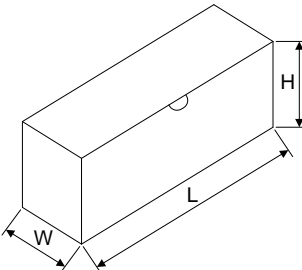
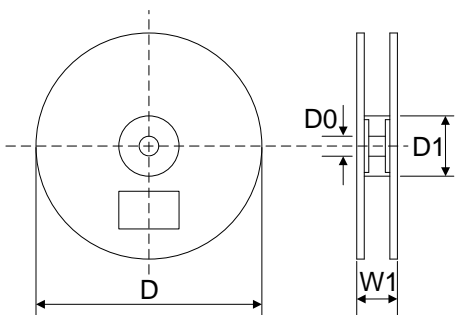


Ordering Code for Different Package

Box package: Add suffix "/B" at the end of the part number, such as ATSXXXC-2CF/B

Reel package: Add suffix "/TR13" at the end of the part number, such as ATSXXXC-2CF/TR13

Packaging

Tape	Symbol	Dimension (mm)
	A	10.0±0.5
	B	53.0±1.0
	Z	1.2Max.
	T	6.0±0.4
	E	0.8Max.
	L1-L2	1.0Max.
		L
W		75.0±5.0
H		114.0±5.0
Quantity: 300PCS		
	D	330.0±3.0
	D0	16.4±2.0
	D1	86.0±2.0
	W1	76.0±3.0
	Quantity: 800PCS	

LEGAL DISCLAIMER

YAGEO, its distributors and agents (collectively, "YAGEO"), hereby disclaims any and all liabilities for any errors, inaccuracies or incompleteness contained in any product related information, including but not limited to product specifications, datasheets, pictures and/or graphics. YAGEO may make changes, modifications and/or improvements to product related information at any time and without notice.

YAGEO makes no representation, warranty, and/or guarantee about the fitness of its products for any particular purpose or the continuing production of any of its products. To the maximum extent permitted by law, YAGEO disclaims (i) any and all liability arising out of the application or use of any YAGEO product, (ii) any and all liability, including without limitation special, consequential or incidental damages, and (iii) any and all implied warranties, including warranties of fitness for a particular purpose, non-infringement and merchantability.

YAGEO products are designed for general purpose applications under normal operation and usage conditions. Please contact YAGEO for the applications listed below which require especially high reliability for the prevention of defects which might directly cause damage to the third party's life, body or property: Aerospace equipment (artificial satellite, rocket, etc.), Atomic energy-related equipment, Aviation equipment, Disaster prevention equipment, crime prevention equipment, Electric heating apparatus, burning equipment, Highly public information network equipment, data-processing equipment, Medical devices, Military equipment, Power generation control equipment, Safety equipment, Traffic signal equipment, Transportation equipment and Undersea equipment, or for any other application or use in which the failure of YAGEO products could result in personal injury or death, or serious property damage. Particularly **YAGEO Corporation and its affiliates do not recommend the use of commercial or automotive grade products for high reliability applications or manned space flight.**

Information provided here is intended to indicate product specifications only. YAGEO reserves all the rights for revising this content without further notification, as long as products are unchanged. Any product change will be announced by PCN.