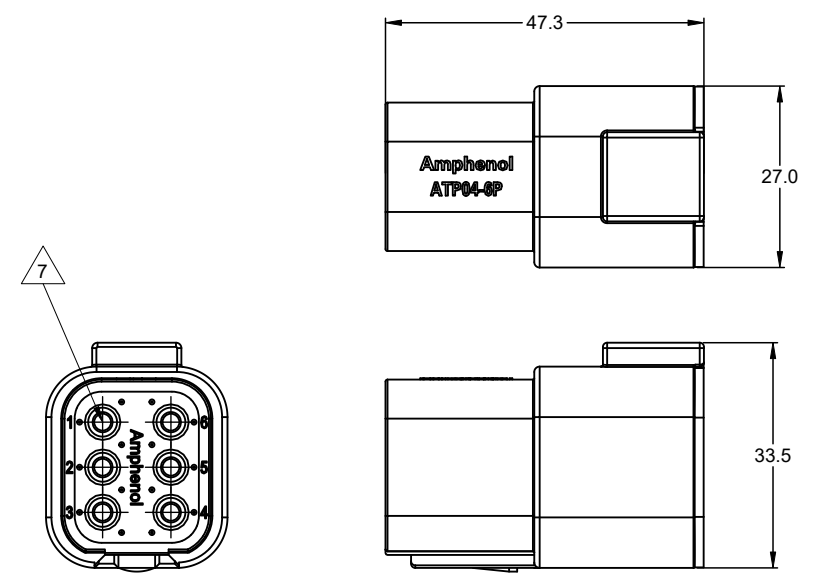
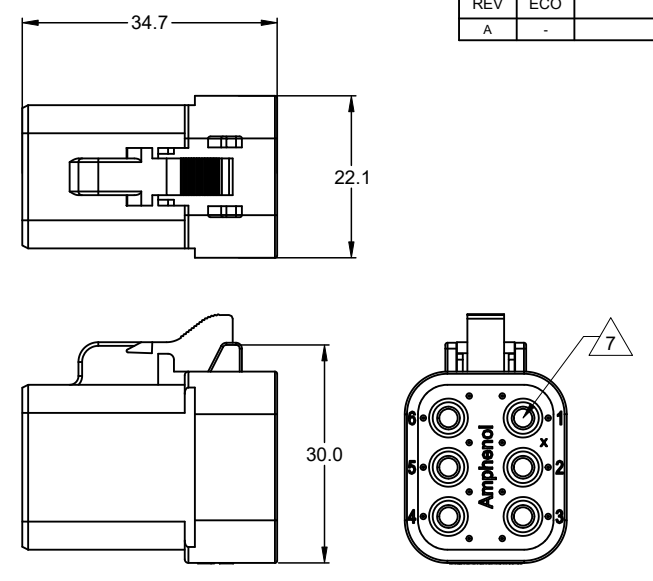


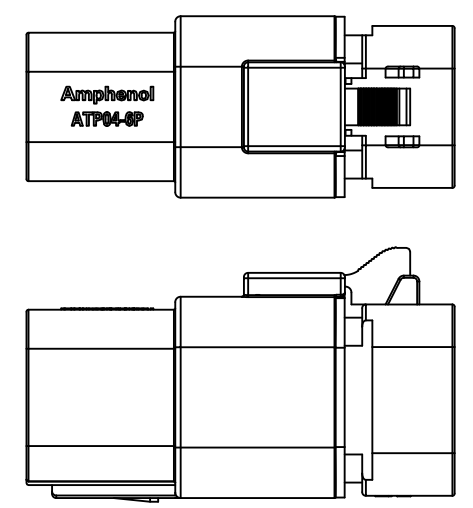
REVISIONS					
REV	ECO	DESCRIPTION	DATE	BY	APPR
A	-	RELEASE	3/3/2021	RO	WS



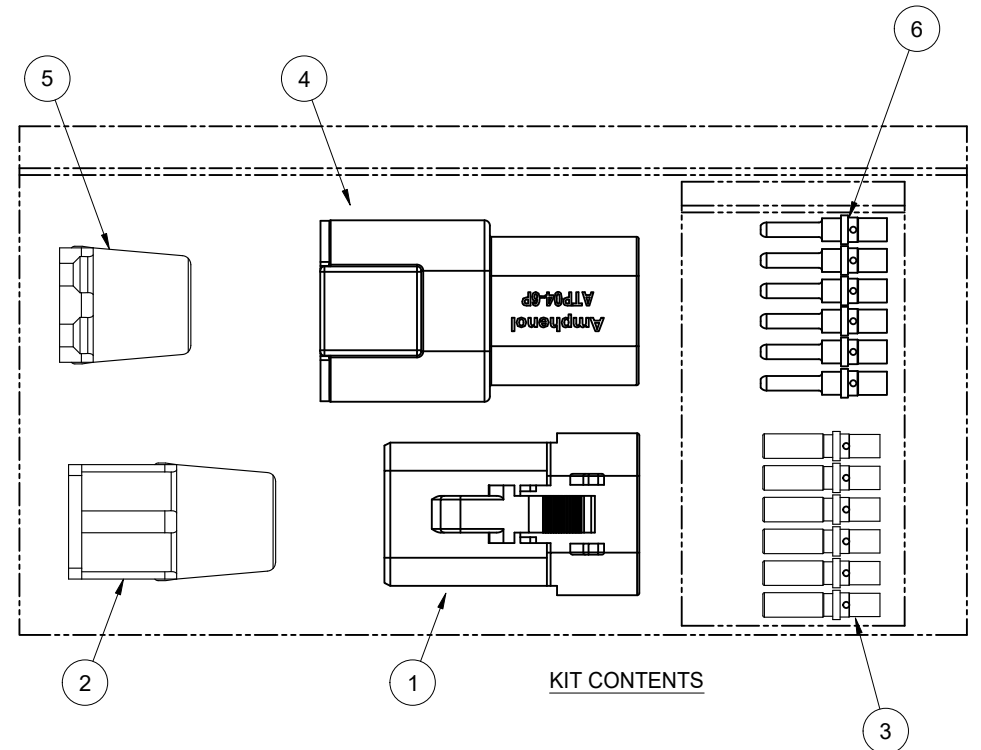
REFERENCE DIMENSIONS - ASSEMBLED RECEPTACLE



REFERENCE DIMENSIONS - ASSEMBLED PLUG



ASSEMBLED PLUG AND RECEPTACLE



KIT CONTENTS

NOTES: UNLESS OTHERWISE SPECIFIED

- MATERIAL:  
HOUSING: THERMOPLASTIC; COLOR: GREY  
WEDGELOCK: THERMOPLASTIC; COLOR: ORANGE  
SEALS: SILICONE RUBBER  
CONTACTS: COPPER ALLOY; NICKEL PLATED
- SPECIFICATIONS:  
2.1 CURRENT RATING: 25 AMPS  
2.2 OPERATING TEMPERATURE: -55°C TO +125°C  
2.3 DIELECTRIC WITHSTANDING VOLTAGE: LESS THAN 2 MILLIAMPS CURRENT LEAKAGE @ 1500 VOLTS AC.  
2.4 INSULATION RESISTANCE: 1000 MEGOHMS MIN @ 25°C.  
2.5 CONTACT MILLIVOLT DROP: 60 MILLIVOLT DROP @ 25 AMP TEST CURRENT.  
2.6 MOISTURE RESISTANCE: IP67 ( MATED CONDITION )  
2.7 CONNECTOR MATING CYCLE DURABILITY: 100 CYCLES

- AVAILABLE HAND CRIMPER: CA-5D12
- ALL COMPONENTS ARE RoHS COMPLIANT.
- ALL DIMENSIONS ARE FOR REFERENCE USE ONLY.

6 WIRE RANGE OF CONTACTS INCLUDED IN KIT: 12 - 14 AWG

7 CONTACT SIZE AND REAR SEAL WIRE RANGE:

CONTACT SIZE	MIN. INSUL. O.D.	MAX. INSUL. O.D.	TYPICAL WIRE RANGE
12	3.40 mm (.134 in)	4.95 mm (.195 in)	10 - 14 AWG

QTY	PART NUMBER	DESCRIPTION	ITEM
6	AT60-204-12141	CONTACT, PIN, SOLID, SIZE 12, 12 - 14 AWG	6
1	AWP-6P	P-WEDGELOCK, 6 POSITION, ATP SERIES	5
1	ATP04-6P	RECEPTACLE, 6 POSITION, ATP SERIES	4
6	AT62-203-12141	CONTACT, SOCKET, SOLID, SIZE 12, 12 - 14 AWG	3
1	AWP-6S	S-WEDGELOCK, 6 POSITION, ATP SERIES	2
1	ATP06-6S	PLUG, 6 POSITION, ATP SERIES	1

MATERIALS LIST			
UNLESS OTHERWISE SPECIFIED: 1) All dimensions are in metric(mm). 2) Tolerances are as follows: 1 PL DEC ±0.30 Fractions ±1/64 2 PL DEC ±0.15 Angles ±1° 3) Note reference =		SIGNATURES	DATE
DRAWN: RO		RO	3/2/2021
CHECKED: WS		WS	3/2/2021
ENGINEER: RO			
APPROVAL: WS		WS	3/2/2021
MATERIAL SPECIFICATIONS:		CUSTOMER:	
PROCESS SPECIFICATIONS:		THIS DRAWING IS SUPPLIED FOR INFORMATION ONLY. DESIGN FEATURES, SPECIFICATIONS AND PERFORMANCE DATA SHOWN HEREON ARE THE PROPERTY OF THE AMPHENOL CORPORATION. NO RIGHTS OF REPRODUCTION ARE IMPLIED. ALL DIMENSIONS ARE SUBJECT TO NORMAL MANUFACTURING VARIATIONS.	
NEXT ASSY:		SIZE: C C-	TYPE: ATP6PS-CKIT
		SCALE: NONE	REVISION: A

TITLE: KIT, ATP SERIES, 6 POS. PLUG, RECEPTACLE, CONTACTS & WEDGELOCKS  
DWG NO.: ATP6PS-CKIT  
REV: A  
SH: 1  
OF: 1

**Amphenol**  
Sine Systems - www.amphenol-sine.com  
44724 Morley Drive  
Clinton Township, MI 48036

KIT, ATP SERIES, 6 POSITION PLUG, RECEPTACLE, CONTACTS, AND WEDGELOCKS

SCALE: NONE SHEET 1 OF 1