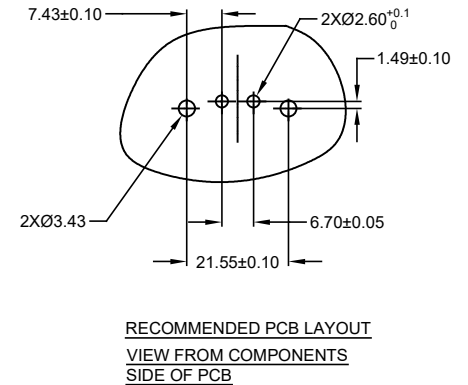
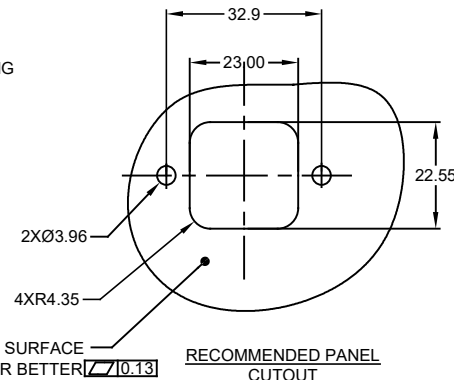
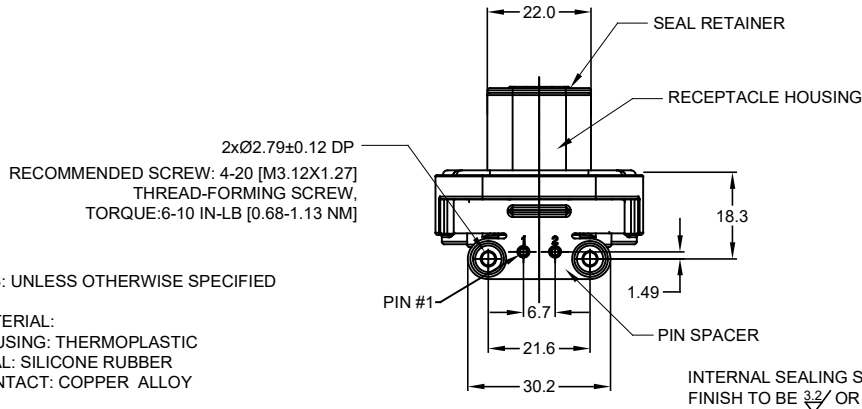
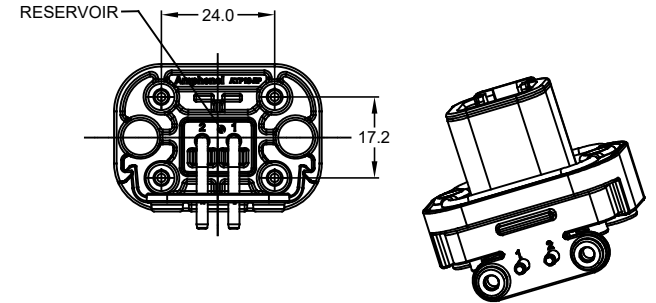
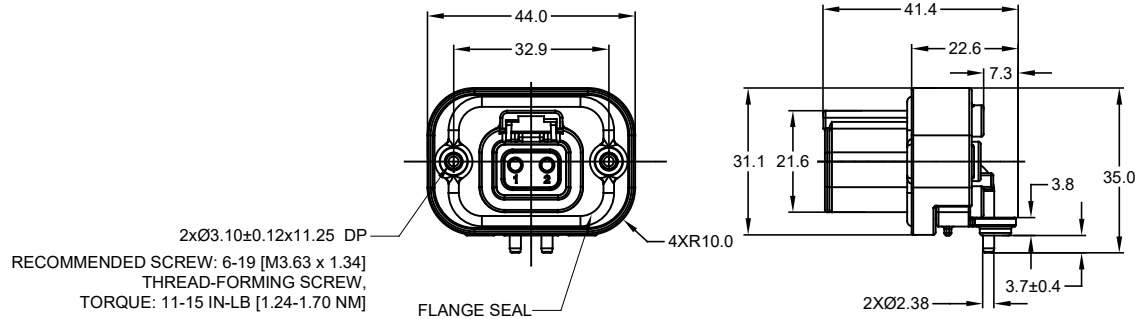


REVISIONS					
REV	ECO	DESCRIPTION	DATE	BY	APPR
A2	-	ADDED NOTE 6	10JUL20	JAH	DH



NOTES: UNLESS OTHERWISE SPECIFIED

- MATERIAL:  
HOUSING: THERMOPLASTIC  
SEAL: SILICONE RUBBER  
CONTACT: COPPER ALLOY
- MODIFICATIONS: FLANGE; PCB MOUNT RIGHT ANGLE
- SPECIFICATIONS:  
3.1 CURRENT RATING: 25 AMPS  
3.2 OPERATING TEMPERATURE: -55°C TO +125°C  
3.3 DIELECTRIC WITHSTANDING VOLTAGE: LESS THAN 2 MILLIAMPS CURRENT LEAKAGE @ 1500 VOLTS AC.  
3.4 INSULATION RESISTANCE: 1000 MEGOHMS MIN @ 25°C  
3.5 MOISTURE RESISTANCE: IP67 ( MATED CONDITION )  
3.6 MATING CYCLE DURABILITY: 100 CYCLES  
3.7 RoHS COMPLIANT
- MATING PART: ATP06-2S\*  
(\* = ALL MODIFICATIONS)
- ALL DIMENSIONS ARE FOR REFERENCE USE ONLY
- POTTED CONNECTORS SPECIFIED FOR UP TO 5 P.S.I. APPLICATIONS.

ATP13-2P-BM0XXXX VARIANTS			
CONTACT PLATING	POTTING OR NOT IN RESERVOIR	COLOR	PART NUMBER
GOLD	NO POTTING	GRAY	ATP13-2P-BM01GRY
GOLD	POTTING	GRAY	ATP13-2P-BM02GRY
TIN	NO POTTING	GRAY	ATP13-2P-BM03GRY
TIN	POTTING	GRAY	ATP13-2P-BM04GRY
GOLD	NO POTTING	BLACK	ATP13-2P-BM01BLK
GOLD	POTTING	BLACK	ATP13-2P-BM02BLK
TIN	NO POTTING	BLACK	ATP13-2P-BM03BLK
TIN	POTTING	BLACK	ATP13-2P-BM04BLK

ATP13-2P-BM0XXXX		PART NUMBER		DESCRIPTION		ITEM																																																					
<table border="1"> <thead> <tr> <th>QUANTITY</th> <th colspan="6">MATERIALS LIST</th> </tr> </thead> <tbody> <tr> <td rowspan="4">UNLESS OTHERWISE SPECIFIED 1) All dimensions are in metric (mm). 2) Tolerances are as follows: 1 PL DEC ±0.30   Fractions ±1/64 2 PL DEC ±0.15 3 PL DEC ±0.08 3) Note reference = </td> <td>DRAWN:</td> <td>PETER YANG</td> <td>DATE:</td> <td colspan="3">14MAY19</td> </tr> <tr> <td>CHECKED:</td> <td>ORION LI</td> <td>DATE:</td> <td colspan="3">14MAY19</td> </tr> <tr> <td>ENGINEER:</td> <td colspan="5"></td> </tr> <tr> <td>APPROVAL:</td> <td>TOMMY XIE</td> <td>DATE:</td> <td colspan="3">14MAY19</td> </tr> <tr> <td>MATERIAL SPECIFICATIONS:</td> <td colspan="6">CUSTOMER:</td> </tr> <tr> <td>PROCESS SPECIFICATIONS:</td> <td colspan="6">THIS DRAWING IS SUPPLIED FOR INFORMATION ONLY. DESIGN FEATURES, SPECIFICATIONS AND PERFORMANCE DATA SHOWN HEREON ARE THE PROPERTY OF THE AMPHENOL CORPORATION. NO RIGHTS OF REPRODUCTION ARE IMPLIED. ALL DIMENSIONS ARE SUBJECT TO NORMAL MANUFACTURING VARIATIONS.</td> </tr> <tr> <td>NEXT ASSY:</td> <td colspan="6"></td> </tr> </tbody> </table>							QUANTITY	MATERIALS LIST						UNLESS OTHERWISE SPECIFIED 1) All dimensions are in metric (mm). 2) Tolerances are as follows: 1 PL DEC ±0.30   Fractions ±1/64 2 PL DEC ±0.15 3 PL DEC ±0.08 3) Note reference =	DRAWN:	PETER YANG	DATE:	14MAY19			CHECKED:	ORION LI	DATE:	14MAY19			ENGINEER:						APPROVAL:	TOMMY XIE	DATE:	14MAY19			MATERIAL SPECIFICATIONS:	CUSTOMER:						PROCESS SPECIFICATIONS:	THIS DRAWING IS SUPPLIED FOR INFORMATION ONLY. DESIGN FEATURES, SPECIFICATIONS AND PERFORMANCE DATA SHOWN HEREON ARE THE PROPERTY OF THE AMPHENOL CORPORATION. NO RIGHTS OF REPRODUCTION ARE IMPLIED. ALL DIMENSIONS ARE SUBJECT TO NORMAL MANUFACTURING VARIATIONS.						NEXT ASSY:						
QUANTITY	MATERIALS LIST																																																										
UNLESS OTHERWISE SPECIFIED 1) All dimensions are in metric (mm). 2) Tolerances are as follows: 1 PL DEC ±0.30   Fractions ±1/64 2 PL DEC ±0.15 3 PL DEC ±0.08 3) Note reference =	DRAWN:	PETER YANG	DATE:	14MAY19																																																							
	CHECKED:	ORION LI	DATE:	14MAY19																																																							
	ENGINEER:																																																										
	APPROVAL:	TOMMY XIE	DATE:	14MAY19																																																							
MATERIAL SPECIFICATIONS:	CUSTOMER:																																																										
PROCESS SPECIFICATIONS:	THIS DRAWING IS SUPPLIED FOR INFORMATION ONLY. DESIGN FEATURES, SPECIFICATIONS AND PERFORMANCE DATA SHOWN HEREON ARE THE PROPERTY OF THE AMPHENOL CORPORATION. NO RIGHTS OF REPRODUCTION ARE IMPLIED. ALL DIMENSIONS ARE SUBJECT TO NORMAL MANUFACTURING VARIATIONS.																																																										
NEXT ASSY:																																																											
SIZE		TYPE		DWG NO.		REVISION																																																					
B C-		ATP13-2P-BM0XXXX		A2																																																							
SCALE		NONE		SHEET		1 OF 1																																																					

TITLE: BOARDLOCK PCB MOUNT RECEPTACLE 2PIN RA FLANGE ATP SERIES  
DWG NO: ATP13-2P-BM0XXXX  
REV: A2  
SH: 1  
OF: 1