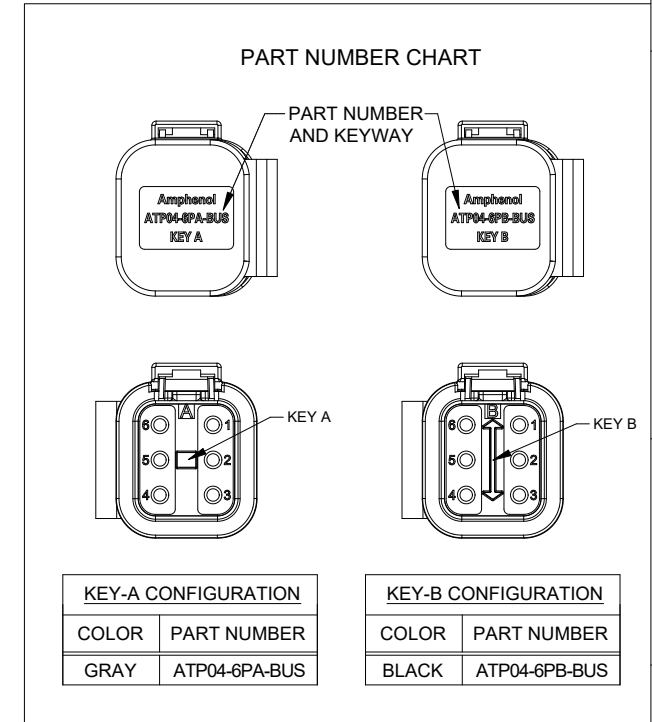
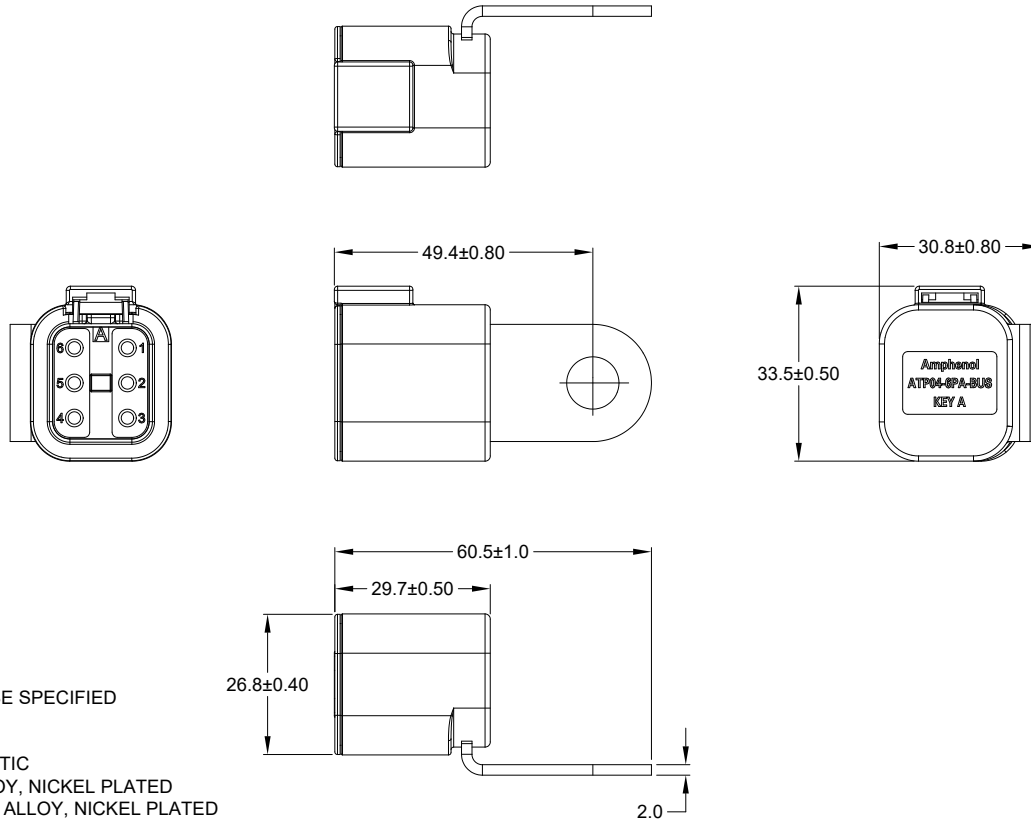
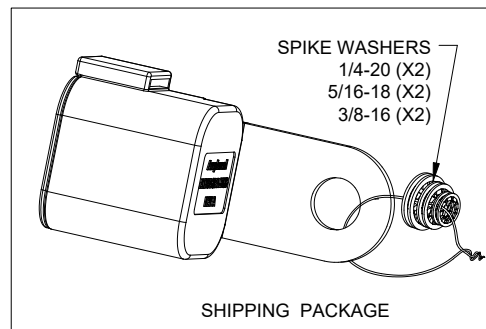


REVISIONS					
REV	ECO	DESCRIPTION	DATE	BY	APPR
A1	-	RELEASE NEW DRAWING	02/JAN/20	PETER	TOMMY
A2	-	CHANGE WATERPROOF GRADE	27/JUL/20	SEVEN	TOMMY



NOTES: UNLESS OTHERWISE SPECIFIED

1. MATERIAL:
 - HOUSING: THERMOPLASTIC
 - CONTACT: COPPER ALLOY, NICKEL PLATED
 - METAL INSERT: COPPER ALLOY, NICKEL PLATED
 - SEAL: SILICONE RUBBER
 - SPIKE WASHERS: STAINLESS STEEL
2. MODIFICATIONS: GROUNDING BUSS
3. SPECIFICATIONS:
 - 3.1 CURRENT RATING: 150 AMPS
 - 3.2 OPERATING TEMPERATURE: -55°C TO +125°C
 - 3.3 INSULATION RESISTANCE: 1000 MEGOHMS MIN @ 25°C
 - 3.4 MOISTURE RESISTANCE: IP68 (1M OF WATER FOR A PERIOD OF 24 HOURS , MATED CONDITION)
 - 3.5 MATING CYCLE DURABILITY: 100 CYCLES
 - 3.6 RoHS COMPLIANT
4. MATING PART: ATP06-6SX* PLUG
(X = A,B KEYS ; * = MODIFICATIONS AND COLORS)
5. ALL DIMENSIONS ARE FOR REFERENCE USE ONLY



SEE PART NUMBER CHART		DESCRIPTION		ITEM
QUANTITY	PART NUMBER			
MATERIALS LIST				
UNLESS OTHERWISE SPECIFIED		SIGNATURES		DATE
1) All dimensions are in metric(mm).		DRAWN: SEVENJMO	27/JUL/20	
2) Tolerances are as follows:		CHECKED: ORIONLI	28/JUL/20	
1 PL DEC ±0.30		ENGINEER:		
2 PL DEC ±0.15		APPROVAL: TOMMY.XIE	28/JUL/20	
3 PL DEC ±0.08		CUSTOMER:		
3) Note reference =		THIS DRAWING IS SUPPLIED FOR INFORMATION ONLY. DESIGN FEATURES, SPECIFICATIONS AND PERFORMANCE DATA SHOWN HEREON ARE THE PROPERTY OF THE AMPHENOL CORPORATION. NO RIGHTS OF REPRODUCTION ARE IMPLIED. ALL DIMENSIONS ARE SUBJECT TO NORMAL MANUFACTURING VARIATIONS.		
MATERIAL SPECIFICATIONS:		SIZE	TYPE	DWG NO.
PROCESS SPECIFICATIONS:		B	C-	ATP04-6PX-BUS
NEXT ASSY:		SCALE:	NONE	REVISION A2

Amphenol

Sine Systems - www.amphenol-sine.com
44724 Morley Drive
Clinton Township, MI 48036

RECEPTACLE, 6 PIN, BUSS,
ATP SERIES

TITLE: RECEPTACLE, 6 PIN, BUSS, ATP SERIES
DWG NO.: ATP04-6PX-BUS
REV: A2
SH: 1 OF 1