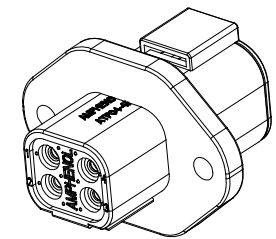
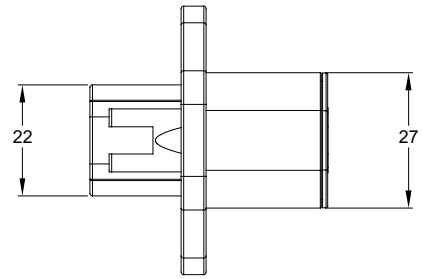
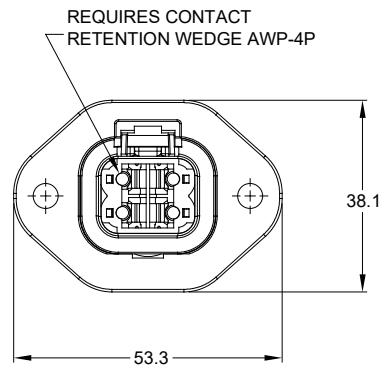
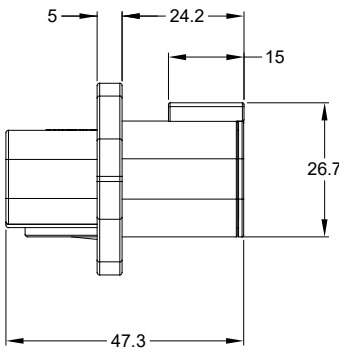
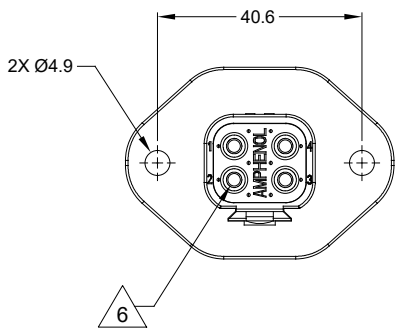


| REVISIONS | | | | | |
|-----------|-----|-------------------------------|-----------|-----|-------|
| REV | ECO | DESCRIPTION | DATE | BY | APPR |
| A3 | -- | RELEASE NEW DWG FORMAT | 18/OCT/13 | DRP | -- |
| A4 | -- | ADD CARTRIDGE-HOLDER REQUIRED | 04/SEP/19 | JOE | TOMMY |



NOTES: UNLESS OTHERWISE SPECIFIED

- MATERIAL:
HOUSING: THERMOPLASTIC; COLOR: GREY
FLANGE: THERMOPLASTIC; COLOR: GREY
SEAL: SILICONE RUBBER
- MODIFICATIONS: FLANGE.
- SPECIFICATIONS:
3.1 CURRENT RATING: 25 AMPS
3.2 OPERATING TEMPERATURE: -55°C TO +125°C
3.3 DIELECTRIC WITHSTANDING VOLTAGE: LESS THAN 2 MILLIAMPS CURRENT LEAKAGE @ 1500 VOLTS AC.
3.4 INSULATION RESISTANCE: 1000 MEGOHMS MIN @ 25°C.
3.5 MOISTURE RESISTANCE: IP67 (MATED CONDITION)
3.6 MATING CYCLE DURABILITY: 100 CYCLES
3.7 RoHS COMPLIANT
- MATING PART: ATP06-4S* PLUG.
(* = MODIFICATIONS AND COLORS)
- ALL DIMENSIONS ARE FOR REFERENCE USE ONLY.

6. CONTACT SIZE AND REAR SEAL WIRE RANGE:

| CONTACT SIZE | MIN. INSUL O.D. | MAX. INSUL O.D. | TYPICAL WIRE RANGE |
|--------------|-------------------|-------------------|--------------------|
| 12 | 3.40 mm (.134 in) | 4.95 mm (.195 in) | 10 - 14 AWG |

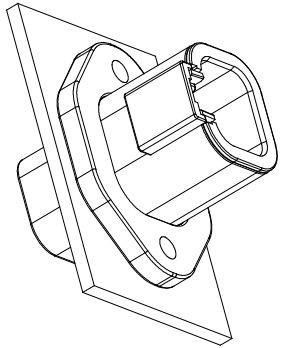
TITLE: RECEPTACLE, 4 PIN, ATP SERIES, PANELMATE
DWG NO.: ATP04-4P-PM01
REV: A4
SH: 1
OF: 2

| ATP04-4P-PM01 | | DTP04-4P-L012 | | | | | | | | | | | |
|---|-------------|---|---------------------|------------|------|-----------------|-----------|-------------------|-----------|-----------|--|---------------------|-----------|
| PART NUMBER | | DESCRIPTION | | | | | | | | | | | |
| QUANTITY | | MATERIALS LIST | | | | | | | | | | | |
| UNLESS OTHERWISE SPECIFIED 1) All dimensions are in metric(mm). 2) Tolerances are as follows: 1 PL DEC 40.30 Fractions ±1/64 2 PL DEC 40.15 Angles ±1° 3 PL DEC 40.08 3) Note reference = \triangle X | | <table border="1"> <thead> <tr> <th>SIGNATURES</th> <th>DATE</th> </tr> </thead> <tbody> <tr> <td>DRAWN: JOE.SONG</td> <td>04/SEP/19</td> </tr> <tr> <td>CHECKED: ORION.LI</td> <td>04/SEP/19</td> </tr> <tr> <td>ENGINEER:</td> <td></td> </tr> <tr> <td>APPROVAL: TOMMY.XIE</td> <td>04/SEP/19</td> </tr> </tbody> </table> | | SIGNATURES | DATE | DRAWN: JOE.SONG | 04/SEP/19 | CHECKED: ORION.LI | 04/SEP/19 | ENGINEER: | | APPROVAL: TOMMY.XIE | 04/SEP/19 |
| SIGNATURES | DATE | | | | | | | | | | | | |
| DRAWN: JOE.SONG | 04/SEP/19 | | | | | | | | | | | | |
| CHECKED: ORION.LI | 04/SEP/19 | | | | | | | | | | | | |
| ENGINEER: | | | | | | | | | | | | | |
| APPROVAL: TOMMY.XIE | 04/SEP/19 | | | | | | | | | | | | |
| MATERIAL SPECIFICATIONS: | | CUSTOMER: | | | | | | | | | | | |
| PROCESS SPECIFICATIONS: | | THIS DRAWING IS SUPPLIED FOR INFORMATION ONLY. DESIGN FEATURES, SPECIFICATIONS AND PERFORMANCE DATA SHOWN HEREON ARE THE PROPERTY OF THE AMPHENOL CORPORATION. NO RIGHTS OF REPRODUCTION ARE IMPLIED. ALL DIMENSIONS ARE SUBJECT TO NORMAL MANUFACTURING VARIATIONS. | | | | | | | | | | | |
| NEXT ASSY: | SCALE: NONE | SIZE: B C- | TYPE: ATP04-4P-PM01 | | | | | | | | | | |
| | | DWG NO.: | REVISION: A4 | | | | | | | | | | |
| | | SHEET 1 | OF 2 | | | | | | | | | | |

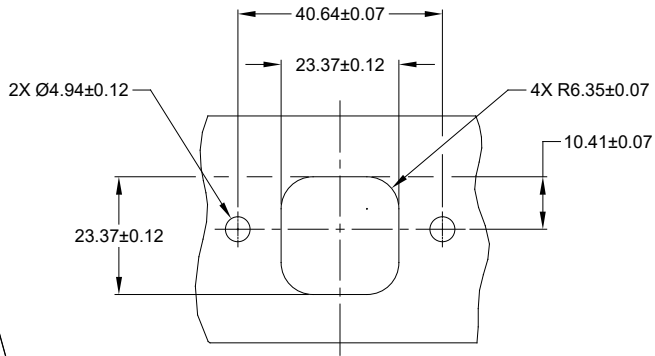
Amphenol
Sine Systems - www.amphenol-sine.com
44724 Morley Drive
Clinton Township, MI 48036

RECEPTACLE, 4 PIN,
ATP SERIES, PANELMATE

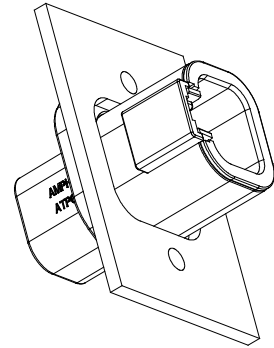
| REVISIONS | | | | | |
|-----------|-----|-------------------------------|-----------|-----|-------|
| REV | ECO | DESCRIPTION | DATE | BY | APPR |
| A3 | -- | RELEASE NEW DWG FORMAT | 18/OCT/13 | DRP | -- |
| A4 | -- | ADD CARTRIDGE-HOLDER REQUIRED | 04/SEP/19 | JOE | TOMMY |



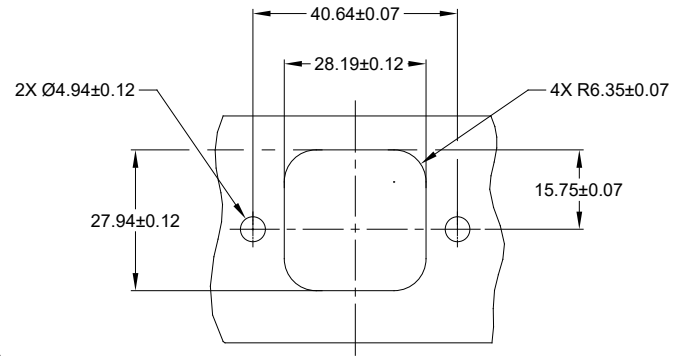
FRONT MOUNT
REFERENCE VIEW



RECOMMENDED CUTOUT
FRONT MOUNT



REAR MOUNT
REFERENCE VIEW



RECOMMENDED CUTOUT
REAR MOUNT

TITLE: RECEPTACLE, 4 PIN, ATP SERIES, PANELMATE
DWG NO.: ATP04-4P-PM01
REV: A4
SH: 2
OF: 2


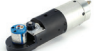


| | | | | |
|--------------------------------------|--|--|---------|---------------|
| ATP04-4P-PM01 | | DESCRIPTION | | ITEM |
| PART NUMBER | | | | |
| QUANTITY MATERIALS LIST | | | | |
| UNLESS OTHERWISE SPECIFIED | | SIGNATURES | | DATE |
| 1) All dimensions are in metric(mm). | | DRAWN: JOE SONG | | 04/SEP/19 |
| 2) Tolerances are as follows: | | CHECKED: ORION LI | | 04/SEP/19 |
| 1 PL DEC ±0.30 Fractions ±1/64 | | ENGINEER: | | |
| 2 PL DEC ±0.15 Angles ±1° | | APPROVAL: TOMMY XIE | | 04/SEP/19 |
| 3) Note reference = | | CUSTOMER: | | |
| MATERIAL SPECIFICATIONS: | | THIS DRAWING IS SUPPLIED FOR INFORMATION ONLY. DESIGN FEATURES, SPECIFICATIONS AND PERFORMANCE DATA SHOWN HEREON ARE THE PROPERTY OF THE AMPHENOL CORPORATION. NO RIGHTS OF REPRODUCTION ARE IMPLIED. ALL DIMENSIONS ARE SUBJECT TO NORMAL MANUFACTURING VARIATIONS. | | |
| PROCESS SPECIFICATIONS: | | SIZE | TYPE | DWG NO. |
| NEXT ASSY: | | B | C- | ATP04-4P-PM01 |
| | | SCALE | NONE | REVISION A4 |
| | | | SHEET 2 | OF 2 |




Amphenol
Sine Systems - www.amphenol-sine.com
44724 Morley Drive
Clinton Township, MI 48036

ATP Series™ - Contact Size 12 Options



| Machined Contacts, Sockets & Pins | | | | |
|-----------------------------------|--|------|-------|----------|
| Part Number | Description | Size | AWG | Type |
| AT60-204-12141-10 | Male Contact - Pin, Nickel-plated | 12 | 10-12 | Machined |
| AT62-203-12141-10 | Female Contact - Socket, Nickel-plated | 12 | 10-12 | Machined |
| AT60-220-1231 | Male Contact - Pin, Gold-plated | 12 | 12-14 | Machined |
| AT62-210-1231 | Female Contact - Socket, Gold-plated | 12 | 12-14 | Machined |
| AT60-204-12141 | Male Contact - Pin, Nickel-plated | 12 | 12-14 | Machined |
| AT62-203-12141 | Female Contact - Socket, Nickel-plated | 12 | 12-14 | Machined |

| DiagnosticGrade™ Machined Contacts, Sockets & Pins | | | | |
|--|--|------|-----|----------|
| • Smaller AWG for Diagnostic Applications • Gold-plated • Increased Mating Cycles • Cost-effective | | | | |
| Part Number | Description | Size | AWG | Type |
| 65-54749 | Male Contact - DiagnosticGrade™, Pin, Gold-plated | 12 | 20 | Machined |
| AT62-210-1231-1820 | Female Contact - DiagnosticGrade™, Socket, Gold-plated | 12 | 20 | Machined |

| Tooling - Machined Contacts | | |
|--|-------------|---|
| Part | Part Number | Description |
|  | CA-5D12 | Universal Hand Crimp Tool, Size 12/16/20 (Machined contacts only) |
|  | CA-5E12 | Pneumatic Crimp Tool, Size 12/16/20 (Machined contacts only) |
|  | M300-25A | Hand Crimp Tool used with Crimp Locator MFX-3966, Size 12, 10AWG (Machined contacts only) |
|  | MFX-3966 | Contact Locator used with Hand Crimp Tool M300-25A, Size 12, 10AWG (Machined contacts only) |

| Contact Removal Tools | | |
|---|---------------|---|
| Part | Part Number | Description |
|  | ATRT-100 | Used for removal of contacts for A Series™ products |
|  | AT11-337-1205 | Contact Removal Tool, Plastic, Size 12 |
|  | A114017 | Sealing Plug, Size 12, White |

| Stamped & Formed Contacts, Sockets & Pins | | | | |
|---|--|------|-------|------------------|
| Part Number | Description | Size | AWG | Type |
| AT60-12-0244 | Male Contact - Pin, Gold-plated | 12 | 10-12 | Stamped & Formed |
| AT62-12-0244 | Female Contact - Socket, Gold-plated | 12 | 10-12 | Stamped & Formed |
| AT60-12-0222 | Male Contact - Pin, Nickel-plated | 12 | 10-12 | Stamped & Formed |
| AT62-12-0222 | Female Contact - Socket, Nickel-plated | 12 | 10-12 | Stamped & Formed |
| AT60-12-0144 | Male Contact - Pin, Gold-plated | 12 | 12-14 | Stamped & Formed |
| AT62-12-0144 | Female Contact - Socket, Gold-plated | 12 | 12-14 | Stamped & Formed |
| AT60-12-0166 | Male Contact - Pin, Nickel-plated | 12 | 12-14 | Stamped & Formed |
| AT62-12-0166 | Female Contact - Socket, Nickel-plated | 12 | 12-14 | Stamped & Formed |

| Tooling - Stamped & Formed Contacts | | |
|---|-------------|---|
| Part | Part Number | Description |
|  | MFX-3973 | Crimp Die - Size 12 (S&F contacts only) |
| | MFX-3985 | Crimp Die - Size 12 (S&F contacts only) 10-12AWG -02XX Series |
|  | ATT-12-00 | Hand Crimp Tool - Size 12, 12AWG (S&F contacts only) |
| | ATT-12-01 | Hand Crimp Tool - Size 12, 10AWG (S&F contacts only) |