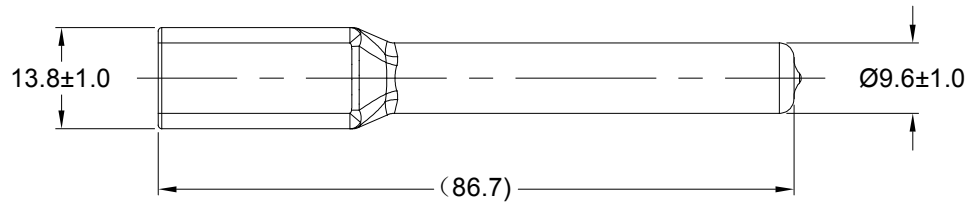
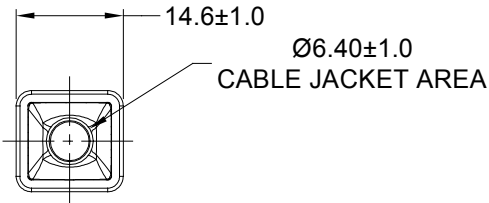
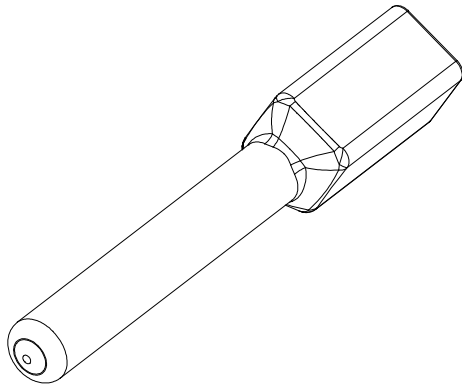


| REVISIONS | | | | | |
|-----------|-----|----------------|---------|-------|-------|
| REV | ECO | DESCRIPTION | DATE | BY | APPR |
| A1 | - | RELEASE NUMBER | 13MAR20 | BROOK | TOMMY |



| PART NUMBER CHART | |
|-------------------|-------------|
| COLOR | PART NUMBER |
| GREY | ATM2P-BT |
| BLACK | ATM2P-BT-BK |
| YELLOW | ATM2P-BT-YW |

NOTES: UNLESS OTHERWISE SPECIFIED

- THIS PART IS USED ON ATM04-2P RECEPTACLE
ANY MODIFICATION DOES NOT INCLUDE AN END CAP.
- TEMPERATURE RATING : -29°C TO +100°C [-20°F TO +212°F]
- ALL DIMENSIONS ARE FOR REFERENCE USE ONLY.

| | | | | |
|--|-----------------------|--|------------------------------|---|
| SEE PART NUMBER CHART | | REF.DTM2P-BT, DTM2P-BT-BK, DTM2P-BT-YW | | |
| PART NUMBER | | DESCRIPTION | | ITEM |
| QUANTITY | MATERIALS LIST | | | |
| UNLESS OTHERWISE SPECIFIED 1) All dimensions are in metric(mm). 2) Tolerances are as follows: 1 PL DEC ±0.30 2 PL DEC ±0.15 3 PL DEC ±0.08 Fractions ±1/64 Angles ±1° 3) Note reference = | | SIGNATURES DRAWN: BROOK.DING CHECKED: ORION.LI ENGINEER: APPROVAL: TOMMY.XIE | | DATE 13MAR20 16MAR20 17MAR20 |
| MATERIAL SPECIFICATIONS: PVC | | CUSTOMER: | | <h1>Amphenol</h1> Sine Systems - www.amphenol-sine.com 44724 Morley Drive Clinton Township, MI 48036 |
| PROCESS SPECIFICATIONS: | | THIS DRAWING IS SUPPLIED FOR INFORMATION ONLY. DESIGN FEATURES, SPECIFICATIONS AND PERFORMANCE DATA SHOWN HEREON ARE THE PROPERTY OF THE AMPHENOL CORPORATION. NO RIGHTS OF REPRODUCTION ARE IMPLIED. ALL DIMENSIONS ARE SUBJECT TO NORMAL MANUFACTURING VARIATIONS. | | |
| NEXT ASS'Y: | | SIZE A | TYPE C- | DWG NO: ATM2P-BT-XX |
| | | SCALE: NONE | REVISION A1 | |
| | | SHEET 1 OF 1 | | |