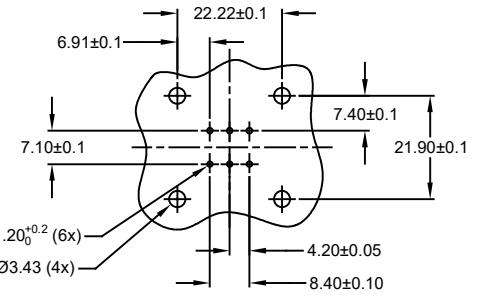
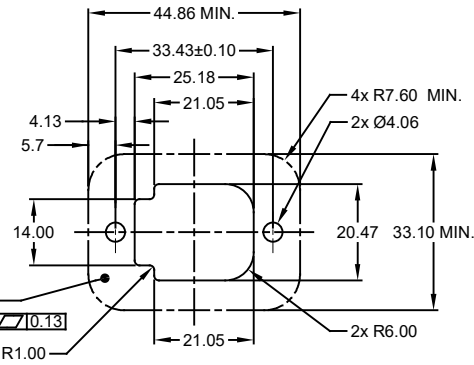
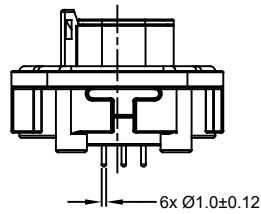
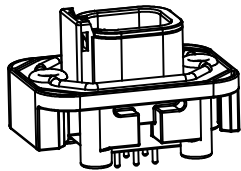
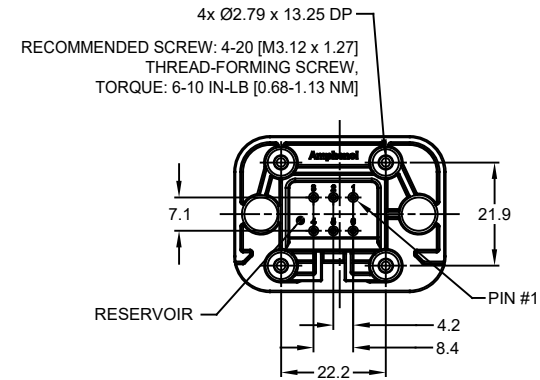
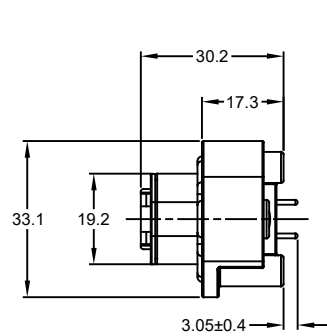
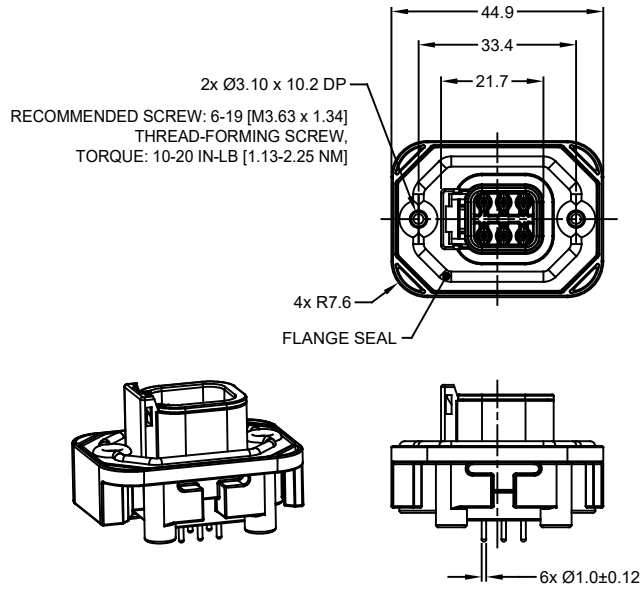


REVISIONS					
REV	ECO	DESCRIPTION	DATE	BY	APPR
A1	-	RELEASE NEW DRAWING	15JUN18	SULLEN	TOMMY
A2	-	REVISED DRAWING	10JUL20	JHEAD	DH



NOTES: UNLESS OTHERWISE SPECIFIED

- MATERIAL:
HOUSING: THERMOPLASTIC, GREY
SEAL: SILICONE RUBBER
CONTACT: COPPER ALLOY
- MODIFICATIONS: FLANGE; STRAIGHT PCB MOUNT
- SPECIFICATIONS:
3.1 CURRENT RATING: 7.5 AMPS
3.2 OPERATING TEMPERATURE: -55°C TO +125°C
3.3 DIELECTRIC WITHSTANDING VOLTAGE: LESS THAN 2 MILLIAMPS CURRENT LEAKAGE @ 1500 VOLTS AC
3.4 INSULATION RESISTANCE: 1000 MEGOHMS MIN @ 25°C
3.5 MOISTURE RESISTANCE: IP67 (MATED CONDITION)
3.6 MATING CYCLE DURABILITY: 100 CYCLES
3.7 RoHS COMPLIANT
- MATING PART: ATM06-6S* (* = ALL MODIFICATIONS)
- ALL DIMENSIONS ARE FOR REFERENCE USE ONLY
- POTTED CONNECTORS SPECIFIED FOR UP TO 5 P.S.I. APPLICATIONS.

INTERNAL SEALING SURFACE
FINISH TO BE 3.2/ OR BETTER $\sqrt{10.13}$

RECOMMENDED PANEL
CUTOUT

RECOMMENDED PCB LAYOUT
VIEW FROM COMPONENTS
SIDE OF PCB

ATM15-6P-BMXX VARIANTS		
CONTACT PLATING	POTTING OR NOT IN RESERVOIR	PART NUMBER
GOLD	NO POTTING	ATM15-6P-BM01
GOLD	POTTING	ATM15-6P-BM02
TIN	NO POTTING	ATM15-6P-BM03
TIN	POTTING	ATM15-6P-BM04

ATM15-6P-BMXX			
QUANTITY	PART NUMBER	DESCRIPTION	ITEM
<p>UNLESS OTHERWISE SPECIFIED</p> <p>1) All dimensions are in metric (mm).</p> <p>2) Tolerances are as follows:</p> <p>1 PL DEC ±0.30 Fractions ±1/64</p> <p>2 PL DEC ±0.15 Angles ±1°</p> <p>3 PL DEC ±0.08</p> <p>3) Note reference = \triangle</p>			
<p>SIGNATURES</p> <p>DRAWN: SULLENZHANG 15JUN18</p> <p>CHECKED: ORIONLI 15JUN18</p> <p>ENGINEER:</p> <p>APPROVAL: TOMMYXIE 15JUN18</p>		<p>DATE</p> <p>15JUN18</p> <p>15JUN18</p> <p>15JUN18</p>	
<p>MATERIAL SPECIFICATIONS:</p> <p>CUSTOMER:</p>		<p>Amphenol</p> <p>Sine Systems - www.amphenol-sine.com</p> <p>44724 Morley Drive</p> <p>Clinton Township, MI 48036</p>	
<p>PROCESS SPECIFICATIONS:</p> <p>NEXT ASSY:</p>		<p>BOARDLOCK PCB MOUNT RECEPTACLE, 6 PIN, STRAIGHT FLANGE, ATM SERIES</p>	
<p>SIZE</p> <p>B C-</p>		<p>DWG NO:</p> <p>ATM15-6P-BMXX</p>	
<p>SCALE</p> <p>NONE</p>		<p>REVISION</p> <p>A2</p>	
		<p>SHEET 1 OF 1</p>	

TITLE: PCB MOUNT RECEPTACLE, 6PIN, STRAIGHT FLANGE, ATM SERIES
 DWG NO: ATM15-6P-BMXX
 REV: A2
 SH: 1
 OF: 1