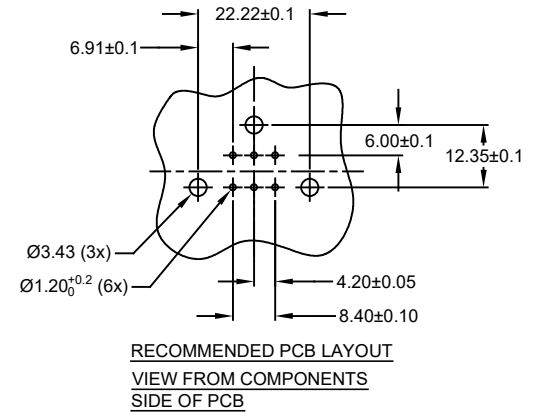
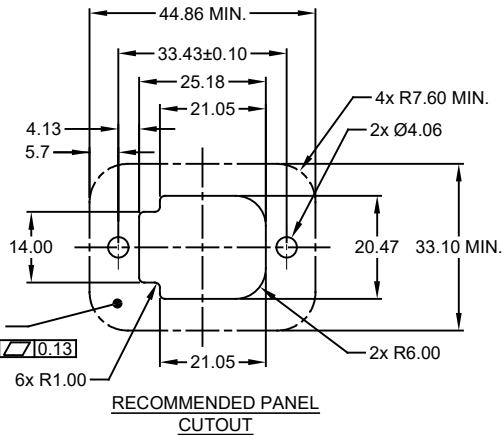
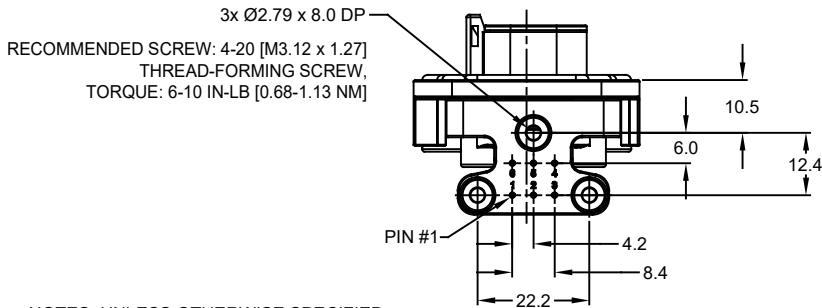
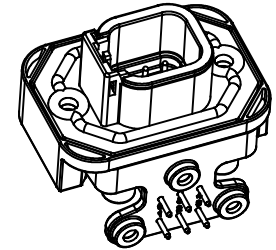
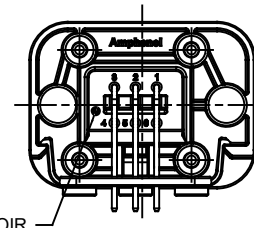
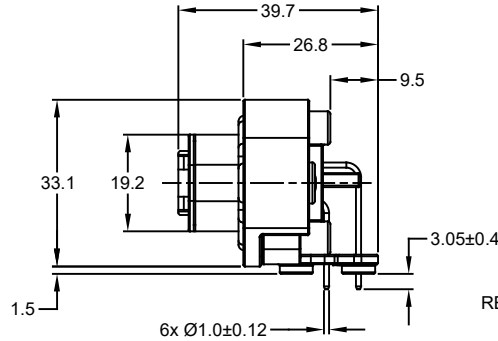
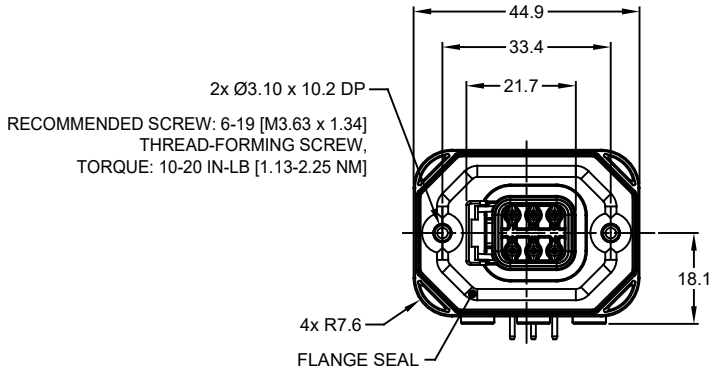


| REVISIONS | | | | | |
|-----------|-----|---------------------|---------|--------|-------|
| REV | ECO | DESCRIPTION | DATE | BY | APPR |
| A1 | - | RELEASE NEW DRAWING | 15JUN18 | SULLEN | TOMMY |
| A2 | - | REVISED DRAWING | 10JUL20 | JHEAD | DH |



NOTES: UNLESS OTHERWISE SPECIFIED

- MATERIAL:
HOUSING: THERMOPLASTIC, GREY
SEAL: SILICONE RUBBER
CONTACT: COPPER ALLOY
- MODIFICATIONS: FLANGE; RA PCB MOUNT
- SPECIFICATIONS:
3.1 CURRENT RATING: 7.5 AMPS
3.2 OPERATING TEMPERATURE: -55°C TO +125°C
3.3 DIELECTRIC WITHSTANDING VOLTAGE: LESS THAN 2 MILLIAMPS CURRENT LEAKAGE @ 1500 VOLTS AC
3.4 INSULATION RESISTANCE: 1000 MEGOHMS MIN @ 25°C
3.5 MOISTURE RESISTANCE: IP67 (MATED CONDITION)
3.6 MATING CYCLE DURABILITY: 100 CYCLES
3.7 RoHS COMPLIANT
- MATING PART: ATM06-6S* (* = ALL MODIFICATIONS)
- ALL DIMENSIONS ARE FOR REFERENCE USE ONLY
- POTTED CONNECTORS SPECIFIED FOR UP TO 5 P.S.I. APPLICATIONS.

| ATM13-6P-BMXX VARIANTS | | |
|------------------------|-----------------------------|---------------|
| CONTACT PLATING | POTTING OR NOT IN RESERVOIR | PART NUMBER |
| GOLD | NO POTTING | ATM13-6P-BM01 |
| GOLD | POTTING | ATM13-6P-BM02 |
| TIN | NO POTTING | ATM13-6P-BM03 |
| TIN | POTTING | ATM13-6P-BM04 |

| ATM13-6P-BMXX | | | | |
|---------------------------------------|--|--------------|-----------------------|--------------|
| PART NUMBER | | DESCRIPTION | | ITEM |
| QUANTITY | MATERIALS LIST | | | |
| UNLESS OTHERWISE SPECIFIED | SIGNATURES | DATE | | |
| 1) All dimensions are in metric (mm). | DRAWN: SULLEN, ZHANG | 15JUN18 | | |
| 2) Tolerances are as follows: | CHECKED: ORION, LI | 15JUN18 | | |
| 1 PL DEC ±0.30 | ENGINEER: | | | |
| 2 PL DEC ±0.15 | APPROVAL: TOMMY, XIE | 15JUN18 | | |
| 3 PL DEC ±0.08 | CUSTOMER: | | | |
| 3) Note reference = | THIS DRAWING IS SUPPLIED FOR INFORMATION ONLY. DESIGN FEATURES, SPECIFICATIONS AND PERFORMANCE DATA SHOWN HEREON ARE THE PROPERTY OF THE AMPHENOL CORPORATION. NO RIGHTS OF REPRODUCTION ARE IMPLIED. ALL DIMENSIONS ARE SUBJECT TO NORMAL MANUFACTURING VARIATIONS. | | | |
| MATERIAL SPECIFICATIONS: | Sine Systems - www.amphenol-sine.com 44724 Morley Drive Clinton Township, MI 48036 | | | |
| PROCESS SPECIFICATIONS: | BOARDLOCK PCB MOUNT RECEPTACLE, 6 PIN, RA FLANGE, ATM SERIES | | | |
| NEXT ASSY: | SIZE: B | TYPE: C- | DWG NO: ATM13-6P-BMXX | REVISION: A2 |
| | SCALE: NONE | SHEET 1 OF 1 | | |

TITLE: PCB MOUNT RECEPTACLE, 6 PIN, RA FLANGE, ATM SERIES
DWG NO: ATM13-6P-BMXX
REV: A2
SH: 1
OF: 1